

ALIGNMENT

THE RAMP ALIGNMENT AND STATIONING SHOWN IN THIS PLAN WAS BASED UPON ORIGINAL CONSTRUCTION PLANS (LAK-1-2.16). THE ORIGINAL CONSTRUCTION PLANS ARE AVAILABLE FOR REVIEW AT THE DISTRICT 12 HEADQUARTERS:

DISTRICT 12 - MAP ROOM
5500 TRANSPORTATION BOULEVARD
GARFIELD HEIGHTS, OHIO 44125
(216)581-2100

UTILITIES

LISTED BELOW ARE ALL UTILITIES LOCATED WITHIN THE PROJECT CONSTRUCTION LIMITS TOGETHER WITH THEIR RESPECTIVE OWNERS:

ODOT D-12
5500 TRANSPORTATION BOULEVARD
GARFIELD HEIGHTS, OHIO 44125
ATTN: DENNIS KRATCHOVIL
(216)581-2100 EXT. 335

THERE ARE NO UNDERGROUND UTILITIES SHOWN ON THIS PLAN. THE NATURE OF THE WORK REQUIRED BY THIS PROJECT WILL NOT AFFECT ANY KNOWN UNDERGROUND UTILITIES THAT EXIST UNDER OR ADJACENT TO THE WORK AREA.

CONVERSION OF METRIC STANDARD DRAWINGS

THE METRIC STANDARD DRAWINGS REFERENCED IN THIS PLAN SHALL BE CONVERTED TO ENGLISH UNITS USING THE SI (METRIC) TO ENGLISH CONVERSION FACTORS PROVIDED IN SECTION 109.011 OF THE 1997 CONSTRUCTION AND MATERIAL SPECIFICATIONS. THE APPENDIX OF ASTM E 380 SHALL BE UTILIZED FOR ANY ADDITIONAL CONVERSION FACTORS REQUIRED. CONVERSIONS SHALL BE APPROPRIATELY PRECISE AND SHALL REFLECT STANDARD INDUSTRY ENGLISH VALUES WHERE SUITABLE.

ITEM SPECIAL - FACILITIES, MISC.: LIQUID CALCIUM STORAGE SYSTEM

ALL LABOR AND MATERIAL (INCLUDING: PAVEMENT PLANING, CONCRETE PAD WITH WIRE FABRIC, ELECTRIC SERVICE, PUMP(S), TANKS, ETC.) NECESSARY TO INSTALL A LIQUID CALCIUM STORAGE SYSTEM ACCORDING TO THE DETAILS IN THESE PLANS SHALL BE INCLUDED FOR PAYMENT UNDER:

ITEM SPECIAL-FACILITIES, MISC.:
LIQUID CALCIUM STORAGE SYSTEM LUMP SUM

REVIEW OF DRAINAGE FACILITIES

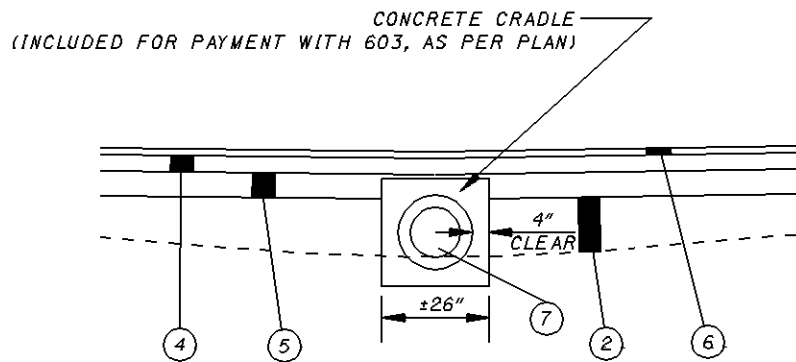
BEFORE ANY WORK IS STARTED ON THE PROJECT AND AGAIN BEFORE FINAL ACCEPTANCE BY THE STATE, REPRESENTATIVES OF THE STATE AND THE CONTRACTOR, ALONG WITH LOCAL REPRESENTATIVES, SHALL MAKE AN INSPECTION OF ALL EXISTING SEWERS WHICH ARE TO REMAIN IN SERVICE AND WHICH MAY BE AFFECTED BY THE WORK. THE CONDITION OF THE EXISTING CONDUITS AND THEIR APPURTENANCES SHALL BE DETERMINED FROM FIELD OBSERVATIONS. RECORDS OF THE INSPECTION SHALL BE KEPT IN WRITING BY THE STATE.

ALL NEW CONDUITS, INLETS, CATCH BASINS, AND MANHOLES CONSTRUCTED AS A PART OF THE PROJECT SHALL BE FREE OF ALL FOREIGN MATTER AND IN A CLEAN CONDITION BEFORE THE PROJECT WILL BE ACCEPTED BY THE STATE.

ALL EXISTING SEWERS INSPECTED INITIALLY BY THE ABOVE MENTIONED PARTIES SHALL BE MAINTAINED AND LEFT IN A CONDITION REASONABLY COMPARABLE TO THAT DETERMINED BY THE ORIGINAL INSPECTION. ANY CHANGE IN THE CONDITION RESULTING FROM THE CONTRACTOR'S OPERATIONS SHALL BE CORRECTED BY THE CONTRACTOR TO THE SATISFACTION OF THE ENGINEER.

PAYMENT FOR ALL OPERATIONS DESCRIBED ABOVE SHALL BE INCLUDED IN THE CONTRACT PRICE FOR THE PERTINENT 603 PAY ITEMS.

ITEM 603 - 12" CONDUIT, TYPE B 706.02, AS PER PLAN



603 - 12" CONDUIT, TYPE B 706.02, AS PER PLAN

ITEM 203-EXCAVATION, NOT INCLUDING EMB. CONST.

X-OVER (1338 SF)(5.75"/12)(1/27) = 24 CY

ITEM 203-EMBANKMENT

X-OVER (1040 SF)(6.5"/12)(1/27) = 21 CY
DOME PAD (108)(10)(3)(6"/12)(1/27) = 60 CY
TOTAL = 81 CY

ITEM 254-PAVEMENT PLANING, BITUMINOUS

DOME PAD (15)(108)(1/9) = 180 SY

ITEM 301-4" BIT. AGG. BASE, PG64-22

X-OVER (2340 SF)(4"/12)(1/27) = 29 CY
DOME PAD (37)(7"/12)(108)(1/27) = 86 CY
TOTAL = 115 CY

ITEM 304-6" AGG. BASE

X-OVER (2340 SF)(6"/12)(1/27) = 44 CY

ITEM 448-1.5" ASPHALT SURF., TYPE I, PG64-28

X-OVER (2340 SF)(1.5"/12)(1/27) = 11 CY
DOME PAD (11320 SF)(1.5"/12)(1/27) = 52 CY
TOTAL = 63 CY

ITEM 603-12" CONDUIT, TYPE B 706.02, AS PER PLAN

X-OVER (28)+(20) = 48 FT

ITEM 659-SEEDING AND MULCHING

DOME PAD (108)(3)(10)(1/9) = 360 SY
ADD FOR MEDIAN X-OVER = 25 SY
TOTAL = 385 SY

I:\PROJECTS\PIF20817\dgn\20817gna.dgn 30-DEC-1999 8:58AM jgrmovse

CALCULATED
CHECKED

GENERAL NOTES / QUANTITY CALCULATIONS

LAK-90-4.12