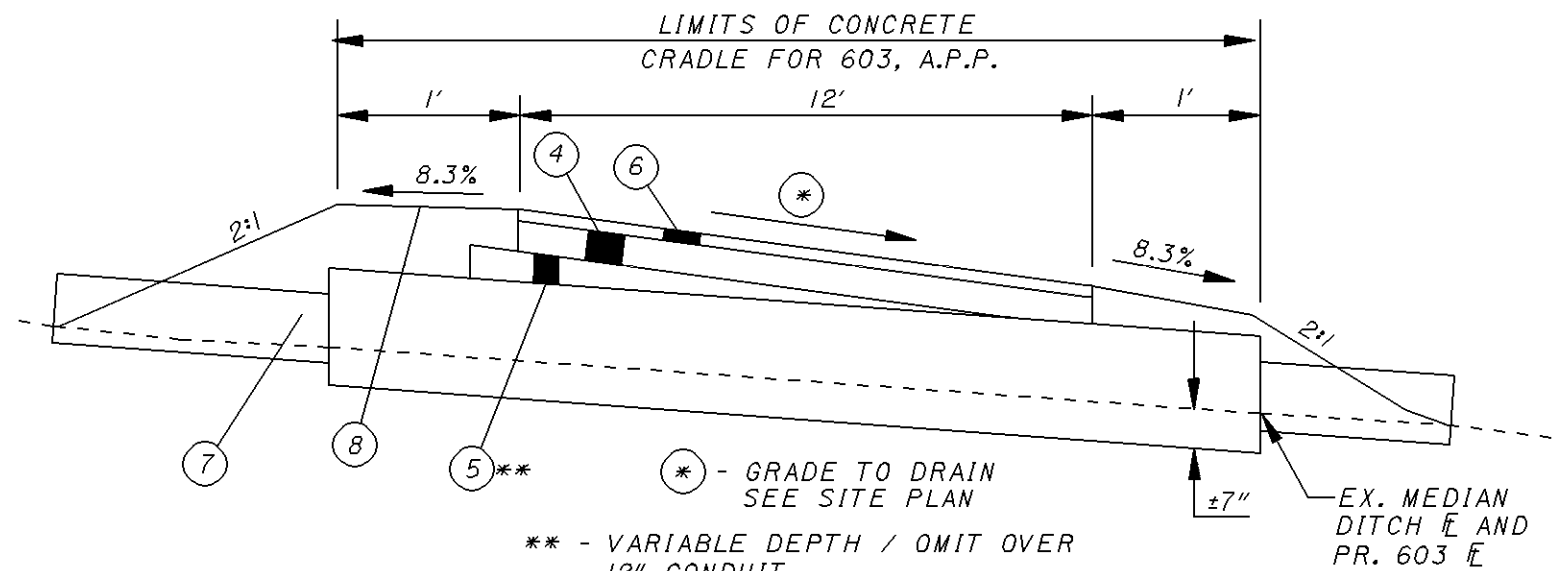


**GRASS MEDIAN CROSS-OVER
PROFILE VIEW**

EXISTING LEGEND

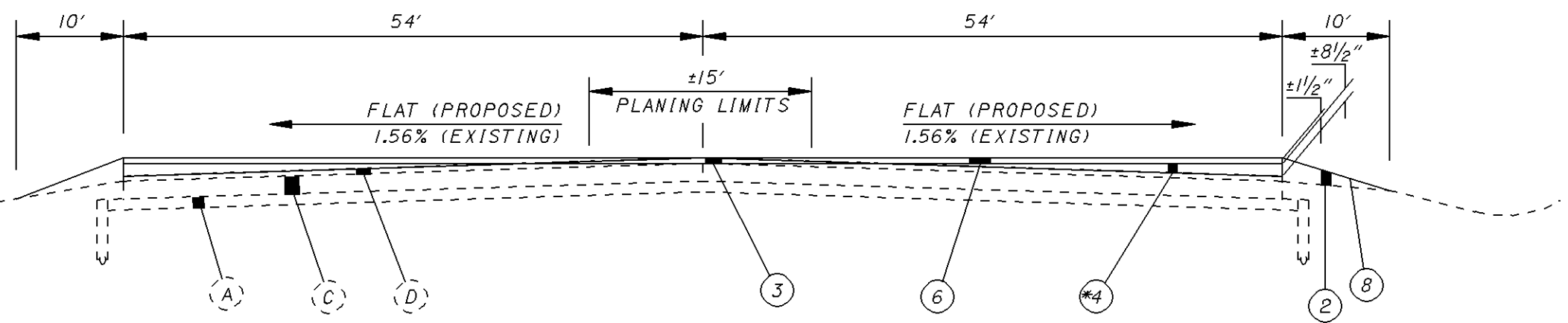
- (A) 10" REINFORCED CONCRETE
- (B) 8" BITUMINOUS STABILIZED AGGREGATE
- (C) SUBBASE (VARIABLE DEPTH)
- (D) 3" ASPHALT OVERLAY



SECTION THROUGH CROSS-OVER

PROPOSED LEGEND

- (1) ITEM 203 - EXCAVATION, NOT INCLUDING EMBANKMENT CONSTRUCTION
- (2) ITEM 203 - EMBANKMENT
- (3) ITEM 254 - PAVEMENT PLANING, BITUMINOUS (1/2" MAX)
- (4) ITEM 301 - 4" BITUMINOUS AGGREGATE BASE, PG64-22
- (5) ITEM 304 - 6" AGGREGATE BASE
- (6) ITEM 448 - 1/2" ASPHALT CONCRETE SURFACE COURSE, TYPE 1, PG64-28
- (7) ITEM 603 - 12" CONDUIT, TYPE B 706.02, AS PER PLAN
- (8) ITEM 659 - SEEDING AND MULCHING



DOME PAD

* - VARIABLE THICKNESS PAVEMENT COURSES

I:\PROJECTS\PIF20817\dgn\20817gva.dgn 30-DEC-1999 8:57AM jgrmovse