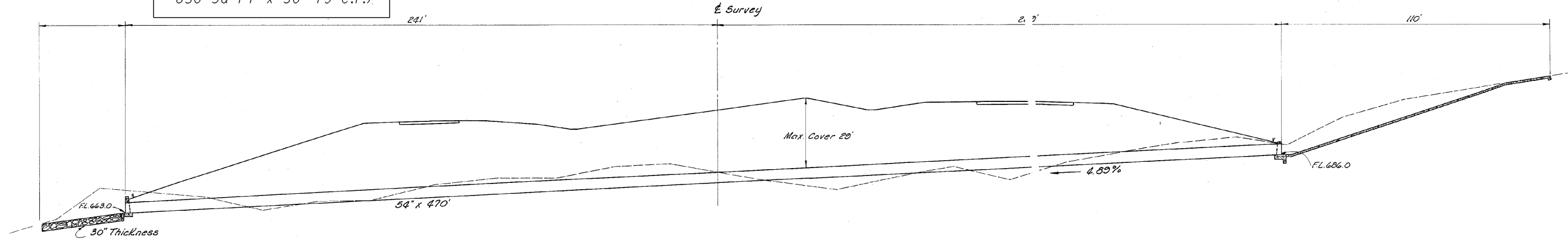
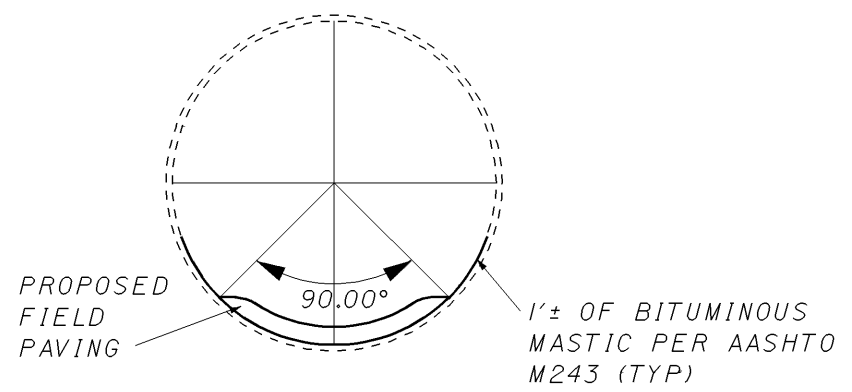


ITEM 601-RCP, TYPE A WITH FABRIC FILTER, AS PER PLAN (APPROX. QUANTITY: 850 SQ FT x 30"=79 C.Y.)



EXISTING CONDUIT INFORMATION
 TYPE: Pipe Culvert S-27 Sec. M-6.4(d) Gage 8, Type "B-1" Headwall
 SIZE: 54" x 470' Pipe shall be Shop Deformed to produce and maintain a 5% Vertical Elongation.



FIELD PAVING OF EXISTING PIPE, AS PER PLAN 'A'
EXISTING 54" CONDUIT

Hydraulic Design Data:	
Drainage Area: 74 Acres	
Q50:	113 cfs
HW50:	5.1 ft
V50:	12.9 fps
Q100:	133 cfs
HW100:	5.8 ft
V100:	13.6 fps

I:\PROJECTS\1529\dgn\21529dfo.dgn 23-JAN-2001 7:56AM jgrmovse