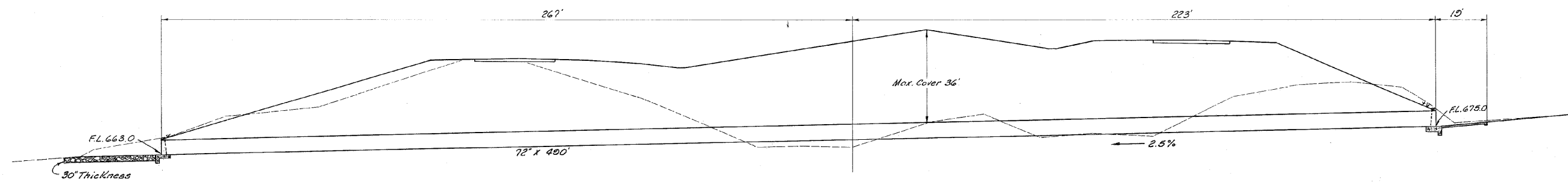
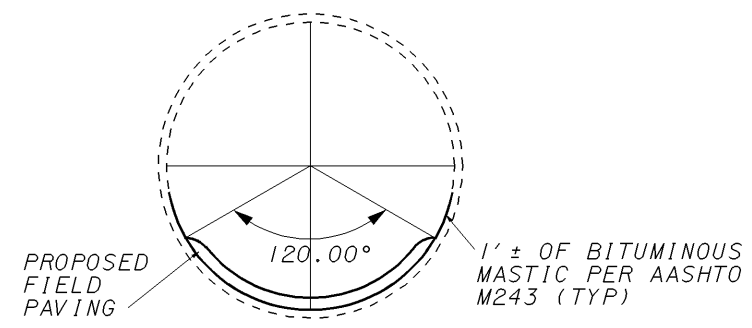


EMBANKMENT WORK  
SEE GENERAL NOTE  
ON SHEET 3

ITEM 601-RCP, TYPE A  
WITH FABRIC FILTER,  
AS PER PLAN  
(APPROX. QUANTITY:  
850 SQ FT x 30"=79 C.Y.)



TYPE: Pipe Culvert 3-28 Sec. M-6.4(g) Gage 10-8 Type 'B1' Hdwl' Lt.  
Type 'B1' Special Lt.  
SIZE: 72" x 490'



FIELD PAVING OF EXISTING PIPE, AS PER PLAN 'B'  
REPAIR OF 72" CONDUIT

Hydraulic Design Data:	
Drainage Area: 250 Acres	
Q50:	293 cfs
HW50:	8.2 ft
V50:	13.2 fps
Q100:	347 cfs
HW100:	9.9 ft
V100:	13.4 fps

I:\PROJECTS\1121529\dgn\21529dfb.dgn 23-JAN-2001 9:26AM jgrmovse