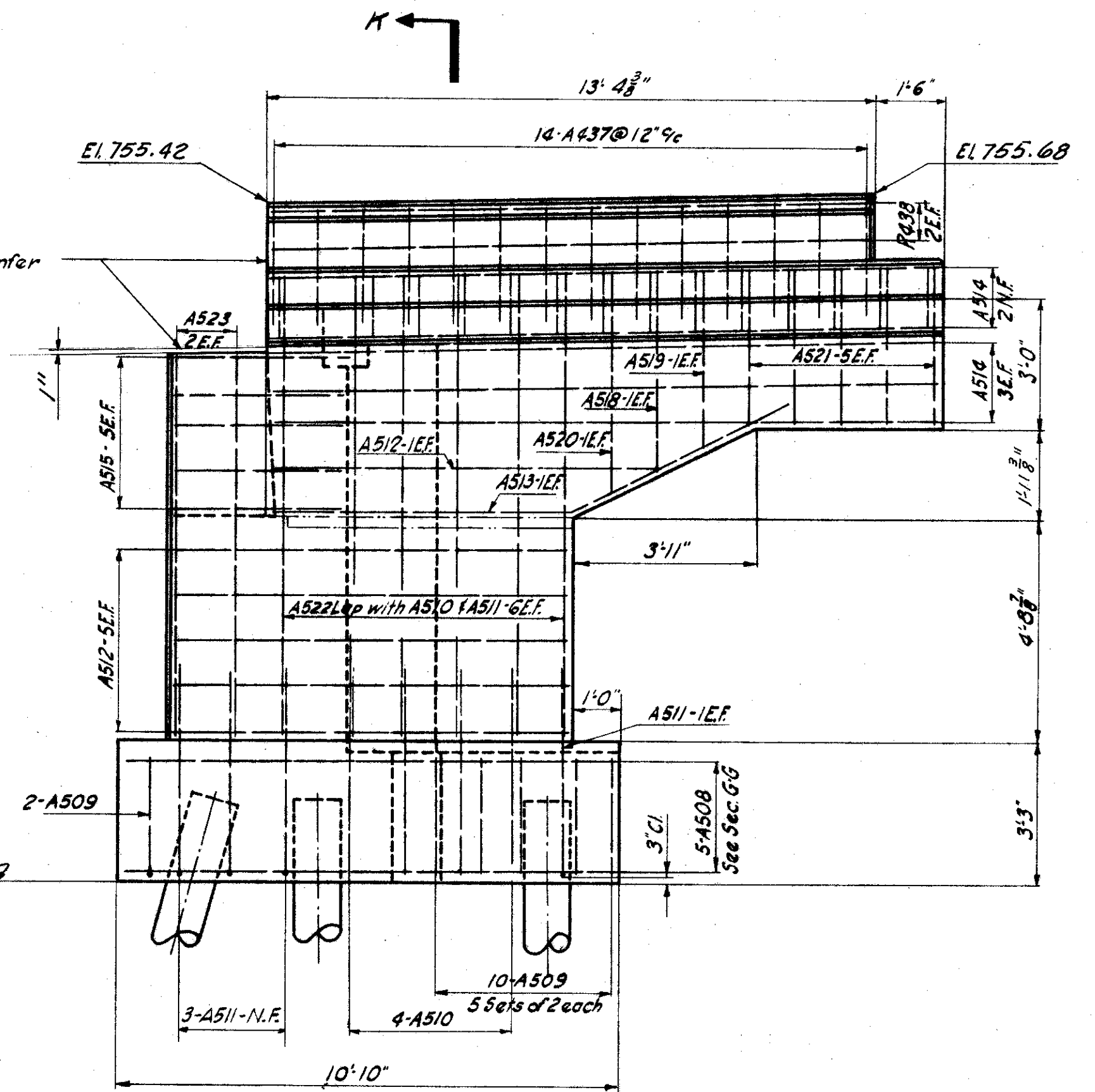
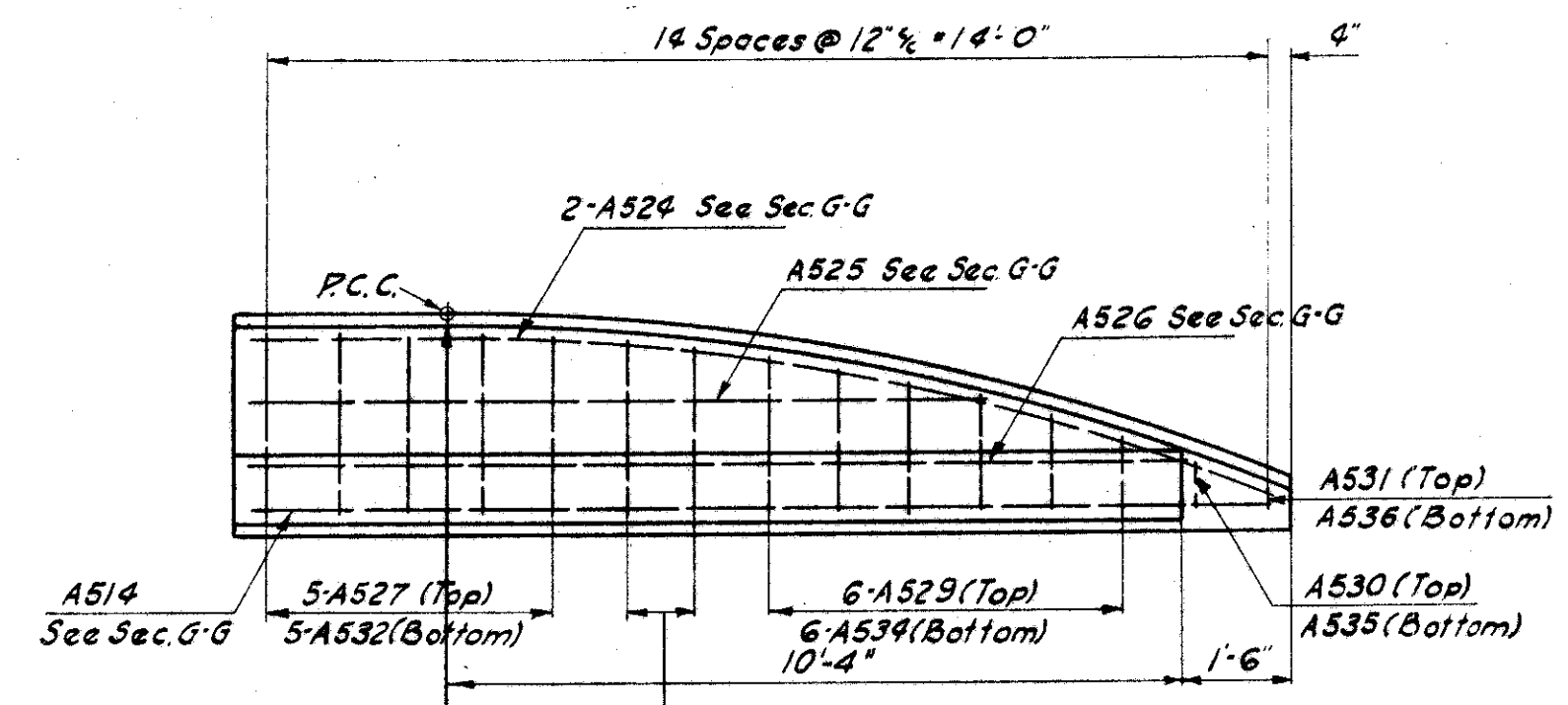


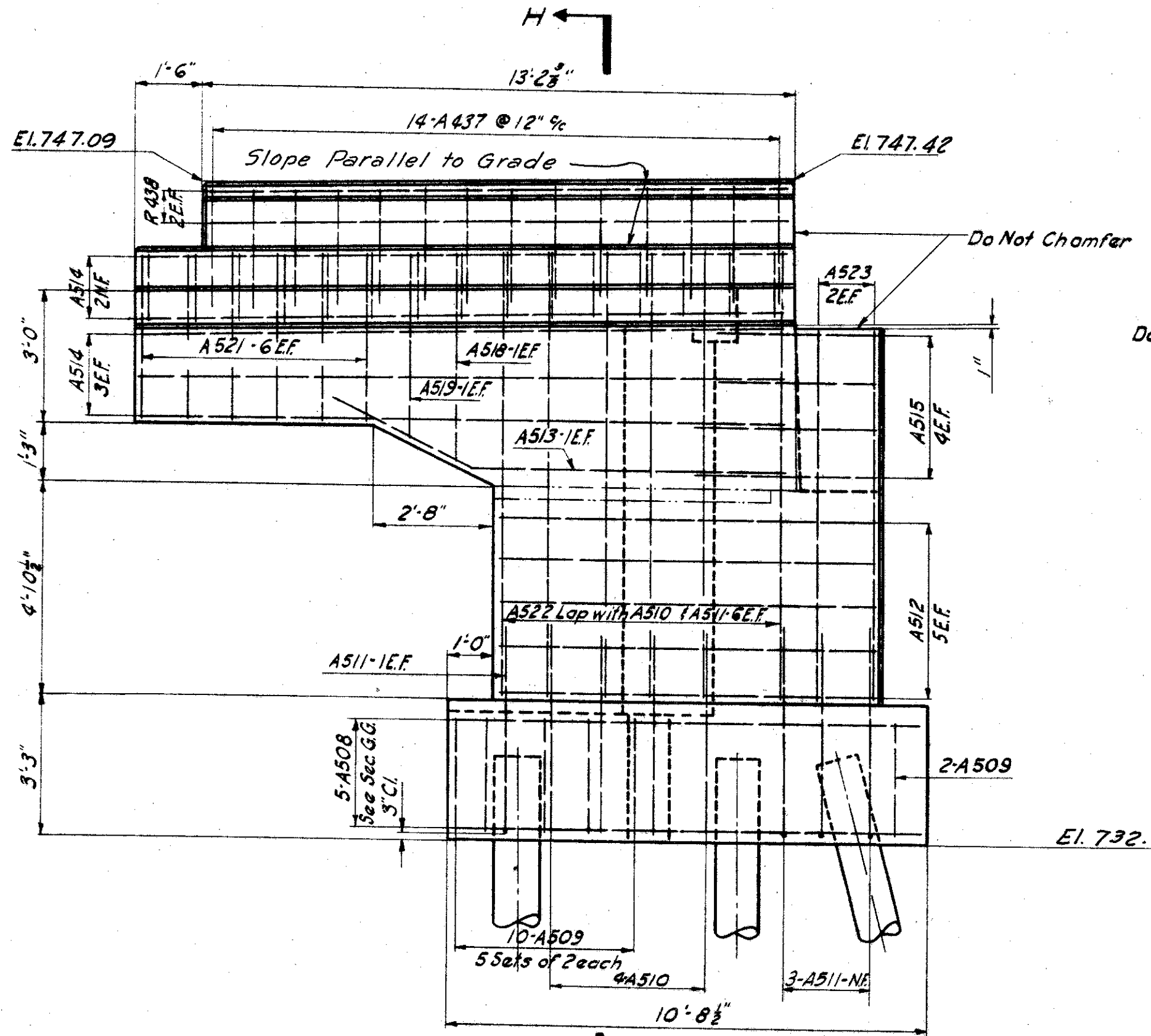
**WINGWALL ELEVATION C-C**  
Abutment No.1



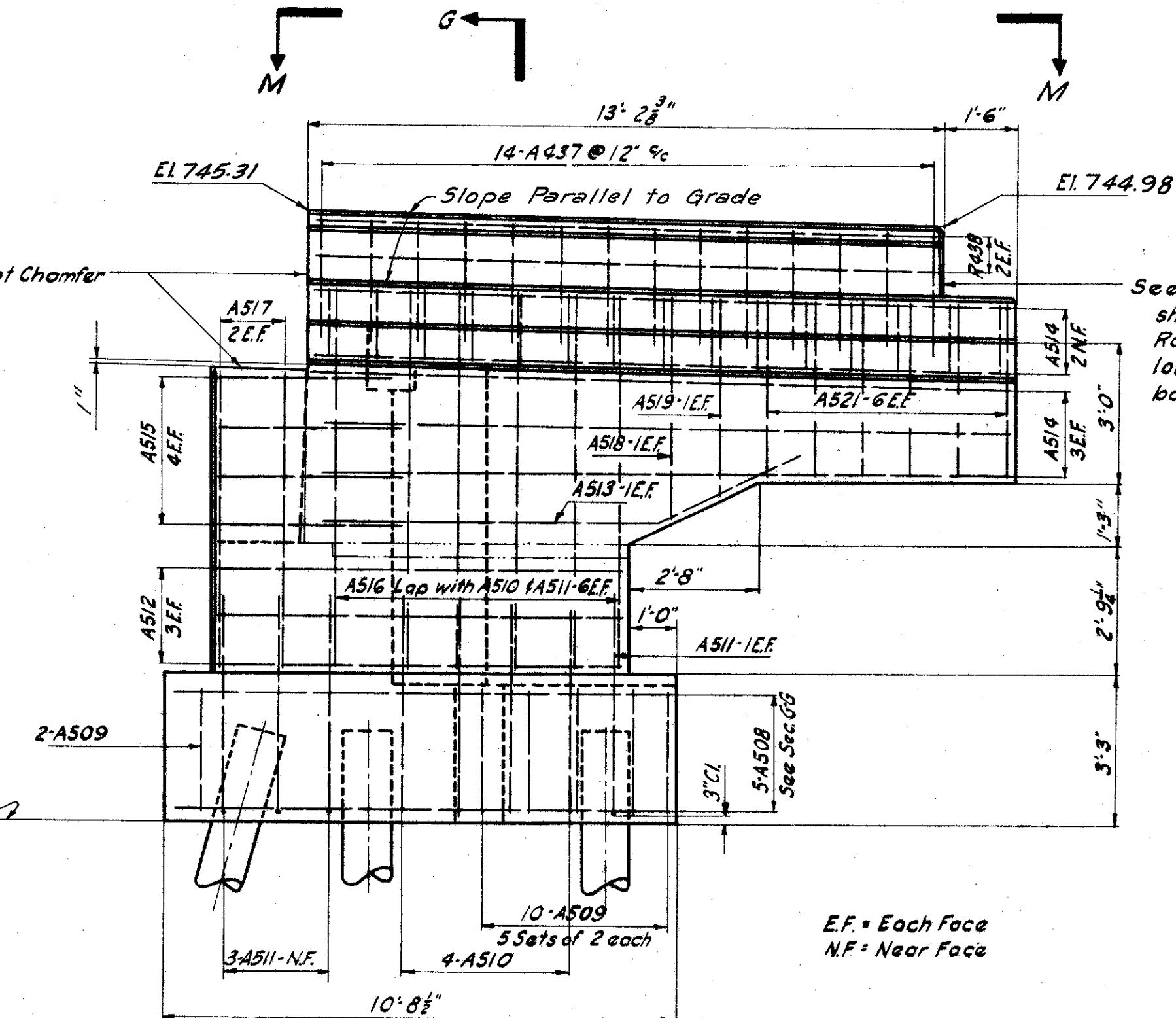
**WINGWALL ELEVATION B-B**  
Abutment No.1



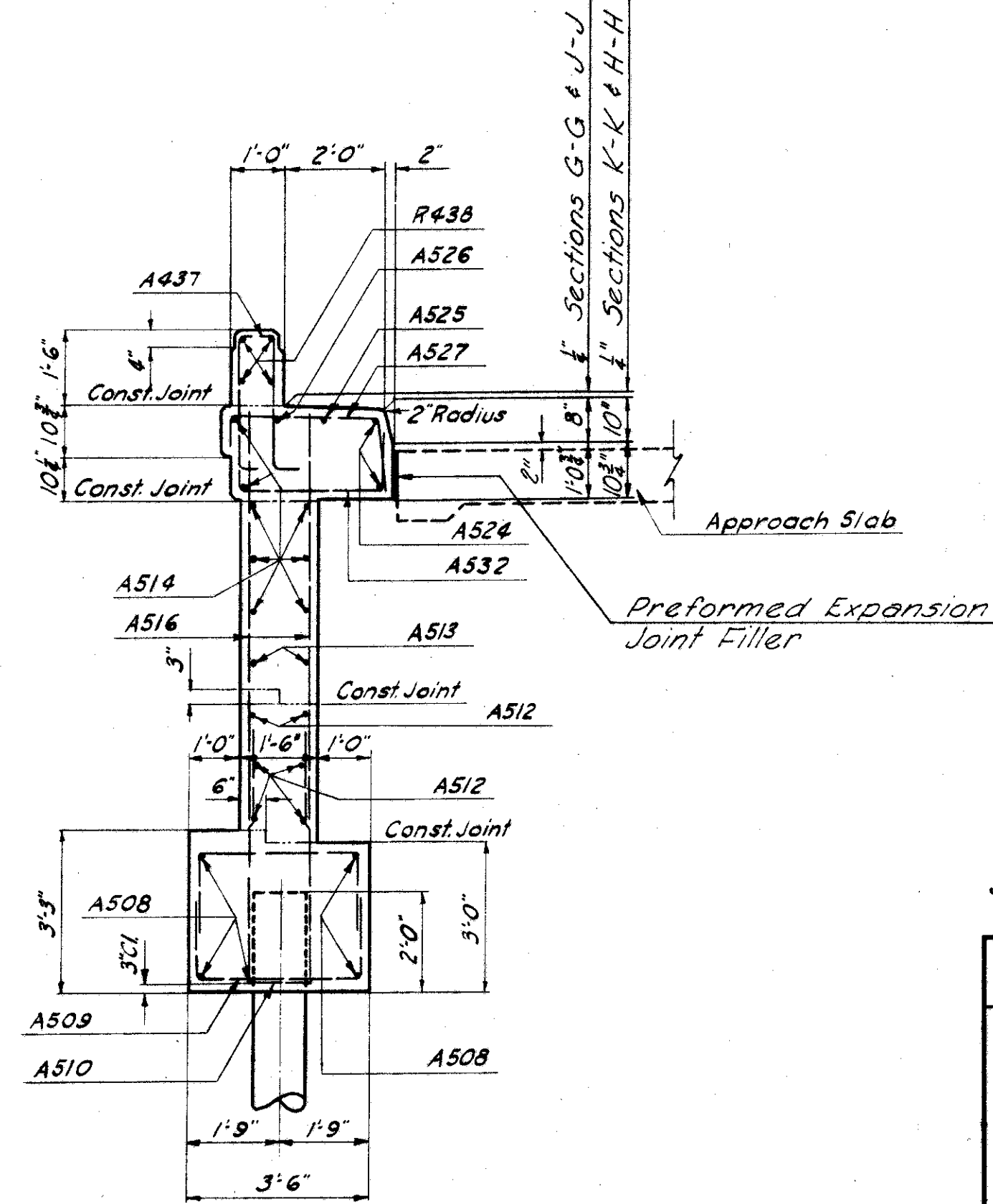
**VIEW M-M**



**WINGWALL ELEVATION E-E**  
Abutment No.2



**WINGWALL ELEVATION D-D**  
Abutment No.2



**SECTION G-G**  
Sections H-H, J-J, and K-K Similar

This sheet supersedes sheet 309. 3-21-60.

MICHAEL BAKER JR. CONSULTING ENGINEERS ROCHESTER, PENNSYLVANIA					
<b>ABUTMENT NO.18 &amp; NO.2</b>					
<b>WINGWALL ELEVATION &amp; SECTION</b>					
BRIDGE NO. LAK-1-0665 UNDER STATE ROUTE 306					
LAKE COUNTY			STA. 358+74.33		
Designed	Drawn	Traced	Checked	Reviewed-Date	Revised
C.R.J.	B.C.W.	r.b.m.	J.V.W.	W.R.B. 4-28-58	3-14-60