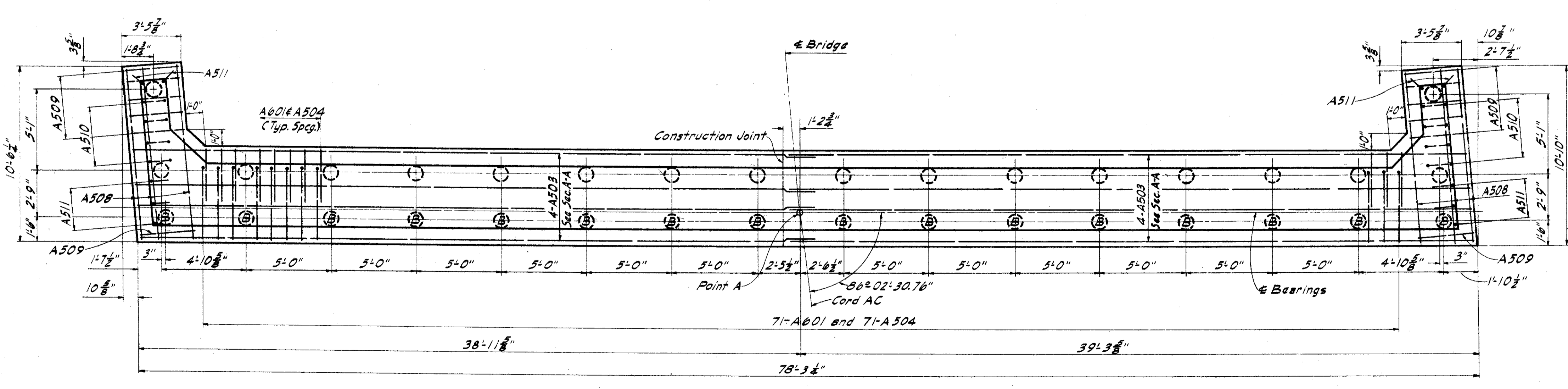
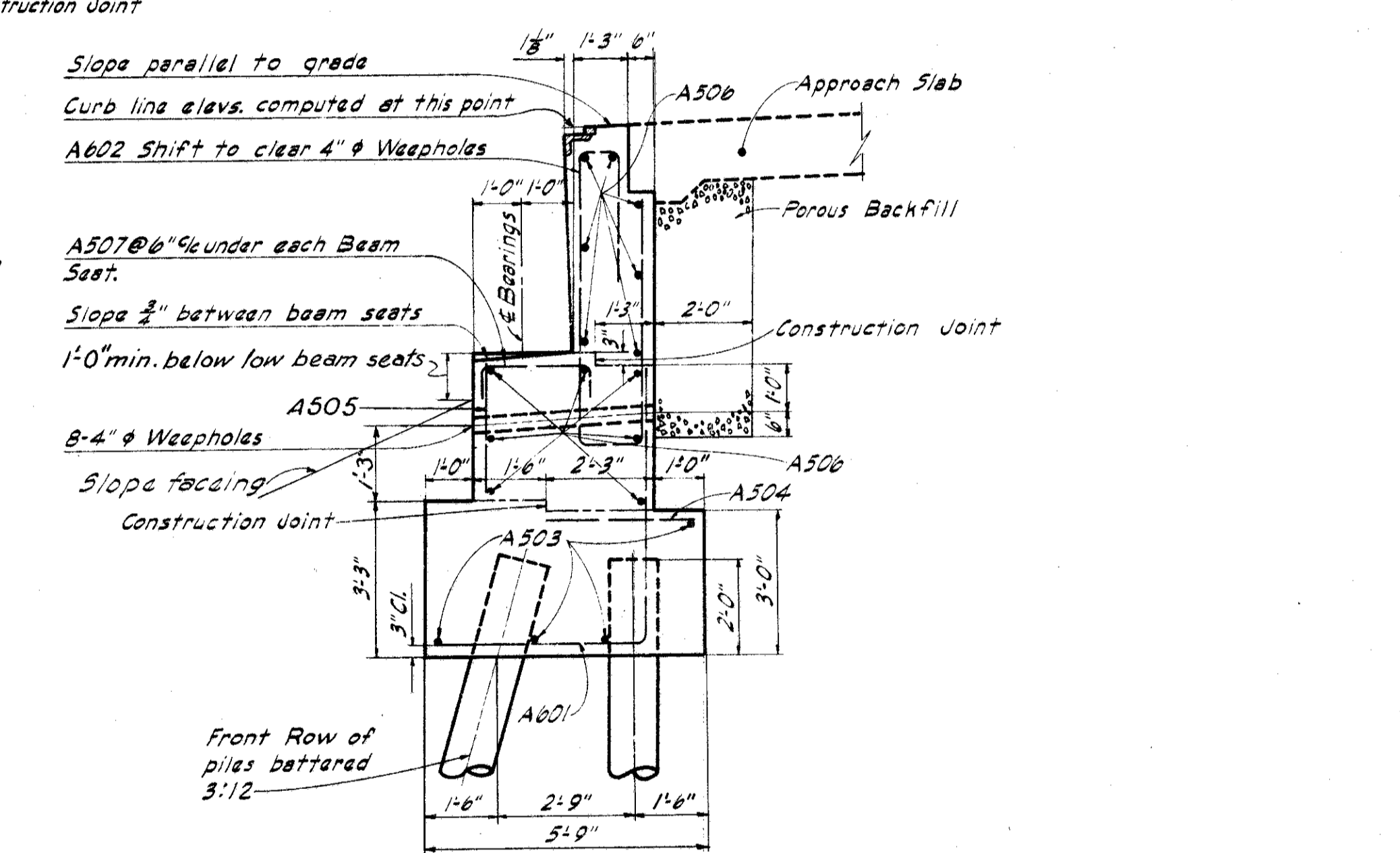
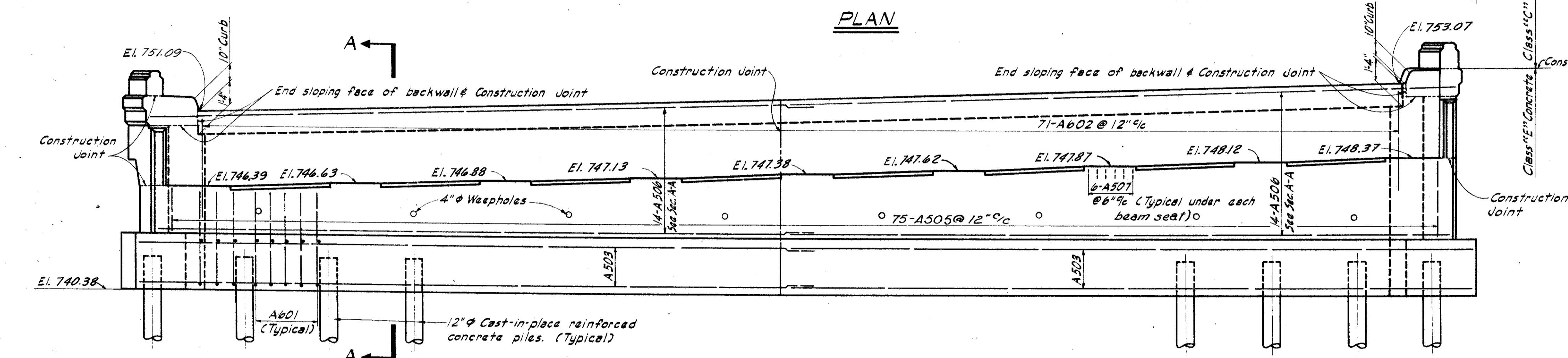
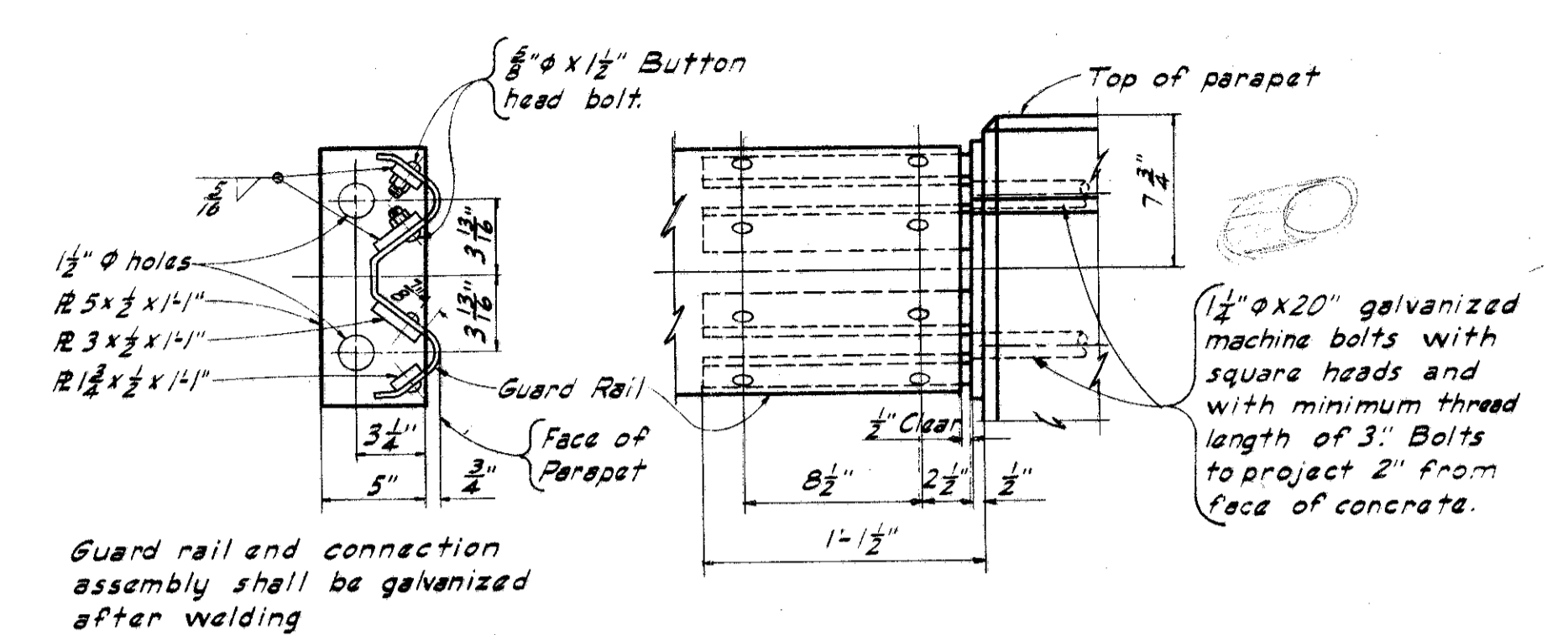
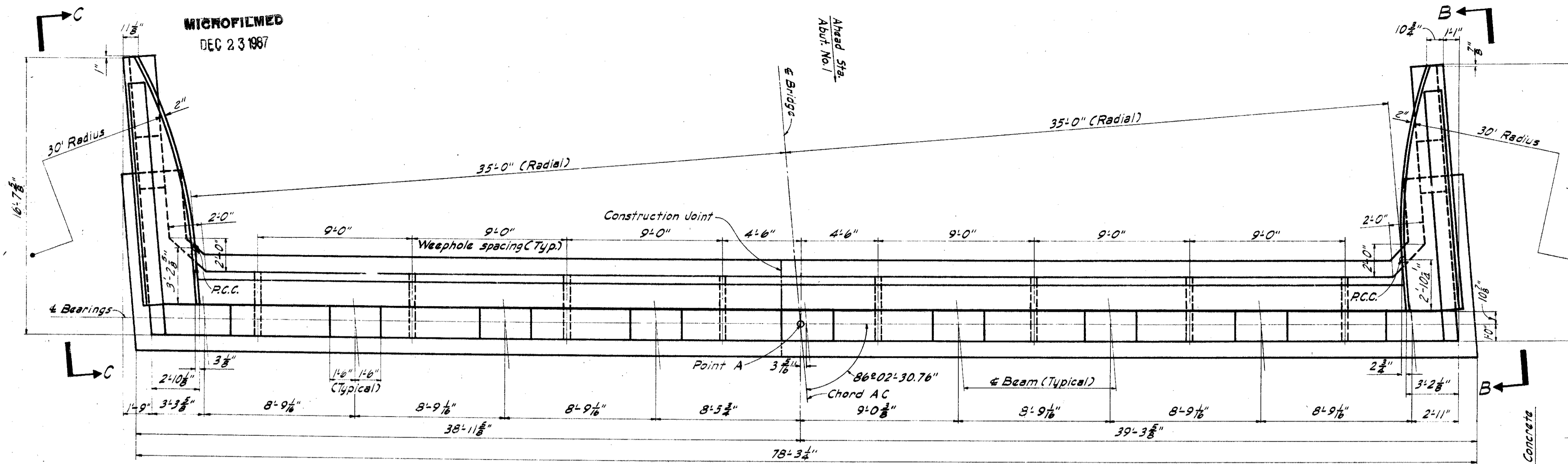


FED. RD. DIVISION	STATE	PROJECT	TYPE FUNDS
2	OHIO	I-1103(20)	

307s
333

LAKE COUNTY
LAK-1-4.02



See "Abutment No. 2" sheet for Notes.

This sheet supersedes sheet 307. 3-21-60.

Work this sheet with "Abutments No. 1 & No. 2 Wingwall Elevations and Sections" sheet.

MICHAEL BAKER JR. CONSULTING ENGINEERS
ROCHESTER, PENNSYLVANIA

ABUTMENT NO. 1
BRIDGE NO. LAK-1-0665
UNDER STATE ROUTE 306

LAKE COUNTY STA. 358+74.33

Designed	Drawn	Traced	Checked	Reviewed-Date	Revised
C.P.U.	E.F.T.	E.F.T.	J.V.W.	N.P.B. 4-28-58	3-14-60