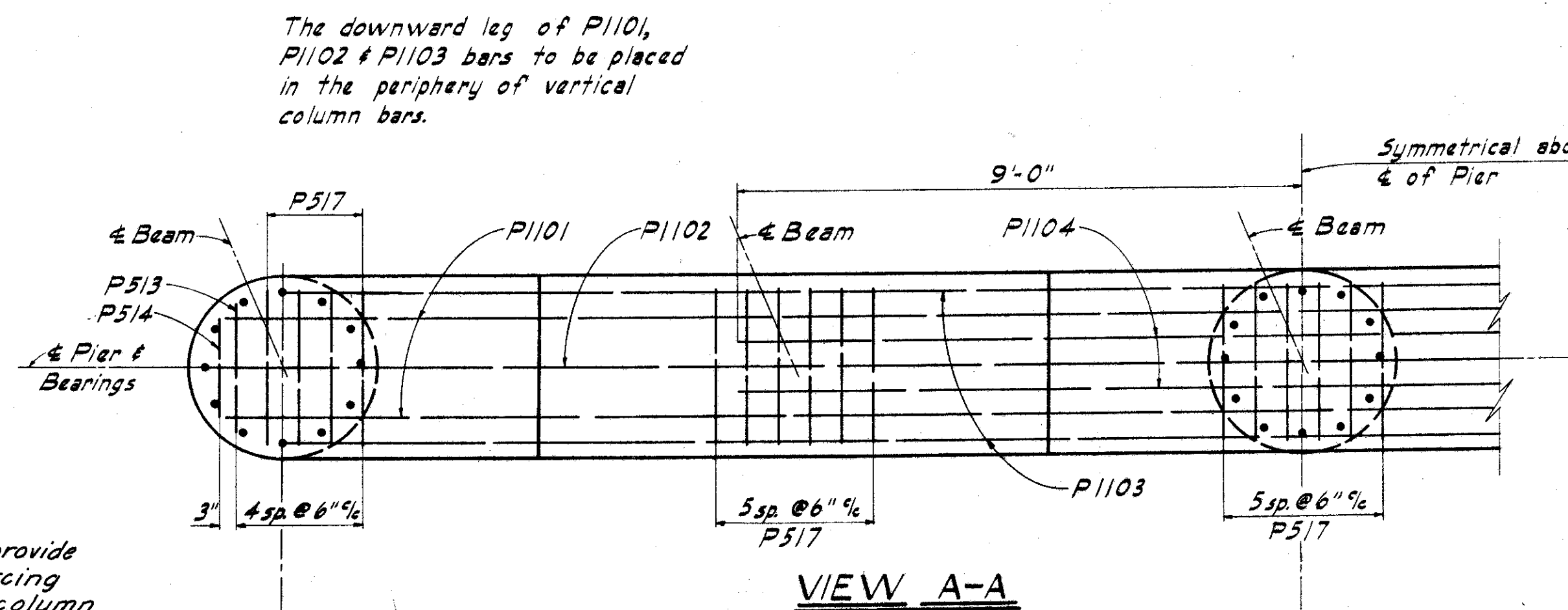
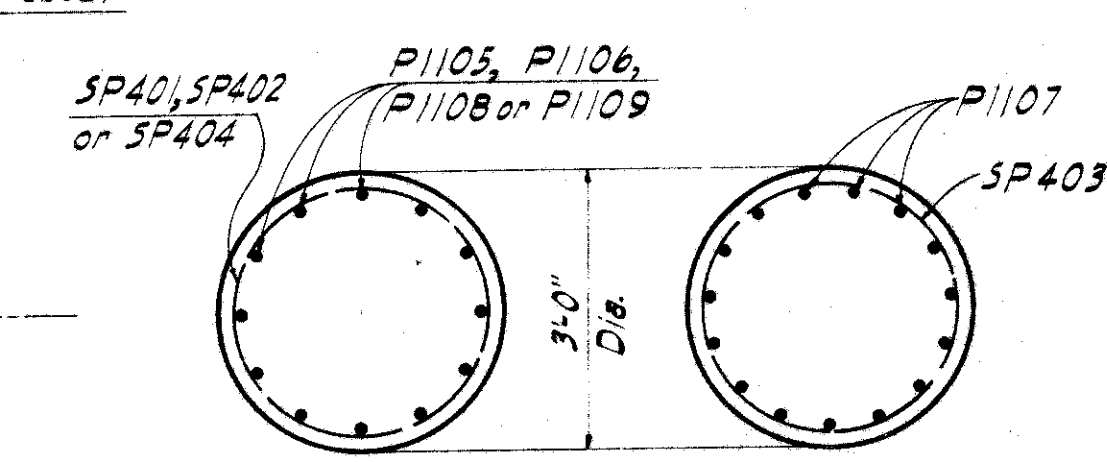


PIER CAP PLAN

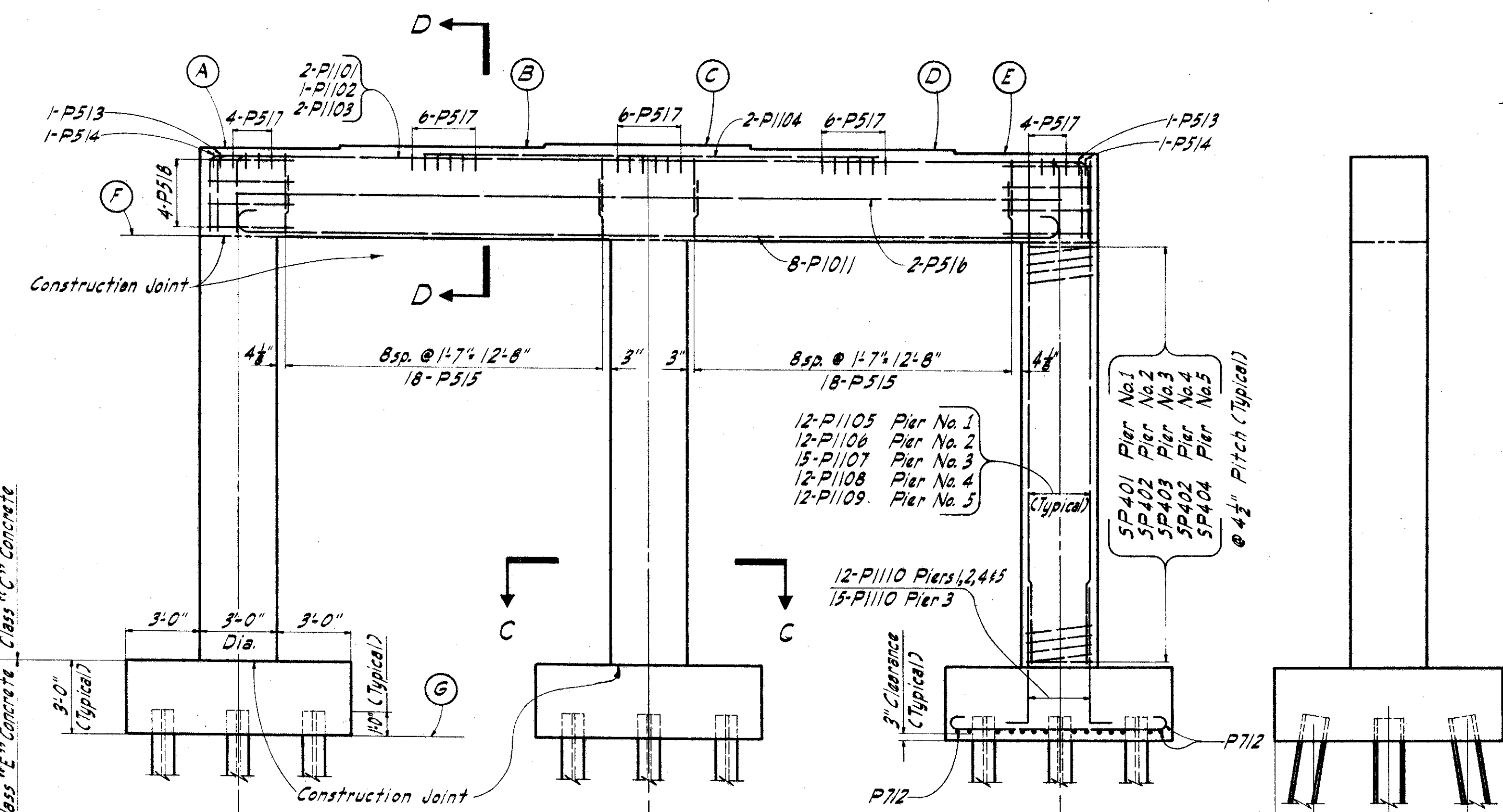
NOTE:
For revised Pier height provide 189-#11 x 5'-0" long Reinforcing Bars to lap with vertical column bars.
The length of Spiral bars to be increased to required change in height.



VIEW A-A

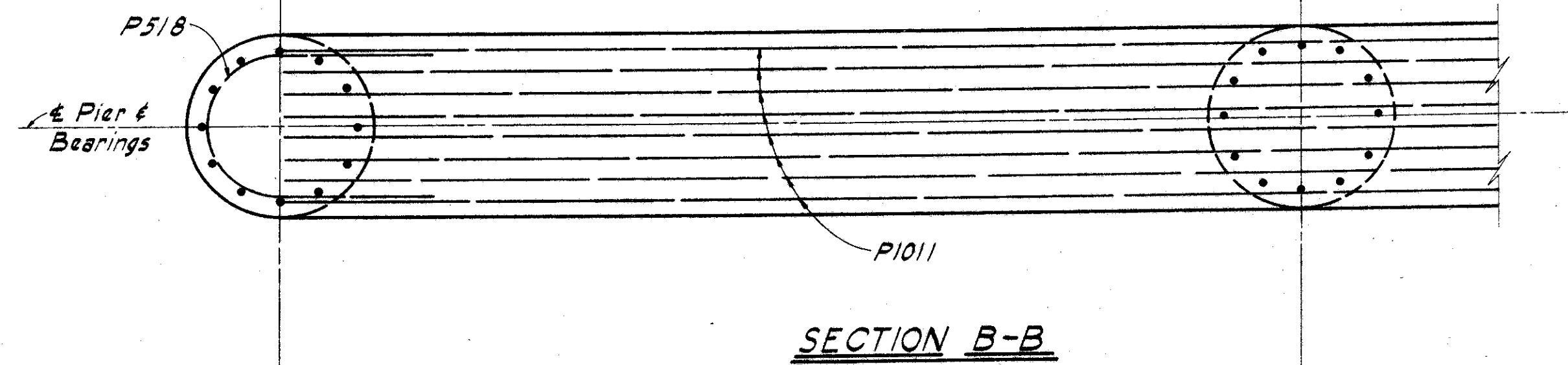


SECTION C-C
(For Piers No. 1,2,4&5) **SECTION C-C**
(For Pier No. 3)

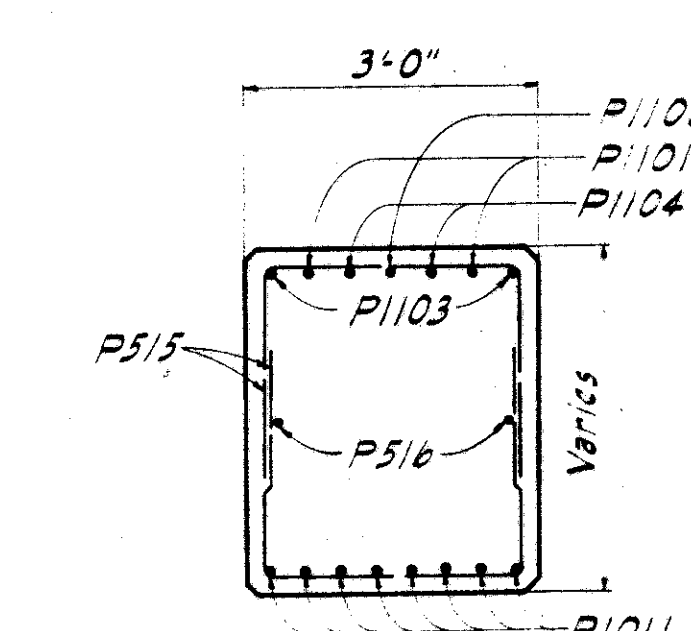


TYPICAL PIER ELEVATION

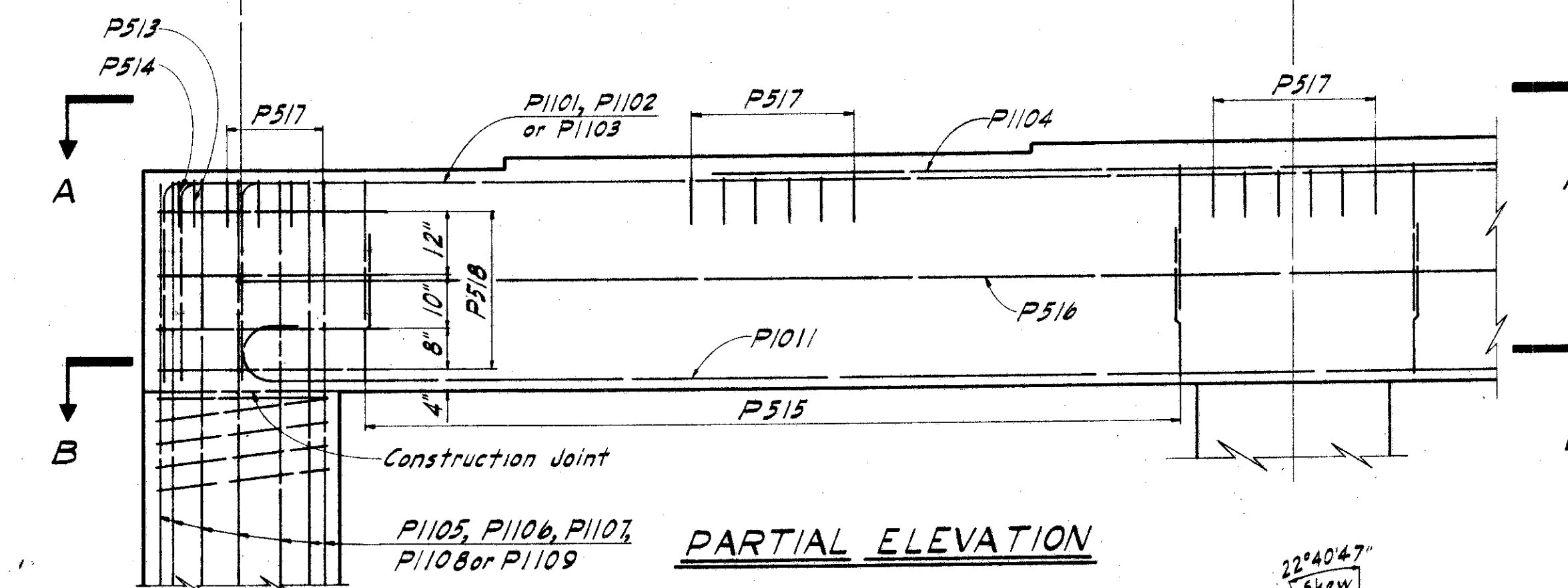
SIDE ELEVATION



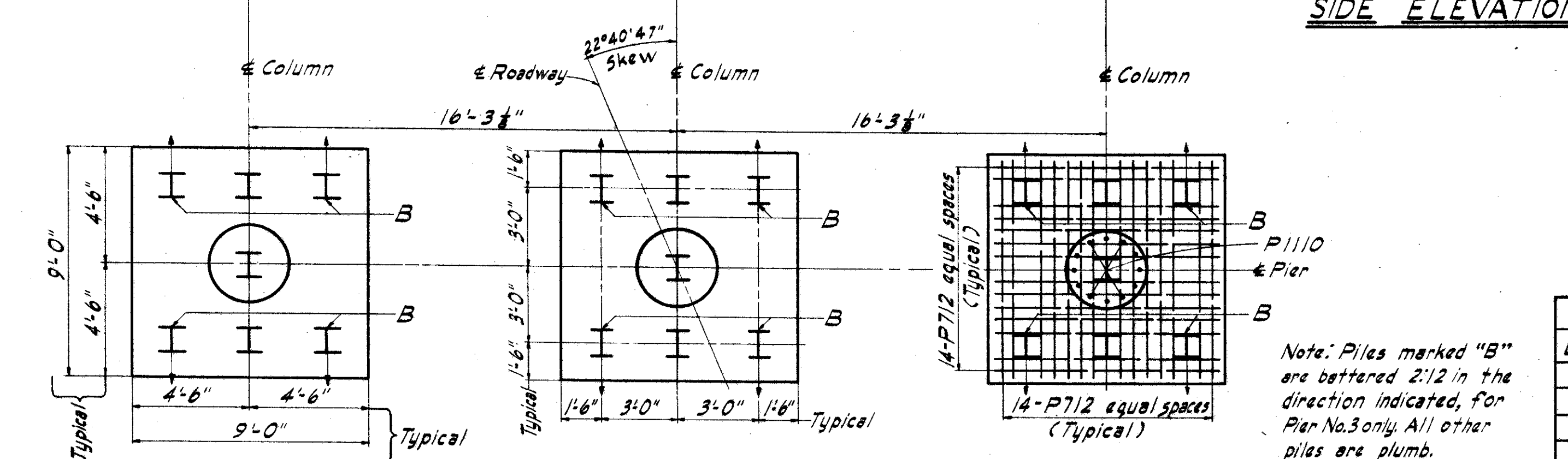
SECTION B-B



SECTION D-D



PARTIAL ELEVATION



TYPICAL PIER FOOTING PLAN

Note: Piles marked "B" are battered 2:12 in the direction indicated, for Pier No.3 only. All other piles are plumb.