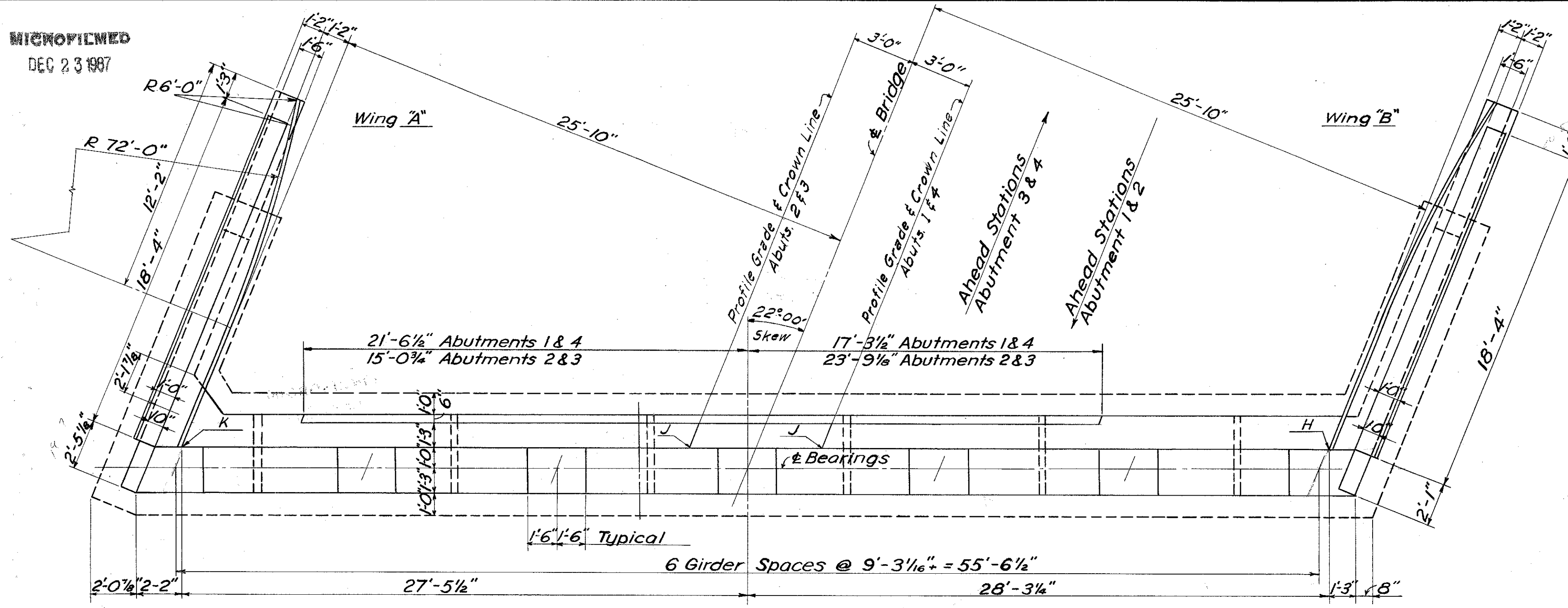


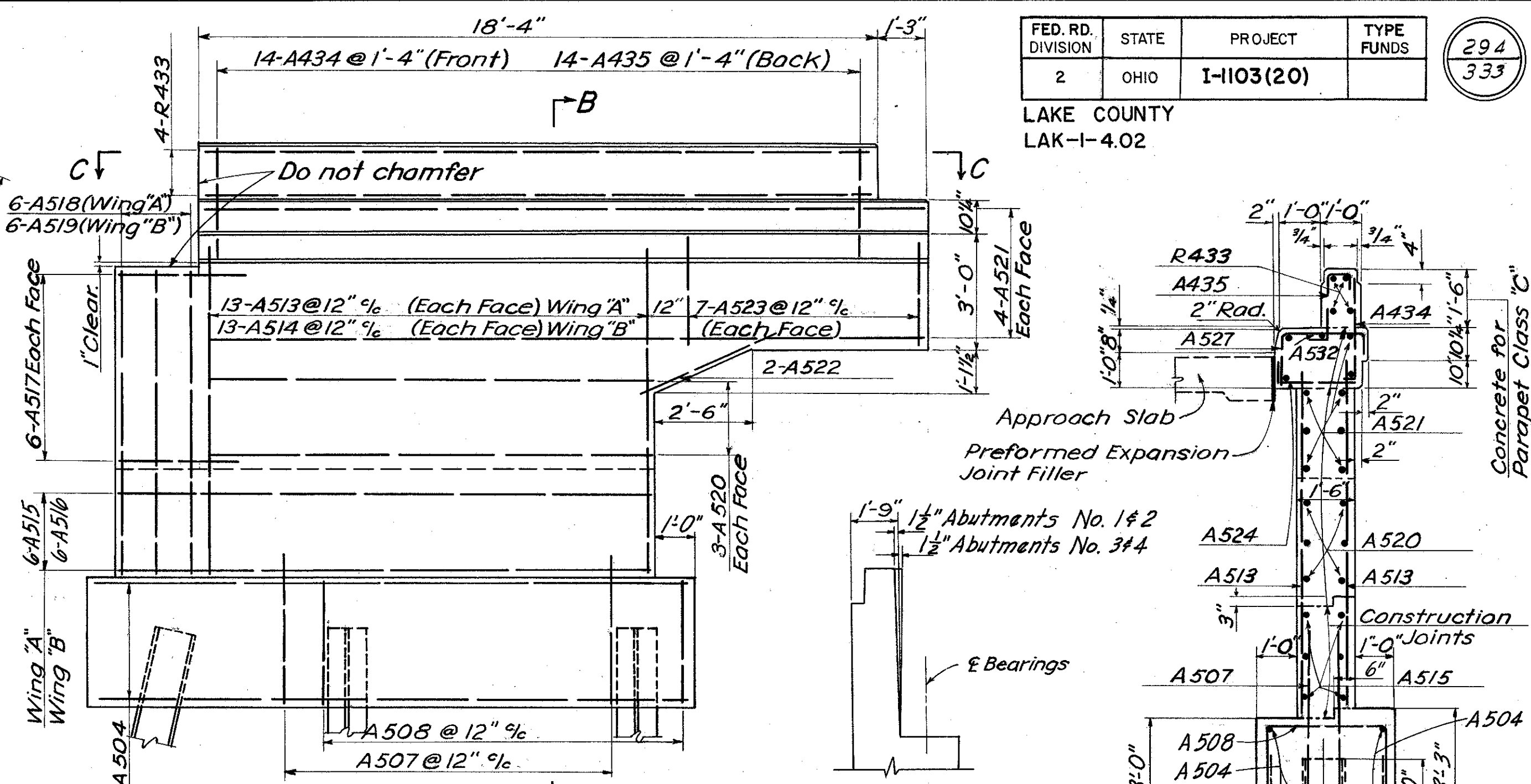
MICROFILMED
DEC 23 1987

FED. RD. DIVISION	STATE	PROJECT	TYPE FUNDS
2	OHIO	I-1103(20)	294 333

LAKE COUNTY
LAK-I-4.02

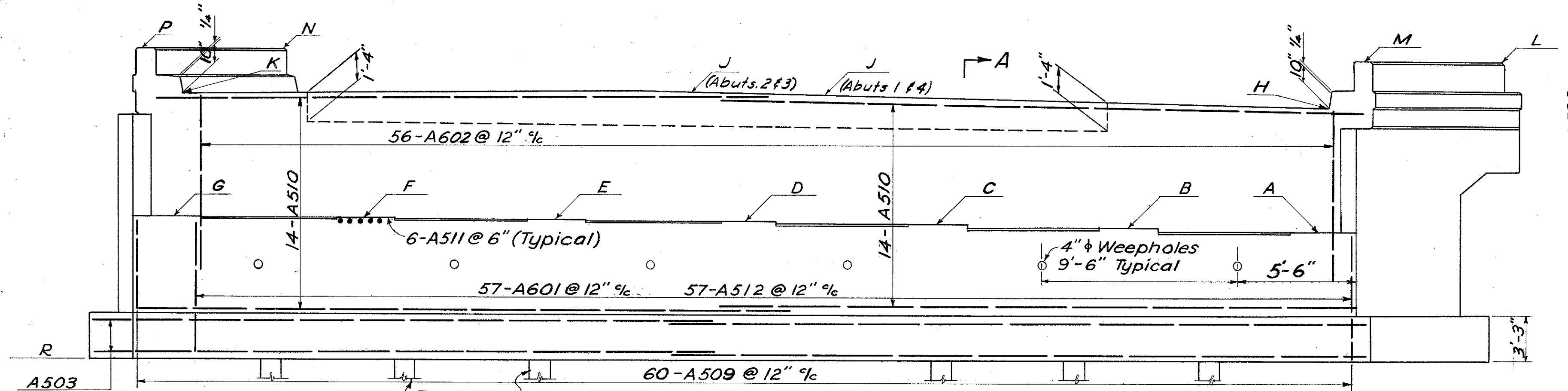


PLAN

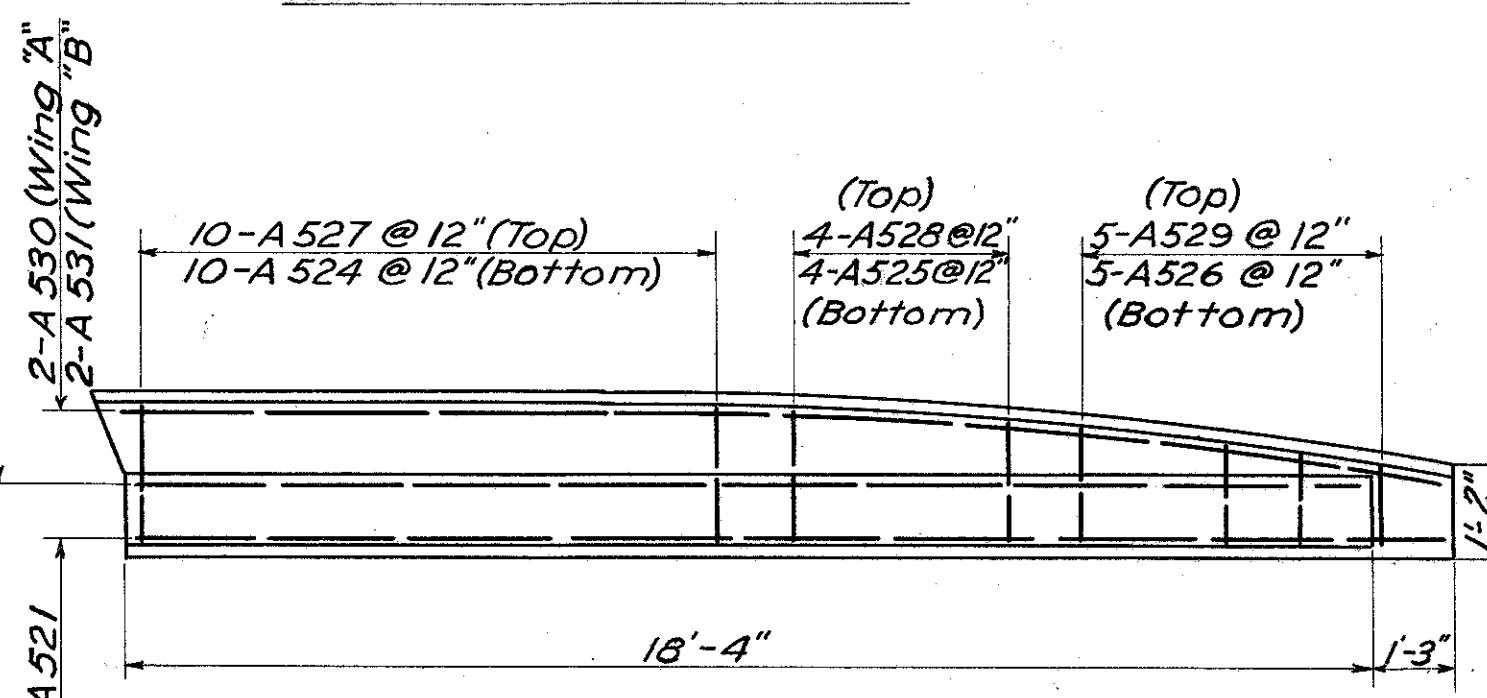


WINGWALL ELEVATION

SECTION B-B



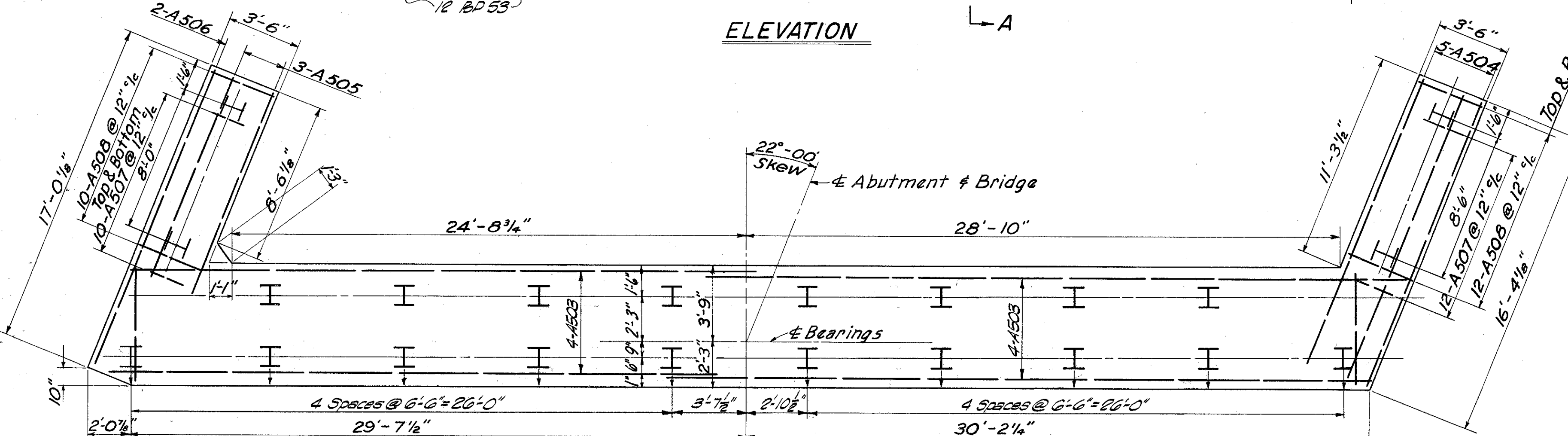
ELEVATION



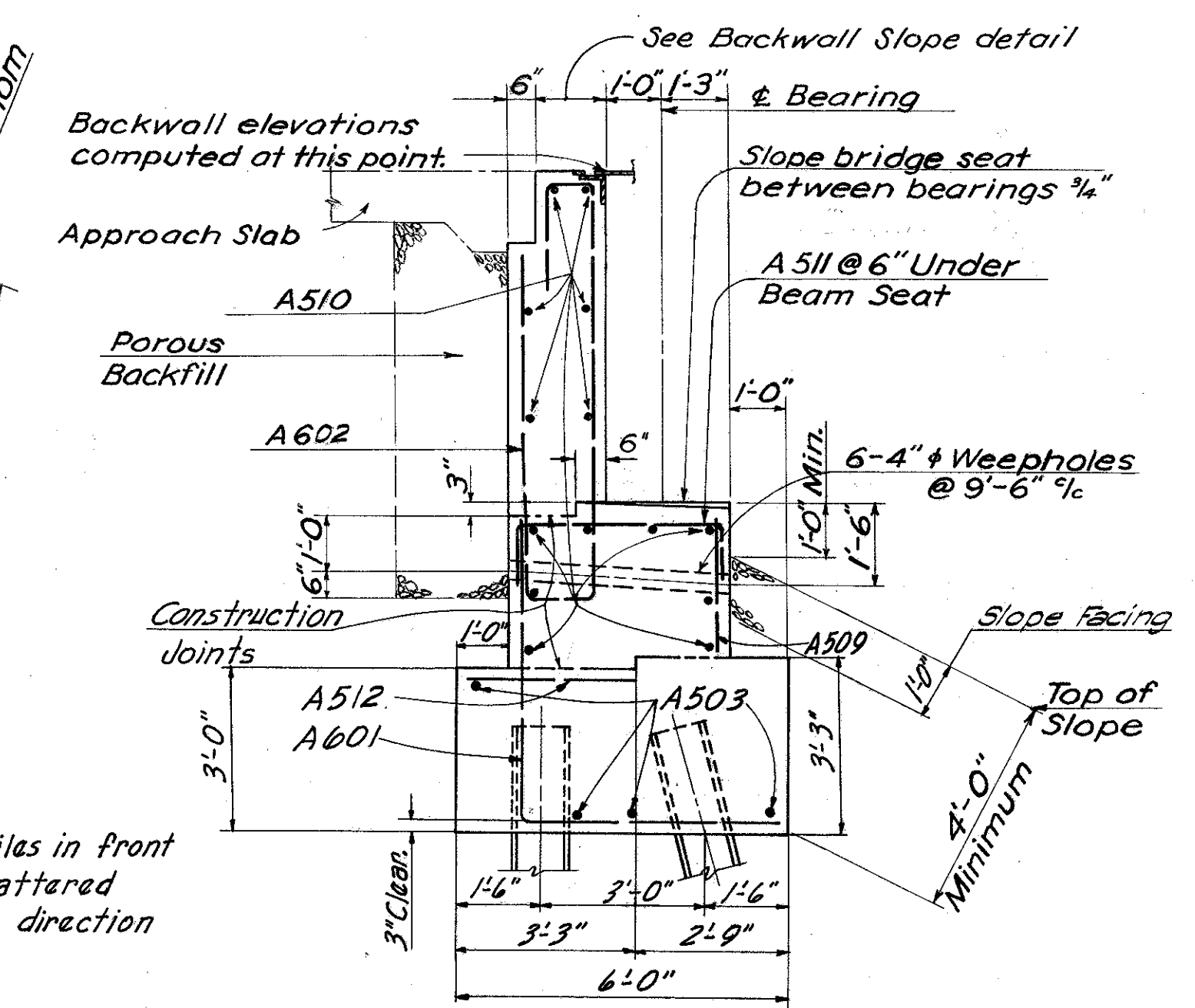
SECTION C-C

NOTES:

- Porous backfill 2 feet thick full length of abutment shall extend up to the underside of the approach slab.
- Clearance of reinforcing steel from face of concrete shall be 2" unless otherwise shown.
- Concrete above bridge seat construction joint shall not be placed until after the steel work is erected, but before placing the deck slab.
- Steel end dam shall be used as a template for the top of the backwall.
- Procedure: The embankment shall be placed and compacted to subgrade elevation, after which excavation shall be made for the abutments.



FOOTING PLAN



SECTION A-A

- All abutment concrete shall be Class "E".
- All parapet concrete shall be Class "C".
- All piles to be 12BP53 and shall be driven to a bearing capacity as given in the General Notes on the "General Plan & Elevation" sheet.

Railing not shown. See "General Plan and Elevation" sheet for railing post spacing. For Guard Rail Detail see Superstructure sheet.

Location	T	A	B	L	E	O	F	E L E V A T I O N S							
	A	B	C	D	E	F	G	H	J	K	L	M	N	P	R
Abutment 1	641.51	641.72	641.92	642.03	641.97	641.90	641.83	647.92	648.47	648.24	649.89	650.26	650.23	650.60	635.50
Abutment 2	643.22	643.43	643.63	643.84	643.86	643.80	643.73	649.62	650.31	650.14	651.59	651.96	652.13	652.50	637.20
Abutment 3	647.03	647.10	647.77	647.13	647.12	646.92	646.71	653.48	653.71	653.16	656.21	655.84	655.87	655.50	640.70
Abutment 4	648.93	649.00	649.06	649.04	648.83	648.63	648.42	655.38	655.55	654.87	658.11	657.74	657.58	657.21	642.40

MICHAEL BAKER, JR., CONSULTING ENGINEERS
ROCHESTER, PENNSYLVANIA

ABUTMENT DETAILS
BRIDGE NO. LAK-I-0541
OVER EAST BRANCH CHAGRIN RIVER

LAKE COUNTY				STA. 294+98.00	
Designed	Drawn	Traced	Checked	Reviewed-Date	Revised
C.S.A.	R.W.	R.E.H.	J.C.B.J.R.	K.C. 11-57	