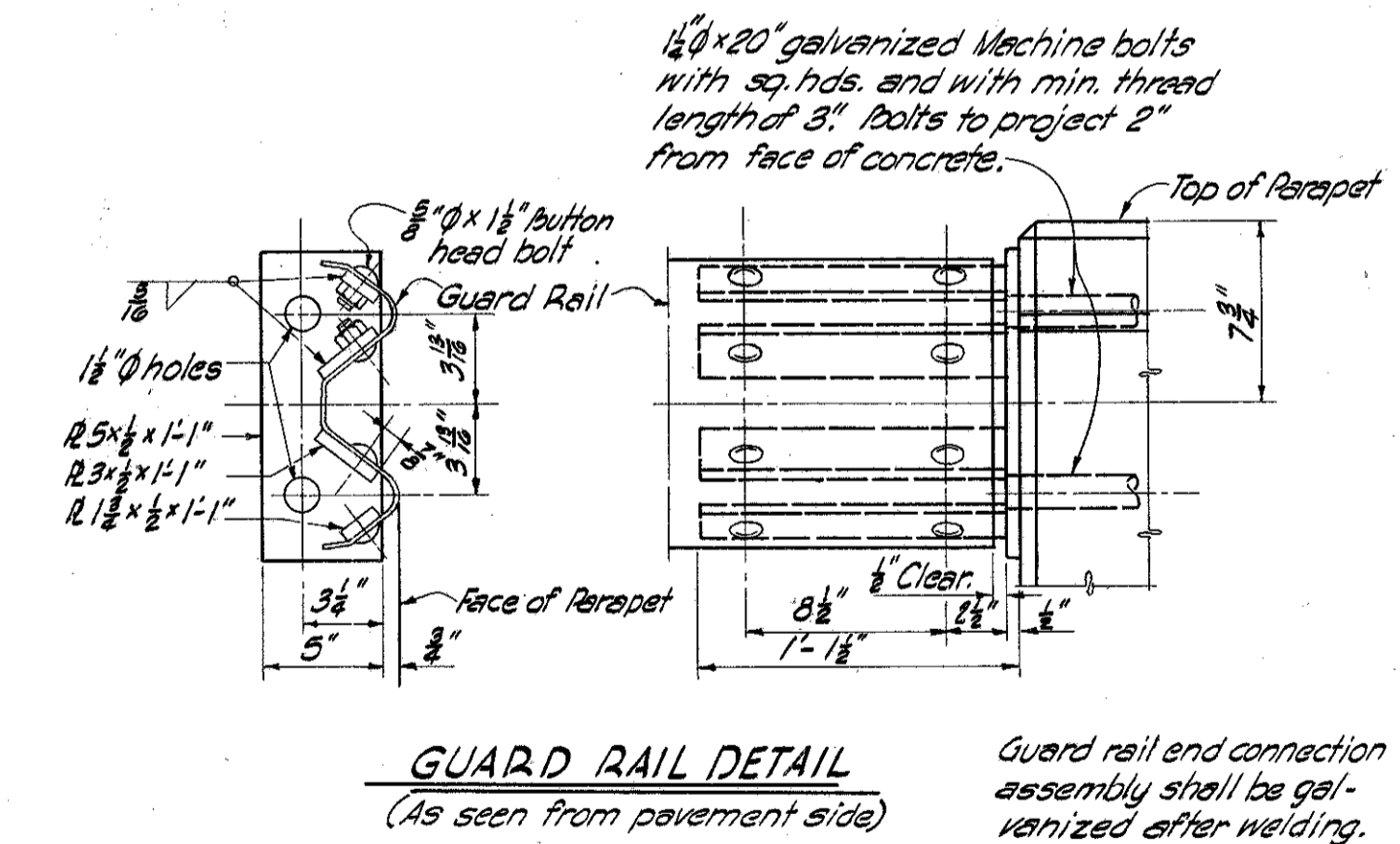
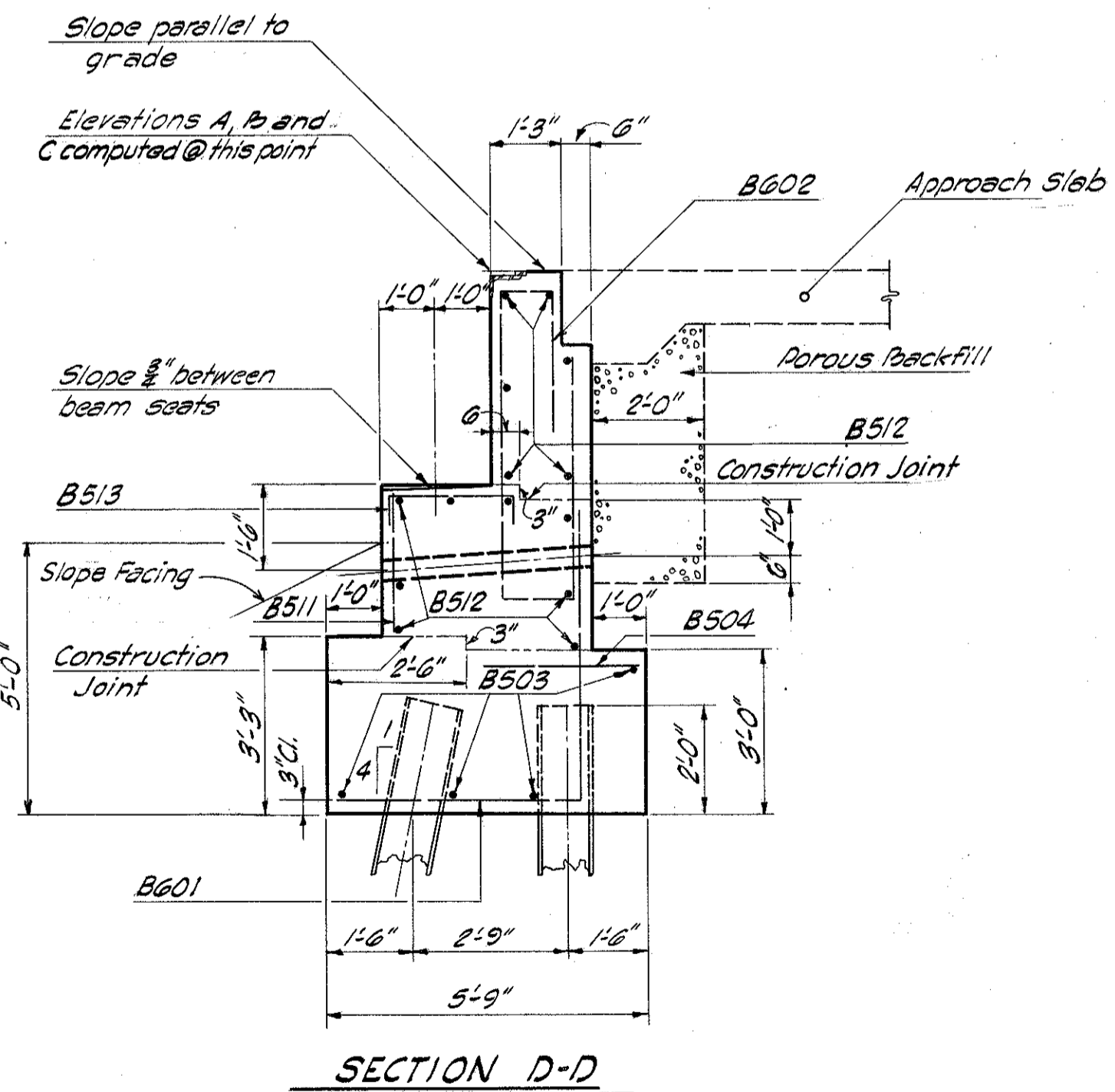
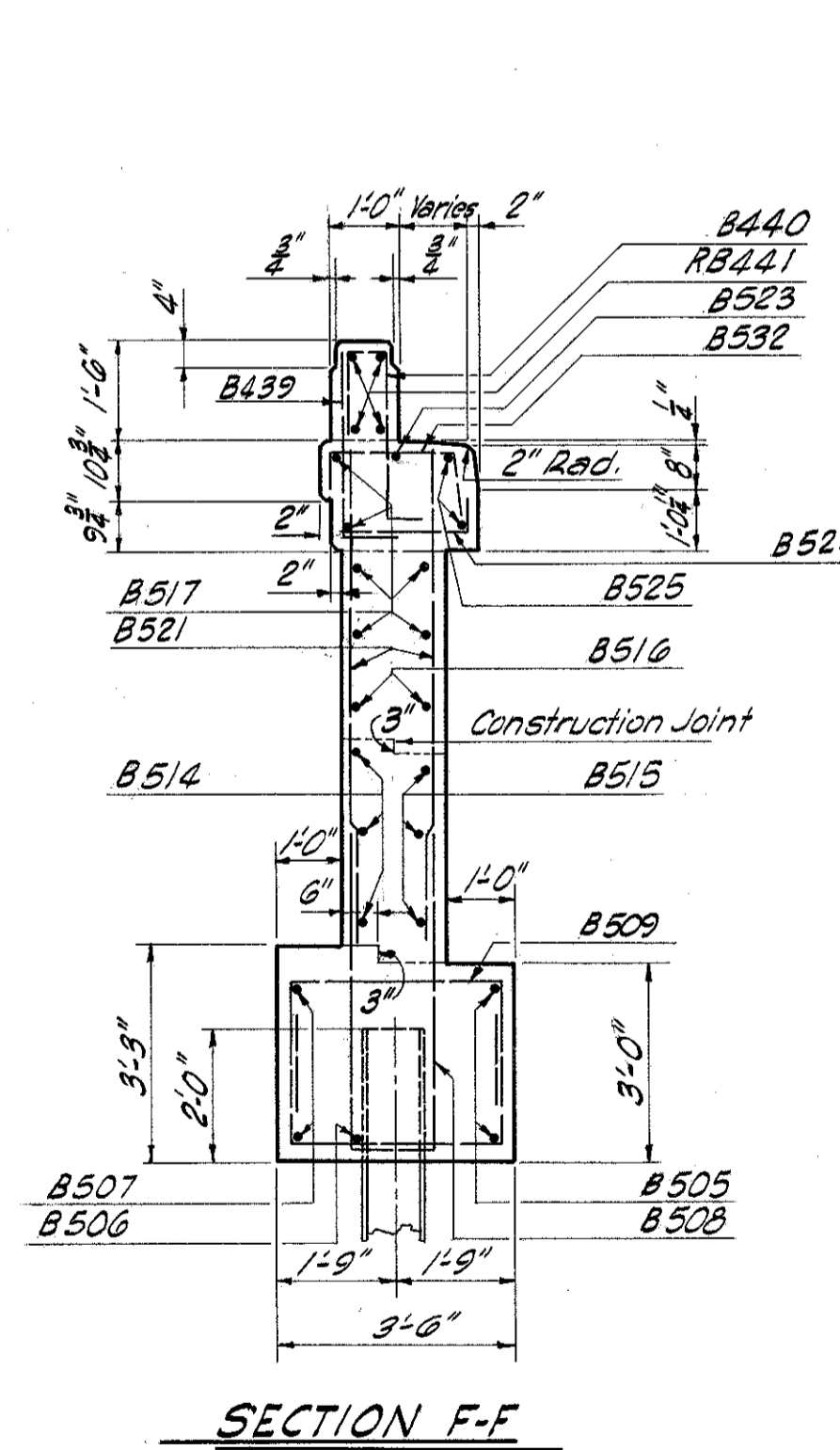
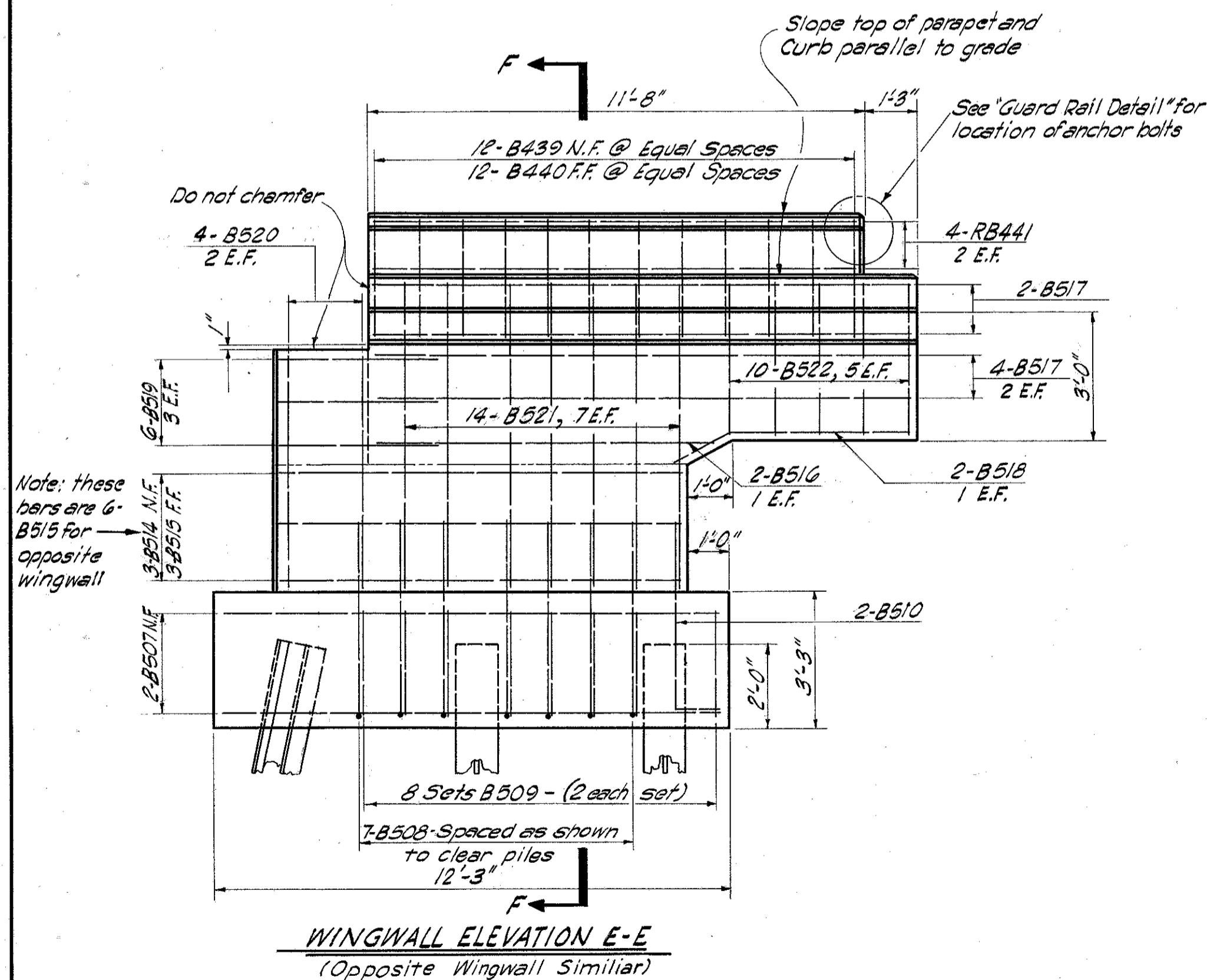
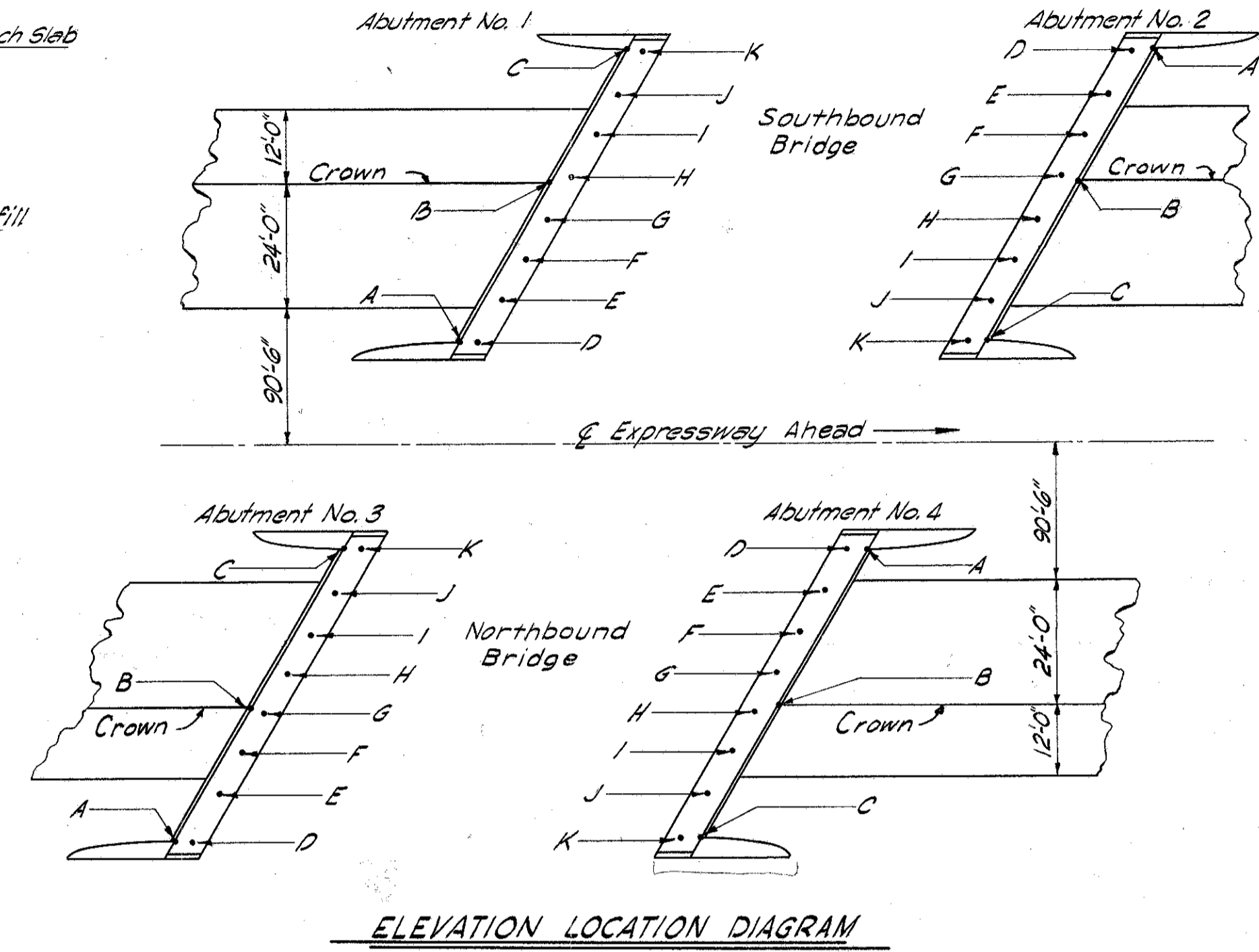
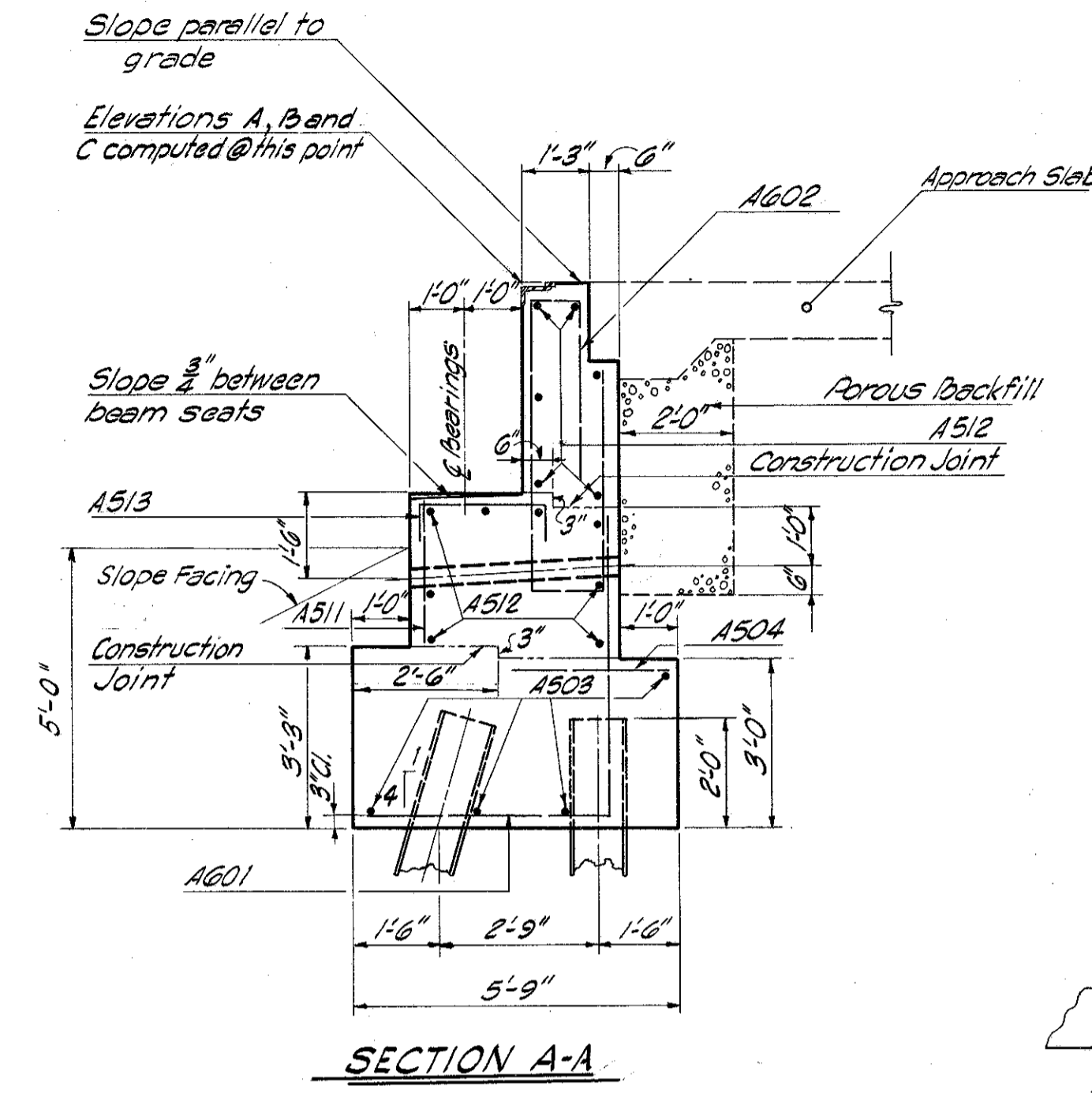
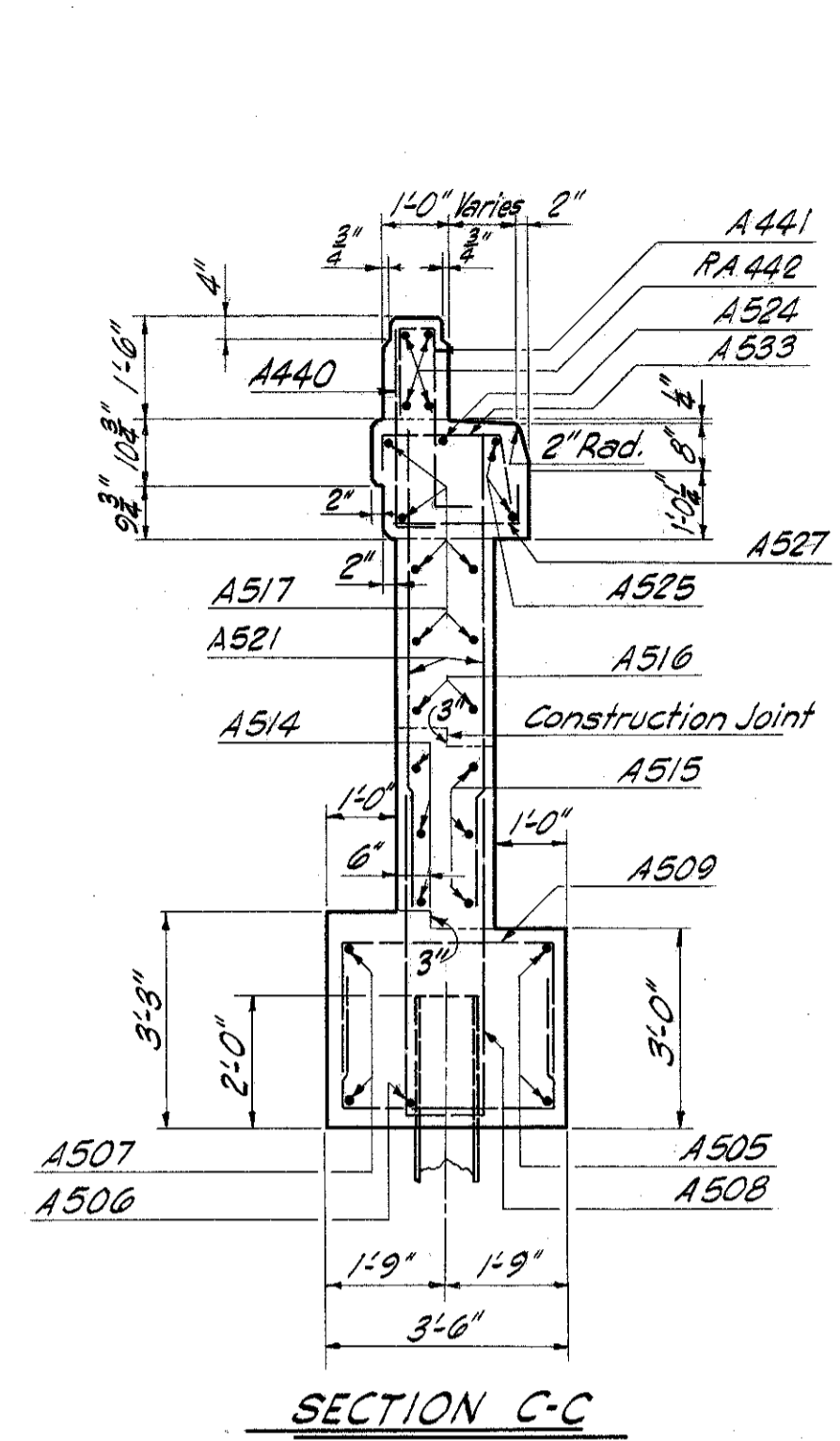
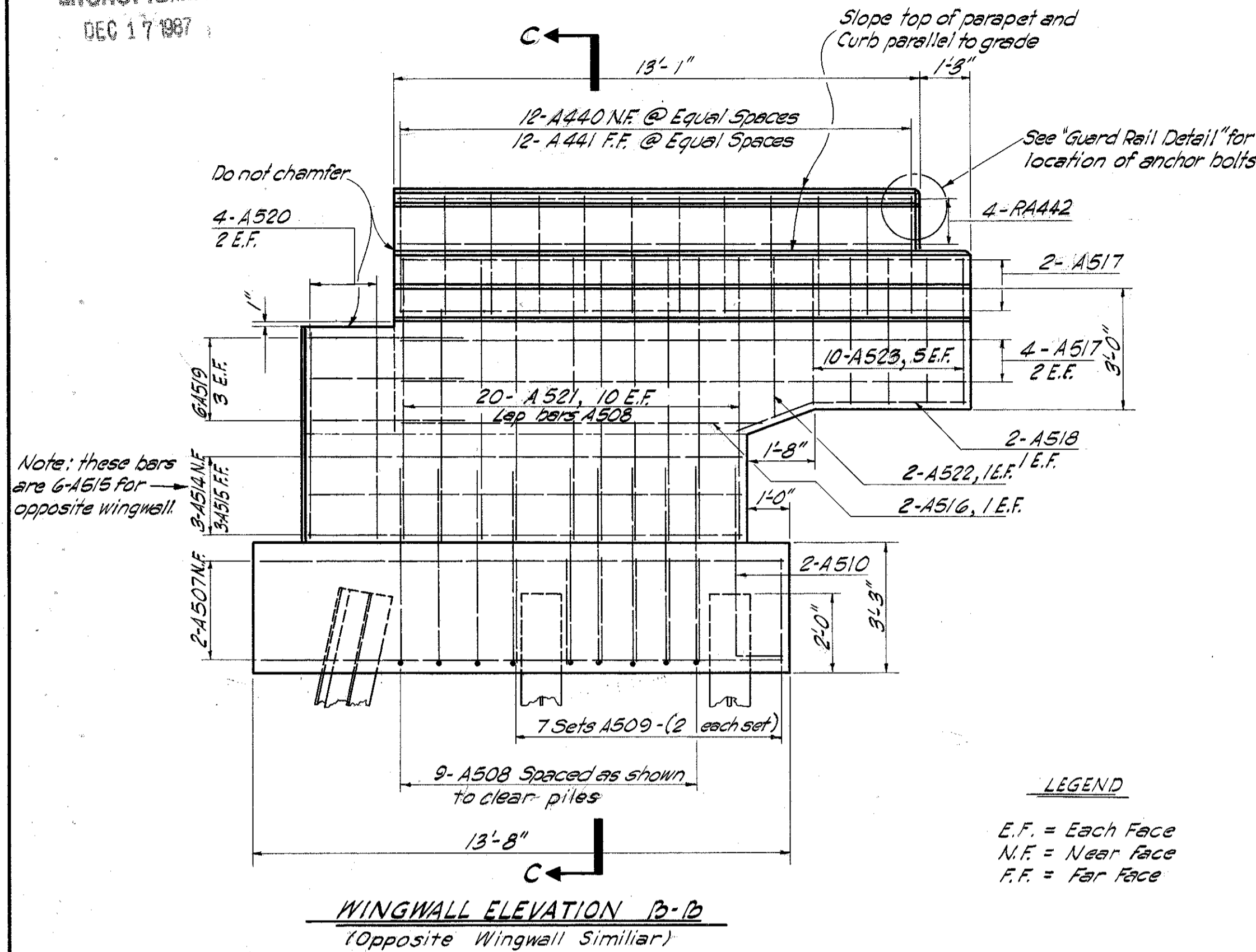


LAKE COUNTY
LAK-I-4.02



LOCATIONS	632.85		631.75													
	A	B	C	D	E	F	G	H	I	J	K	L	M	N	O	P
Abut. No. 1	631.81	632.32	632.01	628.39	628.52	628.65	628.78	628.89	628.79	628.69	628.69	622.40	634.16	634.11	634.36	634.31
Abut. No. 2	632.59	632.65	632.33	629.11	629.21	629.31	629.41	629.30	629.17	629.04	628.91	622.90	634.88	634.93	634.68	634.79
Abut. No. 3	631.39	631.42	631.38	627.67	627.81	627.94	628.08	628.01	627.91	627.81	627.72	621.70	633.68	633.63	633.73	633.68
Abut. No. 4	631.96	632.23	631.91	628.29	628.39	628.48	628.58	628.65	628.51	628.38	628.24	622.20	634.32	634.36	634.26	634.31

MICHAEL BAKER JR., CONSULTING ENGINEERS
ROCHESTER, PENNSYLVANIA

ABUTMENTS
N. & S. BOUND - SECTIONS & DETAILS
BRIDGE NO. LAK - I - 0499
OVER RIVERSIDE DRIVE

LAKE COUNTY

Designed	Drawn	Traced	Checked	Reviewed-Date	Revised
Y.G.			J.K.W.	11.2.58	2-10-60

N.B. STA. 269 + 83.49
TO STA. 271 + 32.07
S.B. STA. 271 + 51.44
TO STA. 272 + 56.44

4-25-58