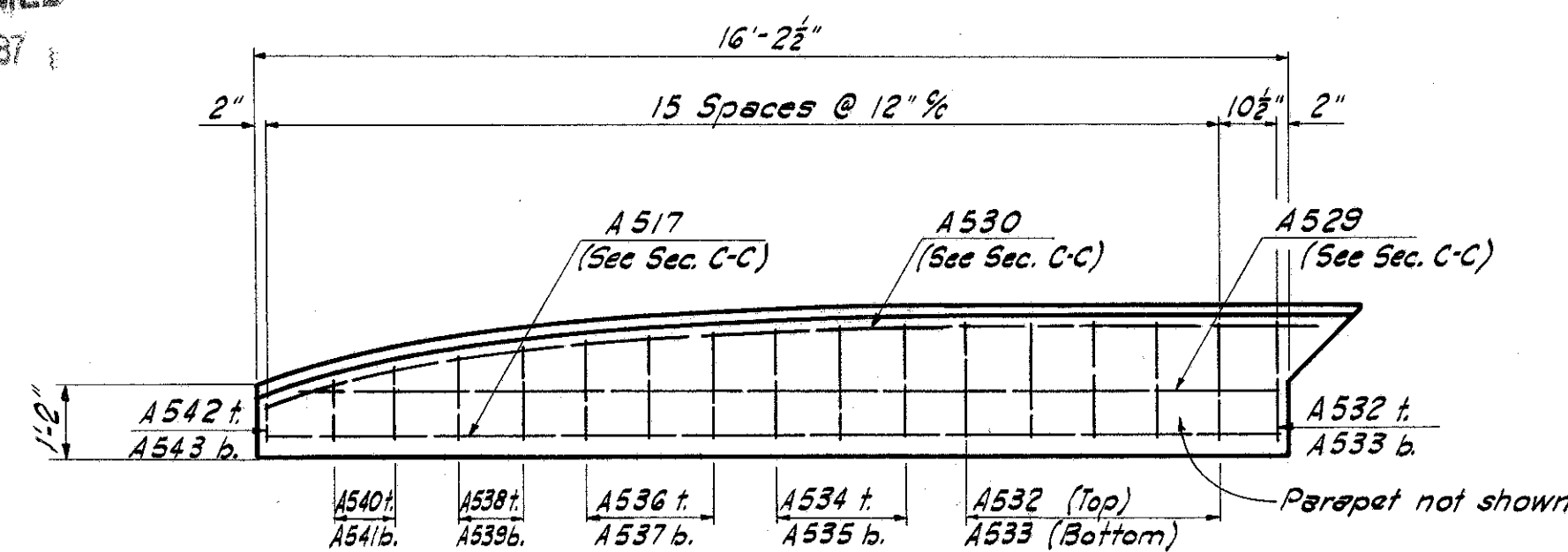


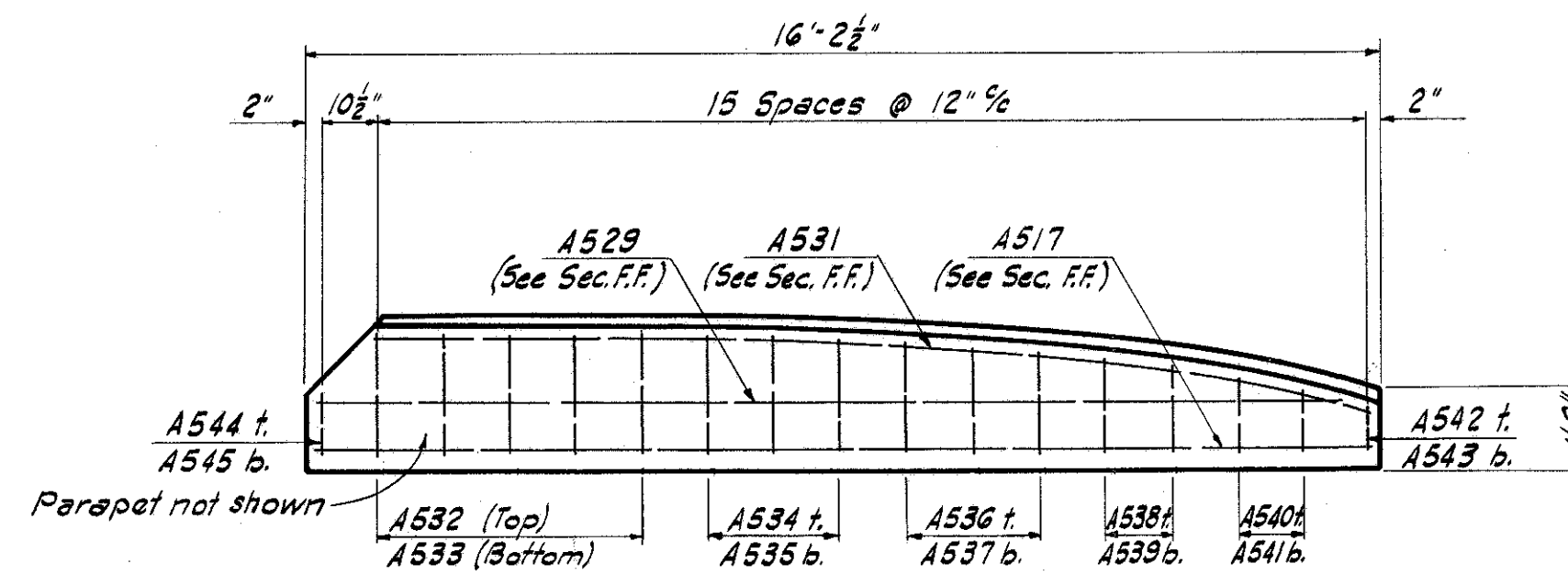
MICROFILMED  
DEC 17 1987

FED. RD. DIVISION	STATE	PROJECT	TYPE FUNDS
2	OHIO	I-1103(20)	269 333

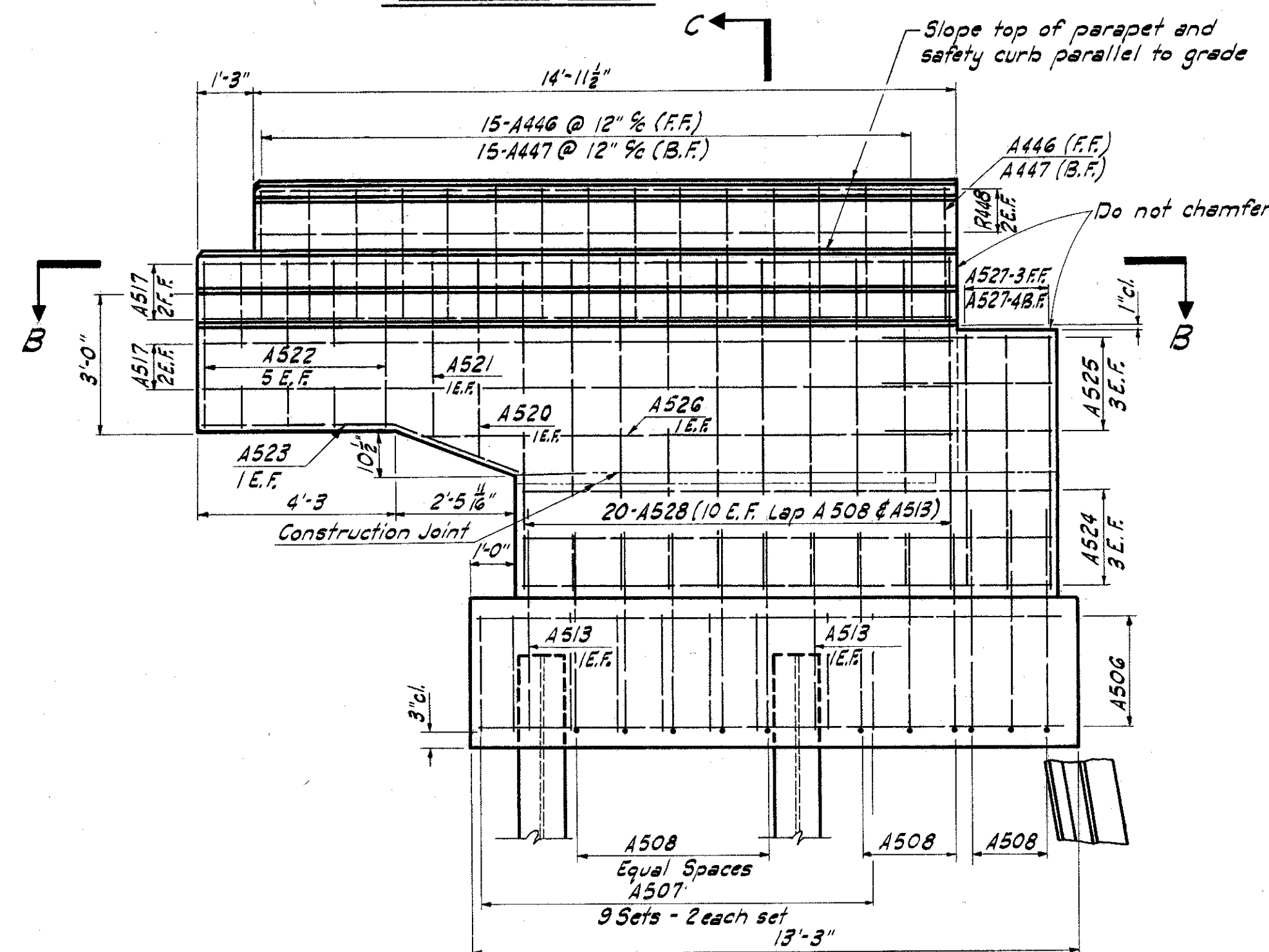
LAKE COUNTY  
LAK-1-4.02



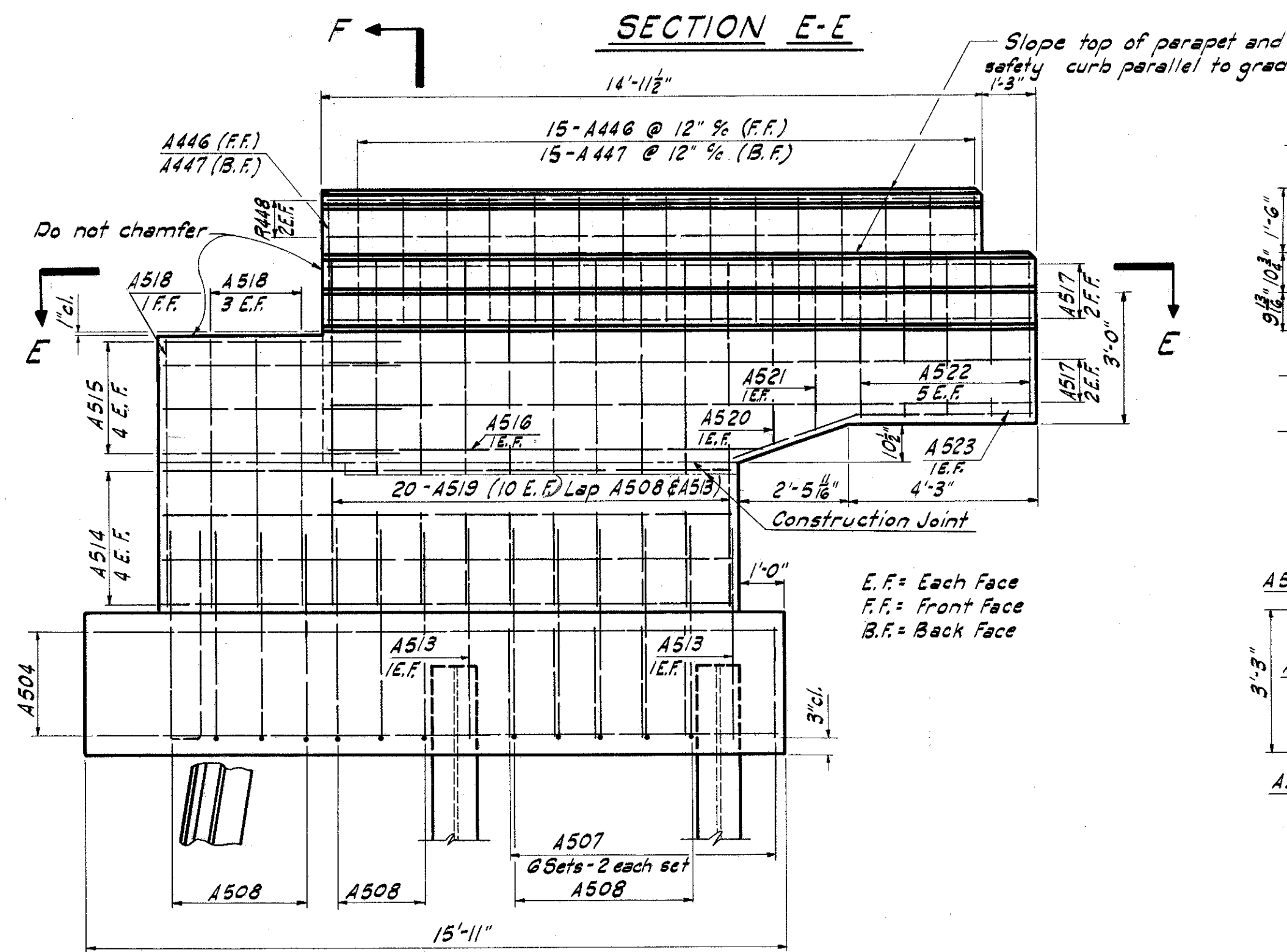
SECTION B-B



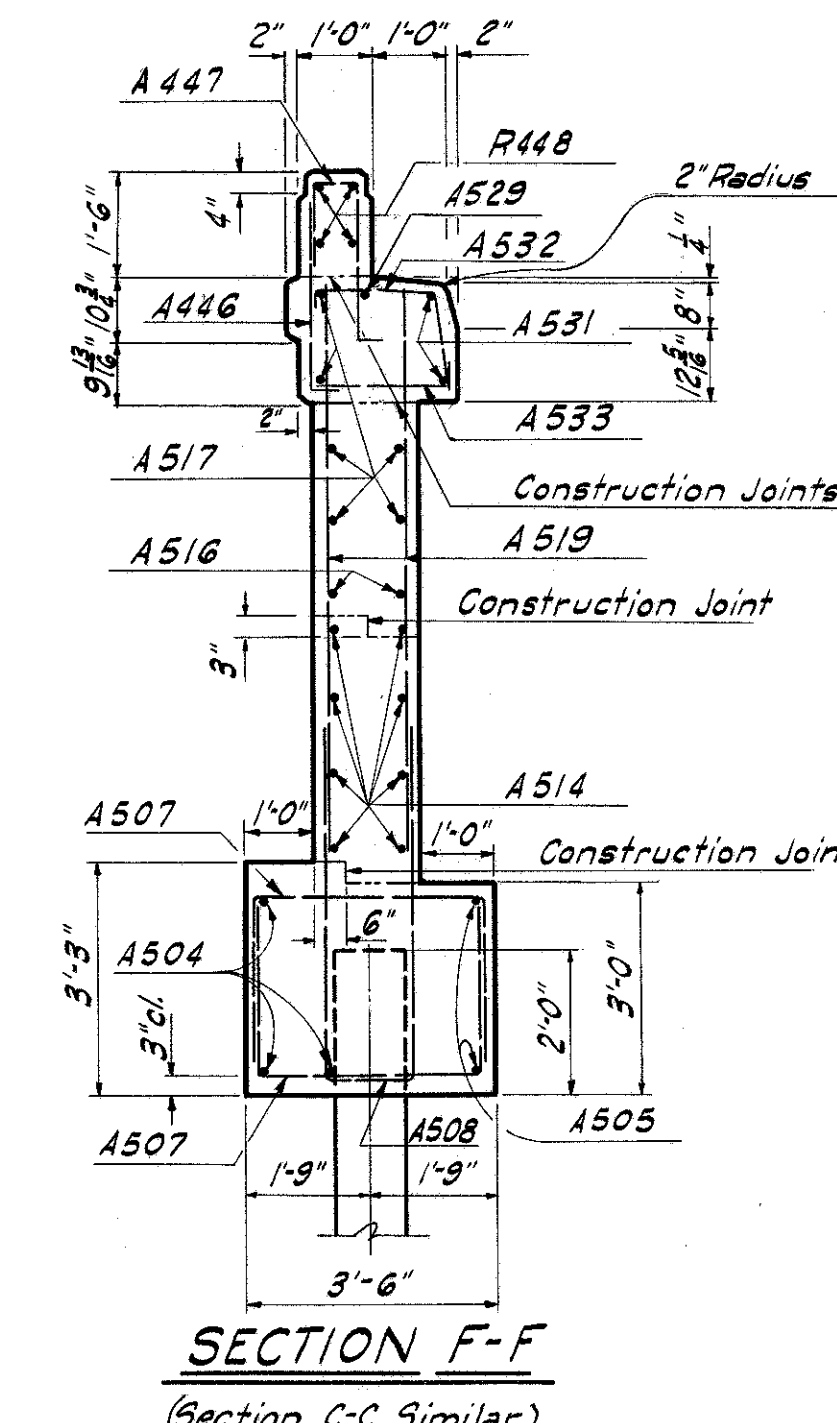
SECTION E-E



WINGWALL ELEVATION A-A

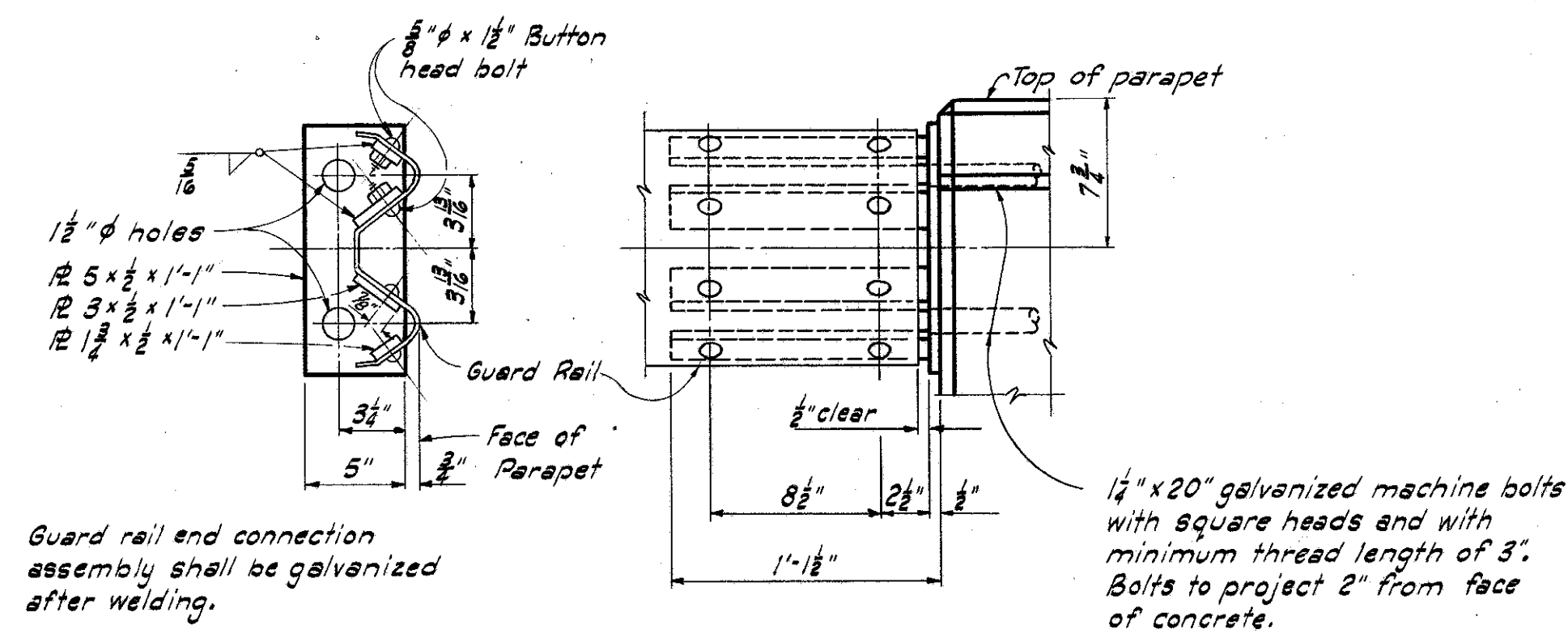


WINGWALL ELEVATION D-D



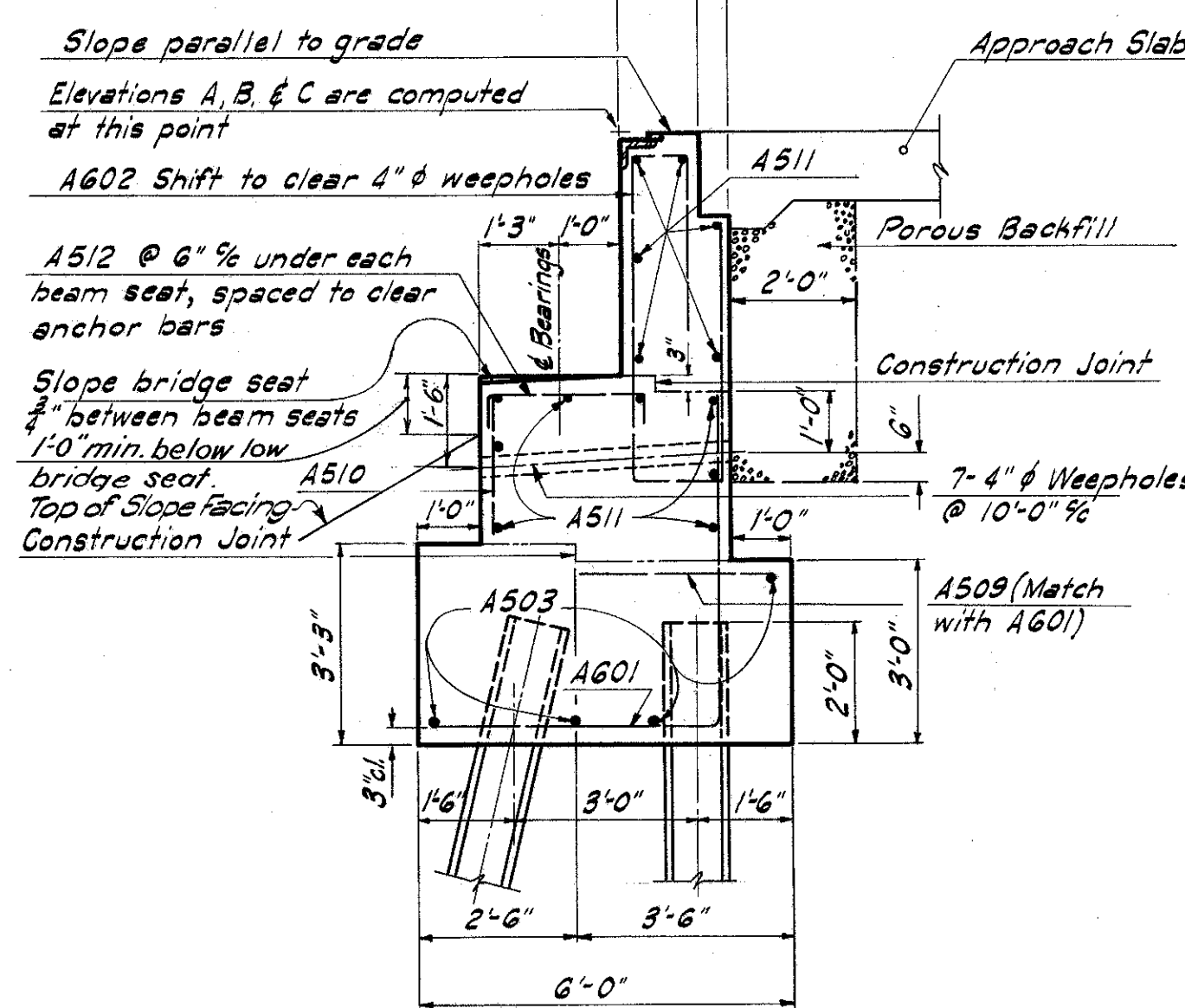
SECTION F-F

(Section C-C Similar)

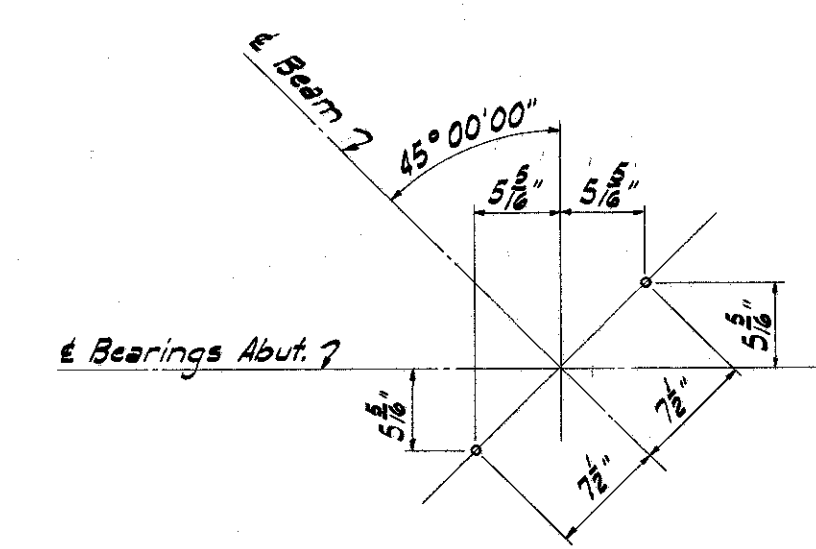


GUARD RAIL DETAIL

(As seen from pavement side)



SECTION G-G



ANCHOR BAR LAYOUT

MICHAEL BAKER JR., CONSULTING ENGINEERS  
ROCHESTER, PENNSYLVANIA

**ABUTMENTS**  
SOUTH BOUND-SECTIONS & DETAILS  
BRIDGE NO. LAK-1-0426  
OVER STATE ROUTE NO. 174

LAKE COUNTY  
S.B. STA. 235+38.42  
TO STA. 237+26.78

Designed	Drawn	Traced	Checked	Reviewed-Date	Revised
G.S.W.	B.C.W.	B.C.W.	G.M.W.	W.R.B. 4-58	