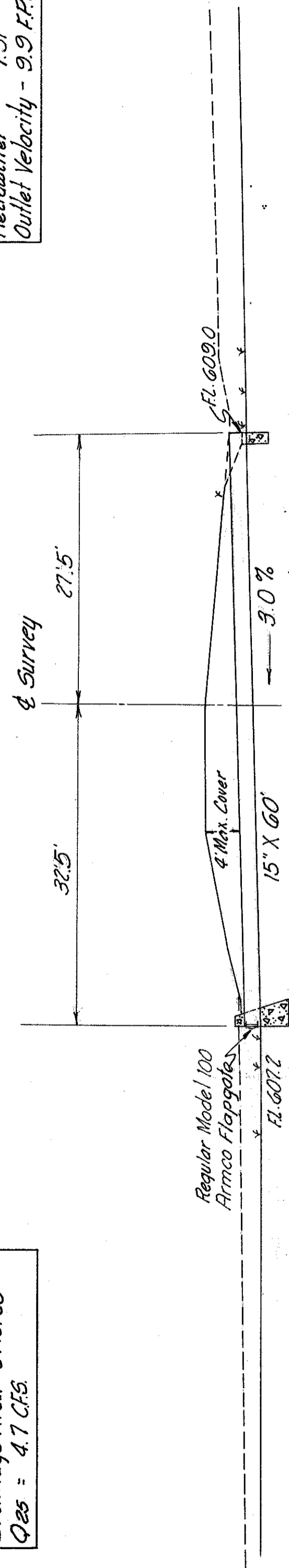


Drainage Area = 2 Acres
Q₂₅ = 4.7 C.F.S.

Headwater = 1.91'
Outlet Velocity = 9.9 FPS.



ESTIMATED QUANTITIES

- E-2 Excavation For Structures 37 Cu. Yds.
- S-1 Concrete For Structures Class "E" 03 Cu. Yds.
- S-4 Reinforcing Steel 180 Lbs.
- S-27 15" Pipe For Roadway Culvert 60 Lin Ft.
- L-10 Sodding 35 Sq. Yds.
- * I-5 15" Cast Iron Flagpole (Aluminum for Equiv.) 1 Each
- S-1 Concrete For Structures Class "C" 3.2 Cu. Yds.

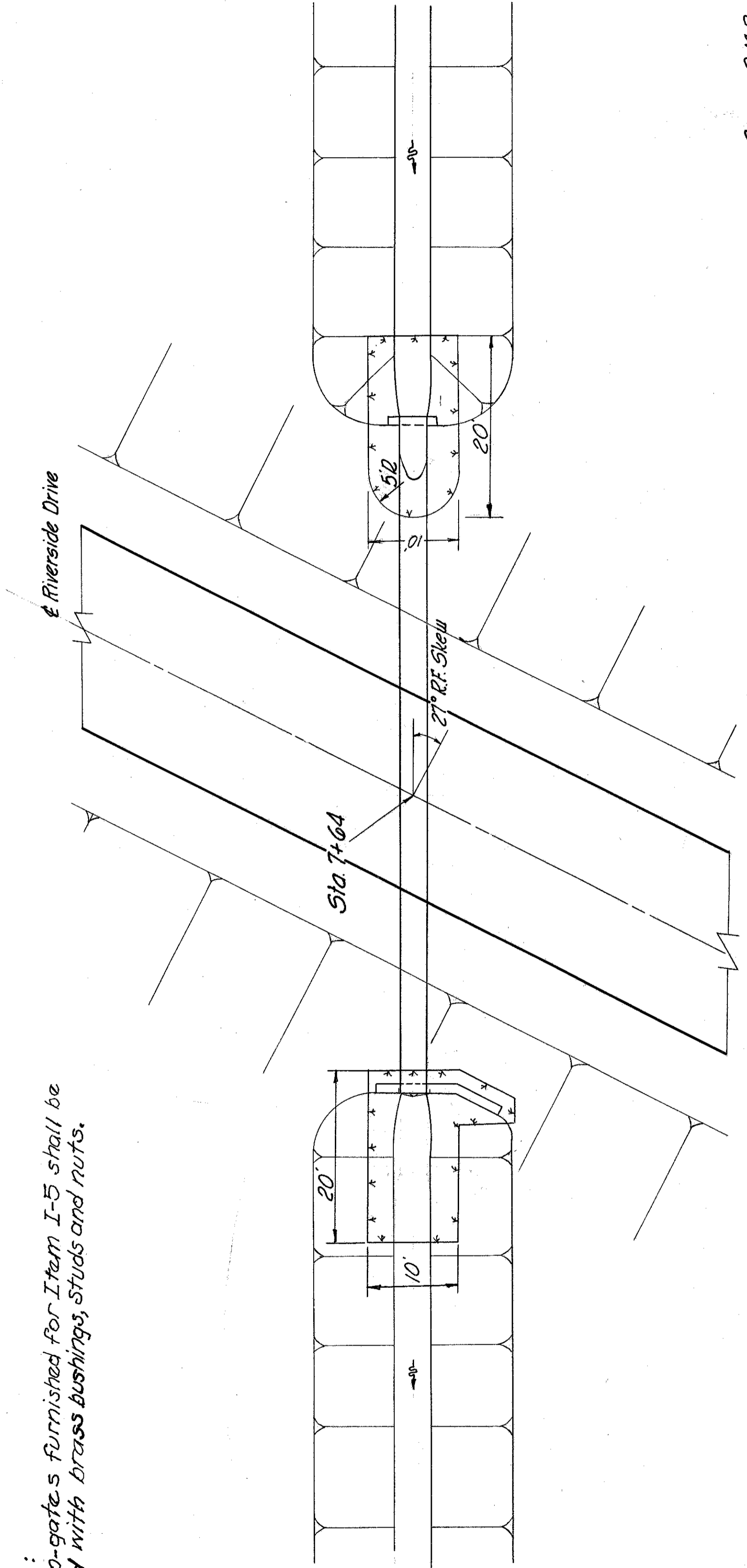
CULVERT DATA

TYPE: Pipe Culvert S-27, M-66 (1 or M-66 (2)) Type "B" Hdwr 1 Lt., PC-4 Hdwr 1 Lt.
SIZE: 15" X 60"

Scale: 1"=10'

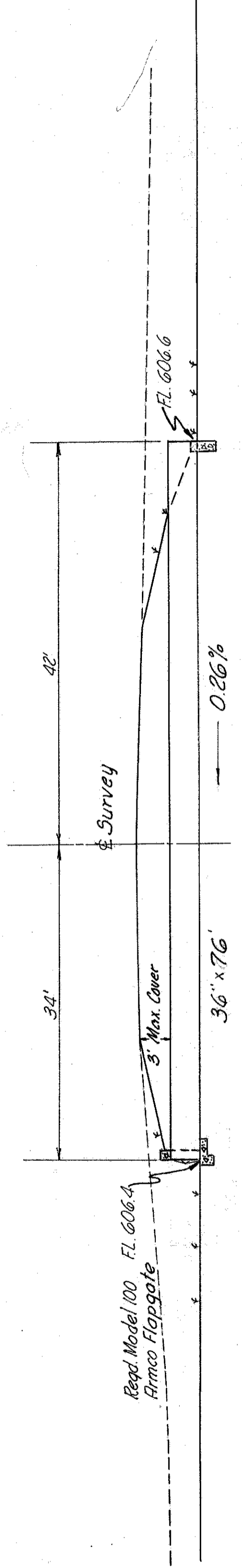
STA. 12+52 RIVERSIDE DRIVE

* NOTE: Flag-poles furnished for Item I-5 shall be fitted with brass bushings, studs and nuts.



Drainage Area = 20 Acres
Q₂₅ = 35 C.F.S.

Headwater = 1.88
Outlet Velocity = 5.95
Conc. C.M.R. 4.0
4.9



ESTIMATED QUANTITIES

- E-2 Excavation For Structures 95 Cu. Yds.
- S-1 Concrete For Structures Class "E" 0.6 Cu. Yds.
- S-4 Reinforcing Steel 379 Lbs.
- L-10 Sodding 76 Lin Ft.
- S-27 36" Pipe For Roadway Culvert 40 Sq. Yds.
- * I-5 3/8" Cast Iron Flagpole (Aluminum for Equiv.) 1 Each
- S-1 Concrete For Structures Class "C" 7.3 Cu. Yds.

CULVERT DATA

TYPE: Pipe Culvert S-27, Pipe for Roadway, Class "E", Type PC-4 Hdwr 1 Lt. & Type "B" Hdwr 1 Lt.
SIZE: 36" X 76"

Scale 1"=10'

STA. 7+64 RIVERSIDE DRIVE

MICHAEL BAKER, JR., CONSULTING ENGINEERS
ROCHESTER, PENNSYLVANIA

STATE OF OHIO
DEPARTMENT OF HIGHWAYS
STATE HIGHWAY NO. 1
C-44
CULVERT SECTIONS
RIVERSIDE DRIVE - STA. 7+64 & 12+52

Designed	Drawn	Traced	Checked	Reviewed Date	Revised
L.I.	J.D.	U.W.A. M.W.	E.H.		