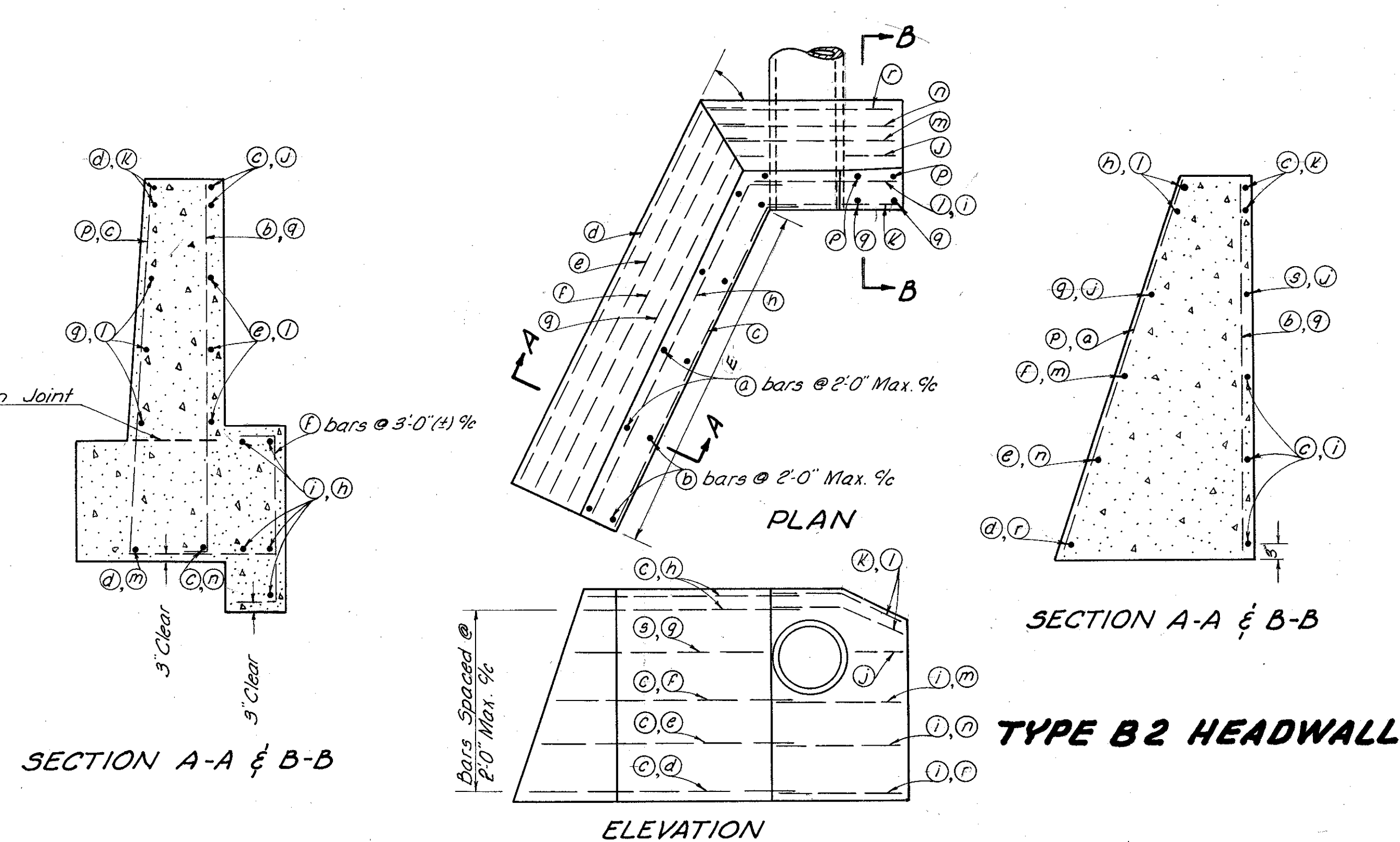
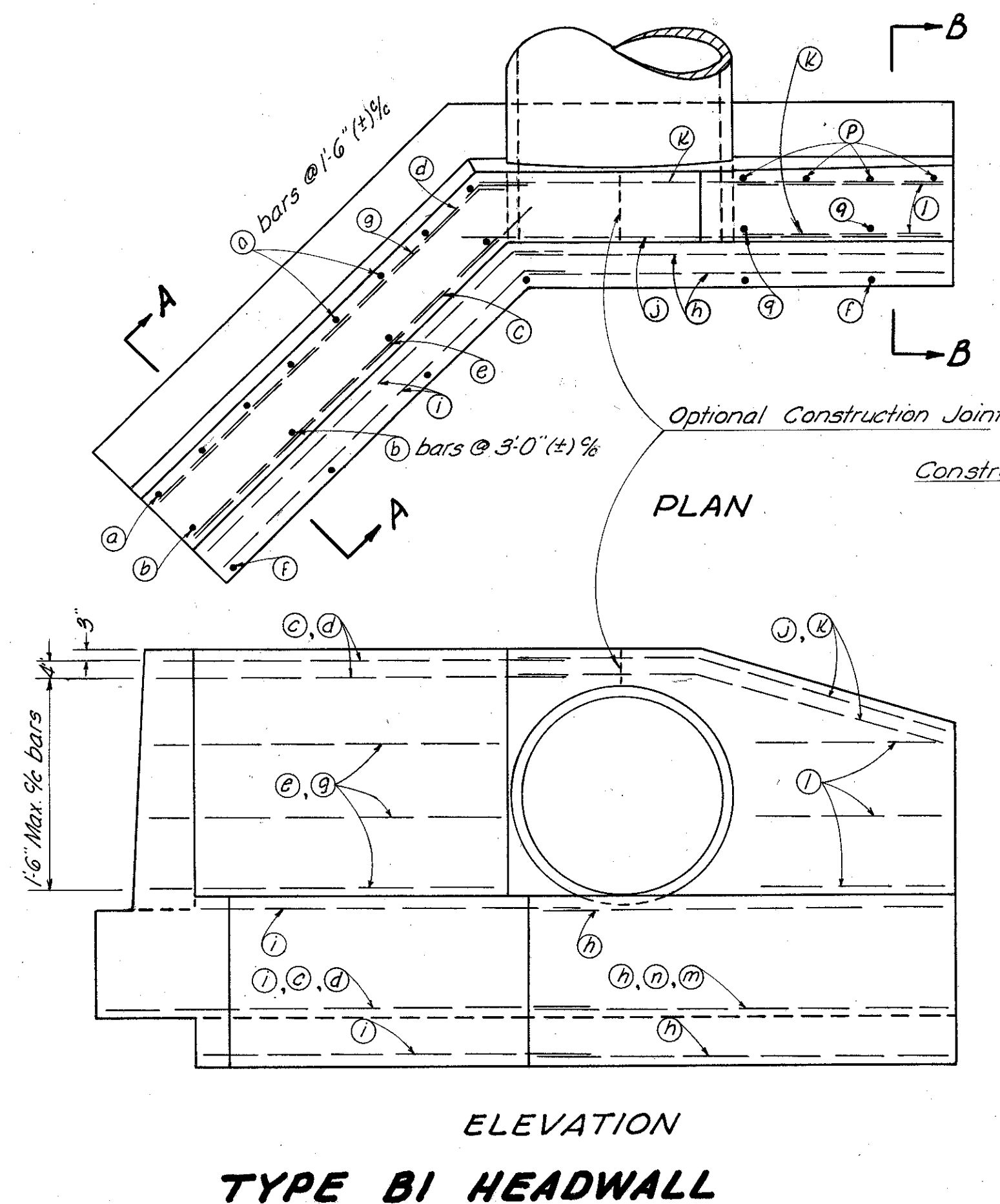
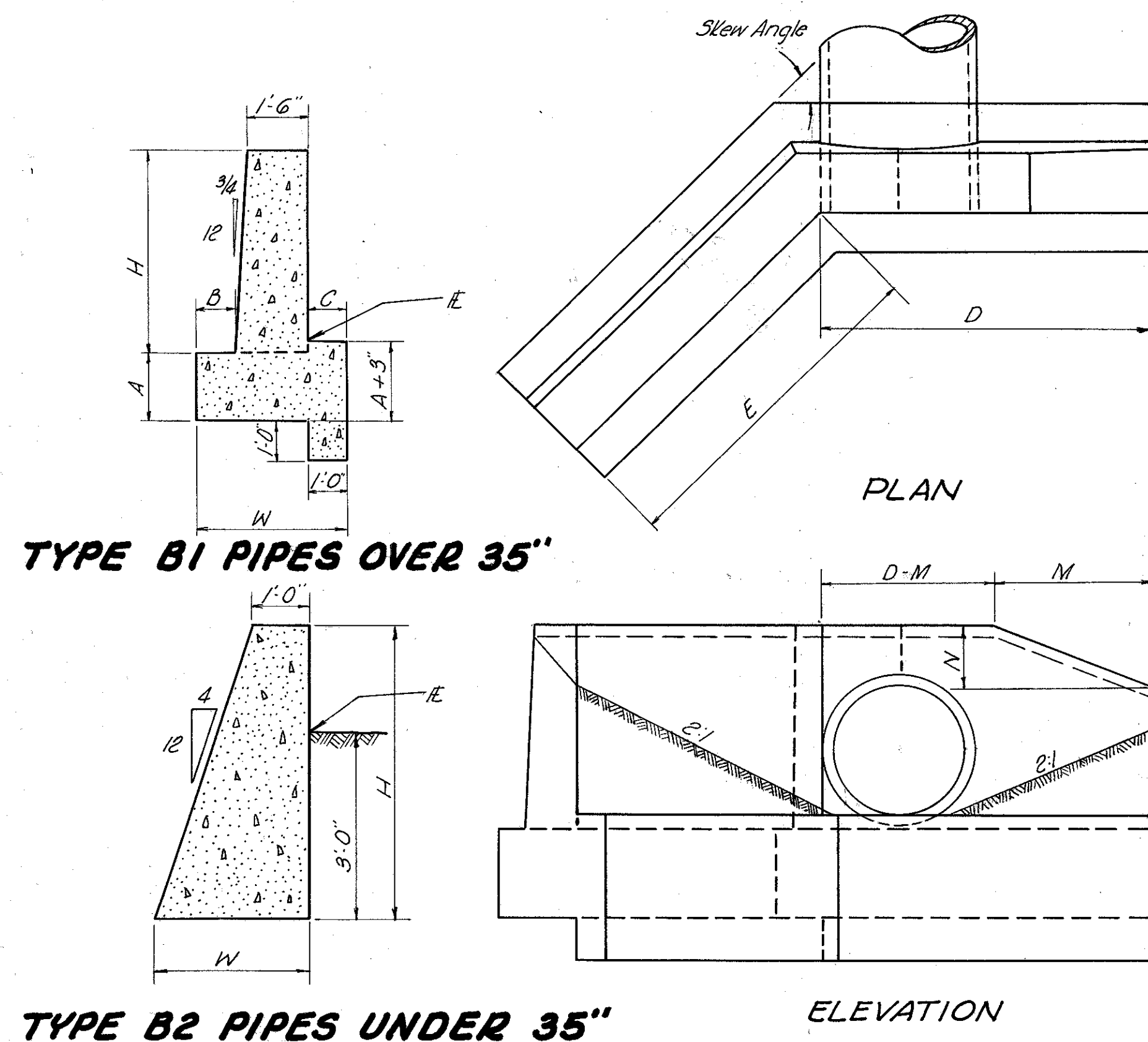


# HEADWALL TYPE "B" (QUANTITIES FOR ONE HEADWALL)

HEADWALL DIMENSIONS												REINFORCEMENT BAR SCHEDULE																		QUANTITIES—																					
Station	Skew	Pipe Size	Type	H	W	A	B	C	D	E	M	N	a	b	c	d	e	f	g	h	i	j	k	l	m	n	p	q	r	s	Reif. Steel Lbs.	Concrete Cu. Yds.																			
280+65(Lt.&Rt)	20°	30"	B2	6'-7"	3'-3"				5'-8"	5'-10"	1'-11"	0'-4"	5	6'-6"	4	6'-2"	5	7'-1"	1	7'-6"	1	7'-6"	1	7'-5"	1	6'-0"	2	7'-3"	3	5'-6"	2	2'-4"	2	5'-6"	2	5'-8"	1	5'-9"	1	5'-10"	3	6'-1"; 6'-3"; 6'-6"	3	5'-10"; 6'-0"; 6'-2"	1	6'-0"	1	5'-6"		499	5.8
351+07(Left)	42°	53"x34"	B1	4'-2"	3'-3"	1'-9"	0'-9"	0'-9"	8'-4"	7'-8"	2'-8"	0'-6"	6	7'-8"	3	6'-0"	3	8'-4"	3	9'-9"	3	7'-4"	6	3'-3"	3	8'-8"	5	7'-10"	5	9'-1"	2	8'-11"	2	8'-10"	6	3'-1"	1	8'-10"	1	8'-2"	3	7'-2"; 7'-5"; 7'-8"	2	5'-6"; 6'-0"		391	7.65				
351+07(Right)	17°	53"x34"	B1	4'-2"	3'-3"	1'-9"	0'-9"	0'-9"	9'-8"	6'-0"	4'-0"	0'-4"	5	7'-8"	3	6'-0"	3	6'-8"	3	7'-8"	3	5'-8"	6	3'-3"	3	6'-2"	5	9'-6"	5	7'-5"	2	10'-3"	2	9'-8"	6	4'-5"	1	9'-8"	1	9'-6"	4	7'-4"; 7'-5"; 7'-7"; 7'-8"	2	5'-8"; 5'-10"		382	7.2				
Riverside Dr. 7+64 (Left)	27°	36"	B1	4'-4"	3'-3"	1'-9"	0'-9"	0'-9"	8'-2"	6'-9"	3'-11"	0'-5"	5	7'-10"	3	6'-2"	3	7'-5"	3	8'-4"	3	6'-5"	6	3'-3"	3	7'-1"	5	8'-0"	5	8'-2"	2	8'-9"	2	8'-4"	6	4'-2"	1	8'-4"	1	8'-0"	4	7'-5"; 7'-7"; 7'-9"; 7'-10"	2	5'-9"; 6'-2"		379	7.3				
Ramp C 8+50 (Right)	24°	18"	B2	5'-7"	2'-11"				5'-5"	3'-10"	2'-8"	0'-2"	3	5'-5"	3	5'-2"	5	5'-2"	1	5'-9"	1	5'-8"	1	5'-7"	1	3'-10"	2	5'-4"	3	5'-3"	2	3'-0"	2	5'-2"	2	5'-5"	1	5'-8"	1	5'-9"	3	5'-3"; 5'-4"; 5'-5"	3	5'-0"; 5'-1"; 5'-2"	1	5'-10"	1	4'-0"		192	3.82
Riverside Dr. 12+52 (Left)	40°	18"	B2	5'-4"	2'-10"				3'-10"	3'-11"	1'-4"	0'-3"	4	5'-2"	3	4'-11"	5	5'-2"	1	6'-3"	1	6'-1"	1	6'-1"	1	4'-7"	2	5'-8"	3	3'-8"	2	1'-9"	2	3'-8"	2	4'-0"	1	4'-5"	1	4'-6"	3	5'-2"; 5'-1"; 4'-11"	3	4'-8"; 4'-10"; 4'-11"	1	4'-7"	1	3'-7"		180	3.2
S.R. 306 280+50 (Left)	25°	15"	B2	5'-4"	2'-10"				3'-2"	3'-4"	0'-8"	0'-2"	3	5'-2"	3	4'-11"	5	4'-8"	1	5'-3"	1	5'-2"	1	5'-1"	1	3'-4"	2	4'-10"	3	3'-0"	2	1'-0"	2	2'-1"	2	3'-2"	1	3'-5"	1	3'-6"	2	5'-0"; 5'-2"	2	4'-9"; 4'-11"	1	3'-7"	1	3'-5"		145	2.57



Notes: Reinforcing bars are #5 except as noted lengths are given in feet and inches. All other notes and details not shown on this sheet will conform to standard headwalls A and C.

MICHAEL BAKER JR., CONSULTING ENGINEERS  
ROCHESTER, PENNSYLVANIA

STATE OF OHIO  
DEPARTMENT OF HIGHWAYS  
STATE HIGHWAY NO. 1  
C-44  
TYPE "B" HEADWALLS

Designed	Drawn	Traced	Checked	Reviewed Date	Revised
Y.G.	P.W.M.	P.W.M.	L.I.		