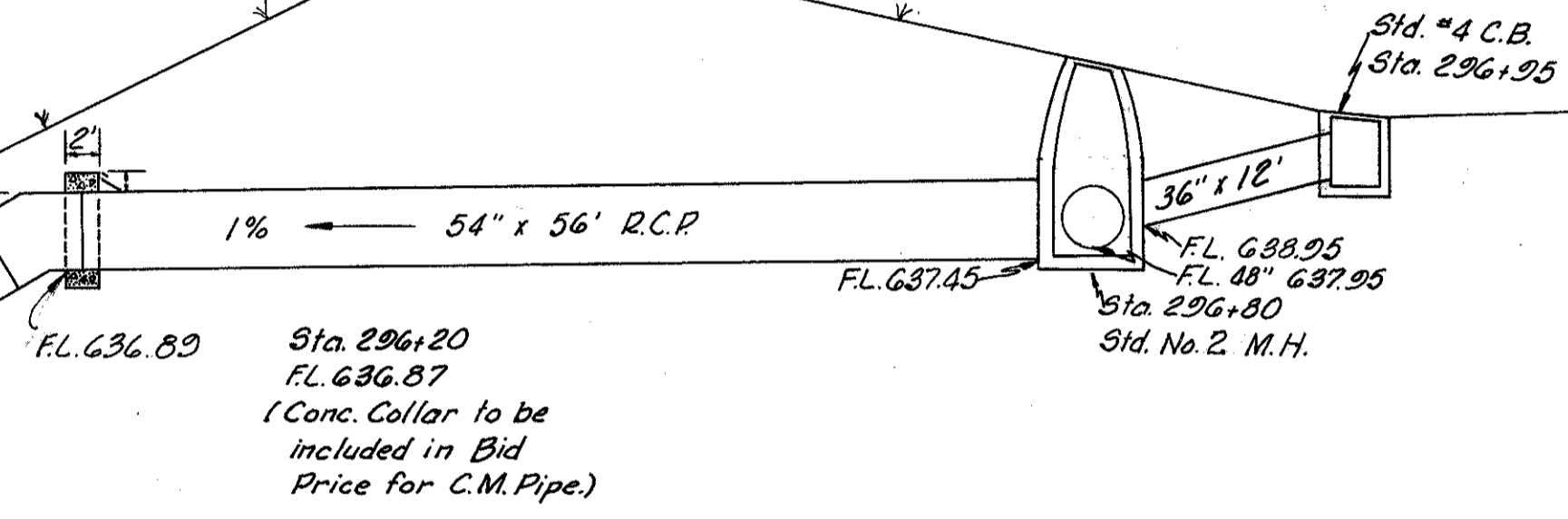
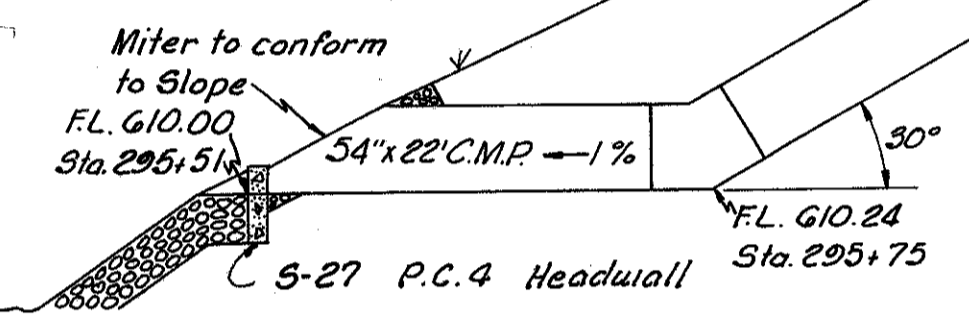
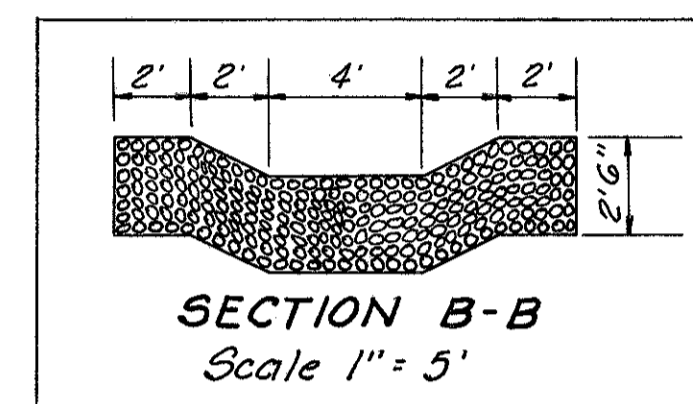
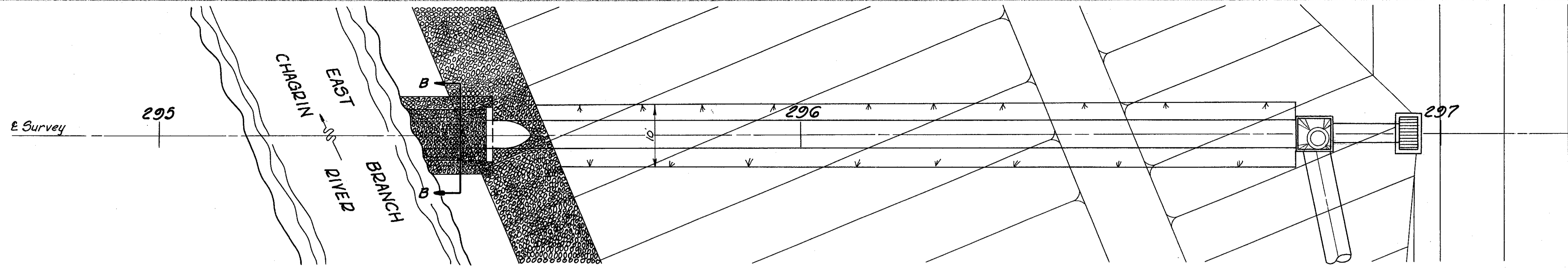


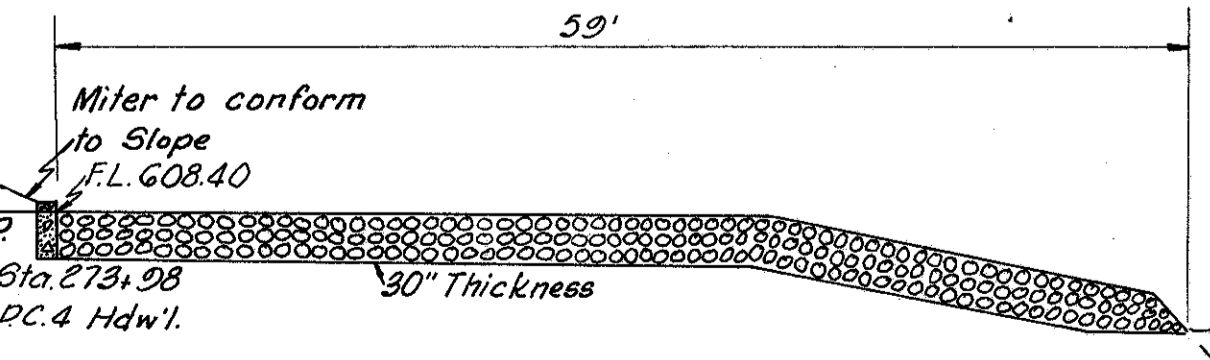
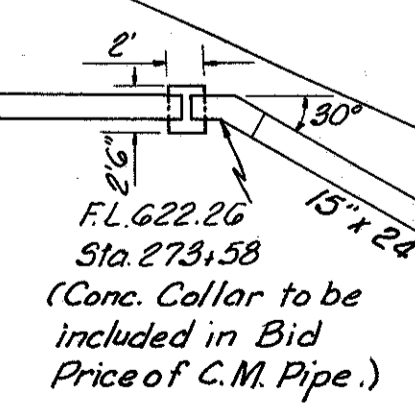
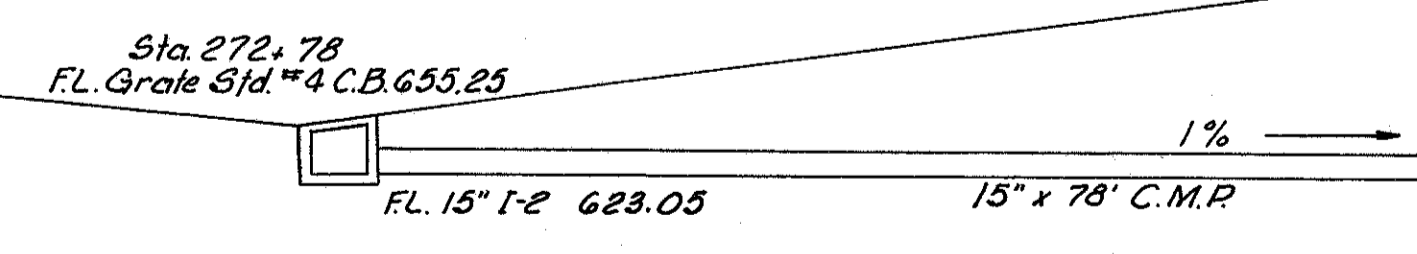
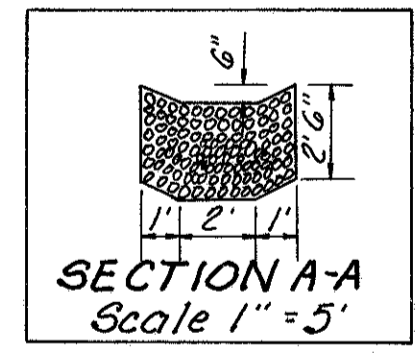
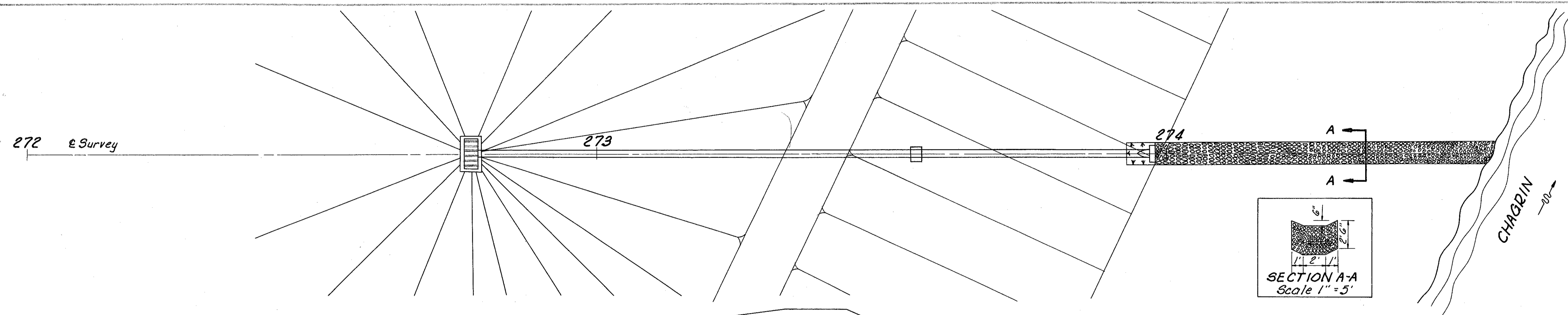
FED. RD. DIVISION	STATE	PROJECT	
2	OHIO	I-1103 (20) S-46 (7)	249 333

LAKE COUNTY
LAK-1- 4.02



Storm Sewer Detail @ Sta. 296+95

Scale: 1" = 10'



Storm Sewer Detail @ Sta. 272+78

Scale: 1" = 10'

MICHAEL BAKER JR., CONSULTING ENGINEERS ROCHESTER, PENNSYLVANIA					
STATE OF OHIO DEPARTMENT OF HIGHWAYS STATE HIGHWAY NO. 1 C-44					
STORM SEWER DETAILS					
Designed	Drawn	Traced	Checked	Reviewed Date	Revised
L.I.	J.D.	L.G.	E.H.		

STORM SEWER DETAILS