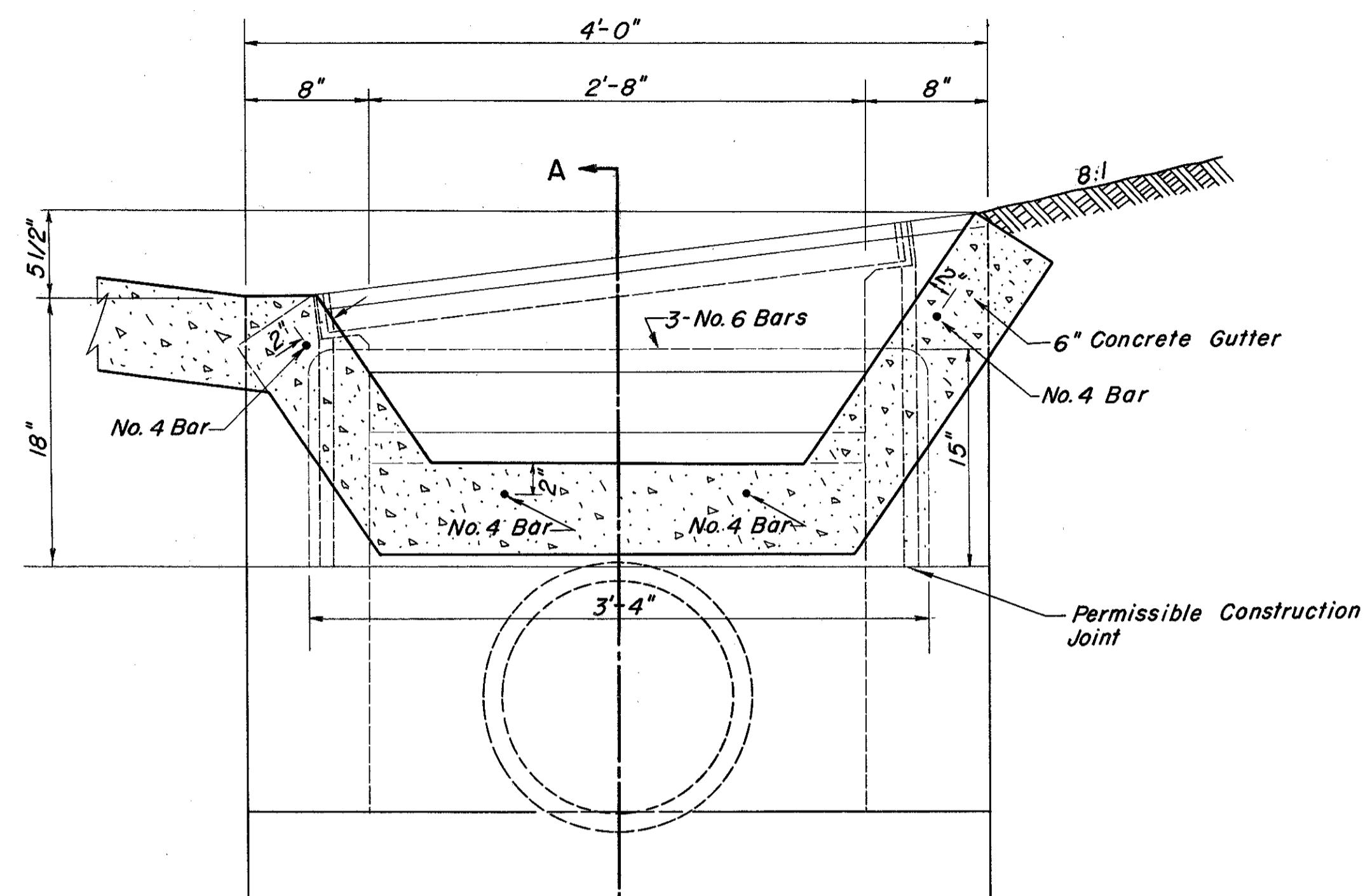


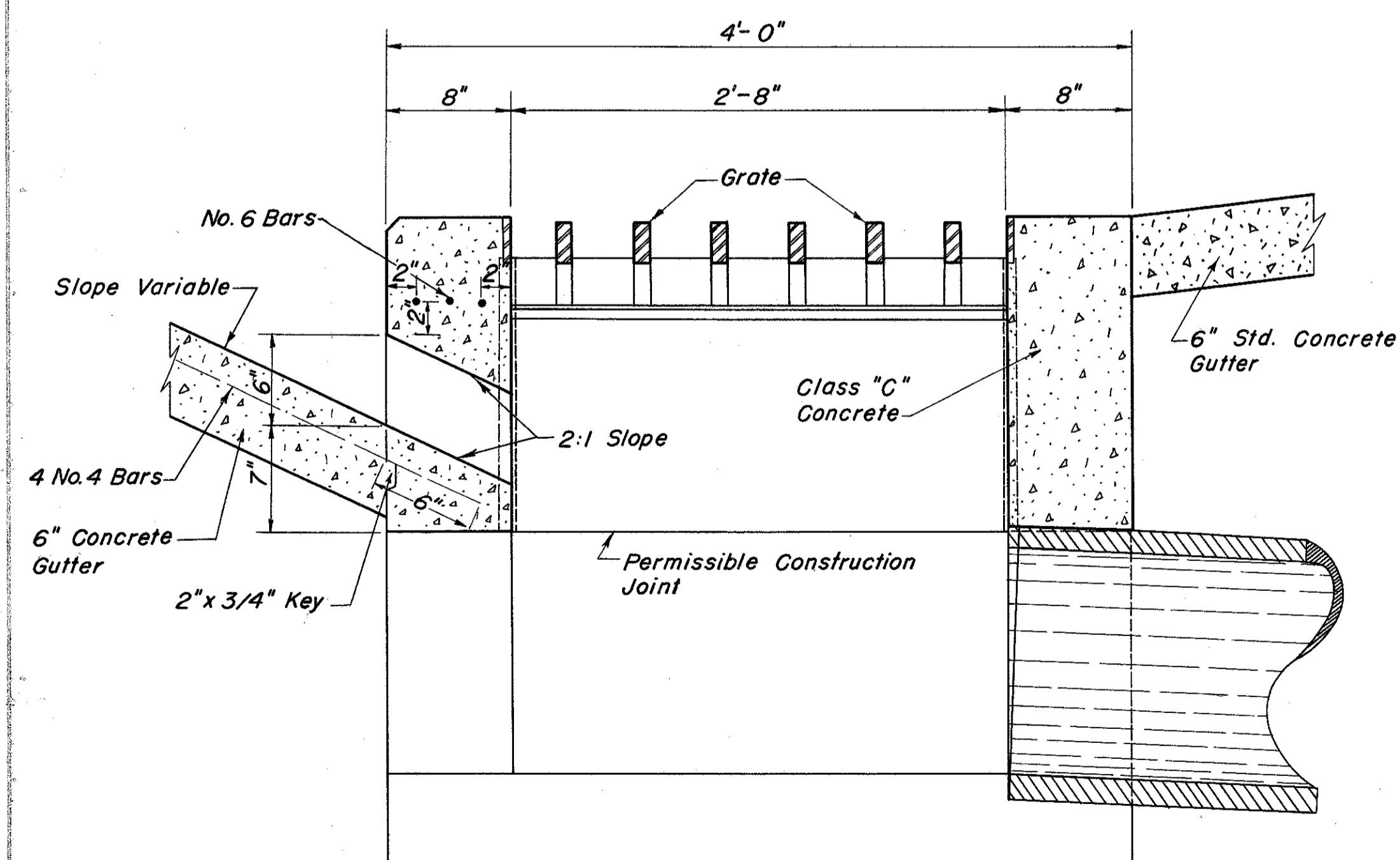
MODIFIED STANDARD No. 5 CATCH BASIN with MODIFIED TYPE I PAVED GUTTER

FED. RD. DIVISION	STATE	PROJECT	248
2	OHIO	I-1103 (20) S-46 (7)	333

LAKE COUNTY
LAK-1-4.02

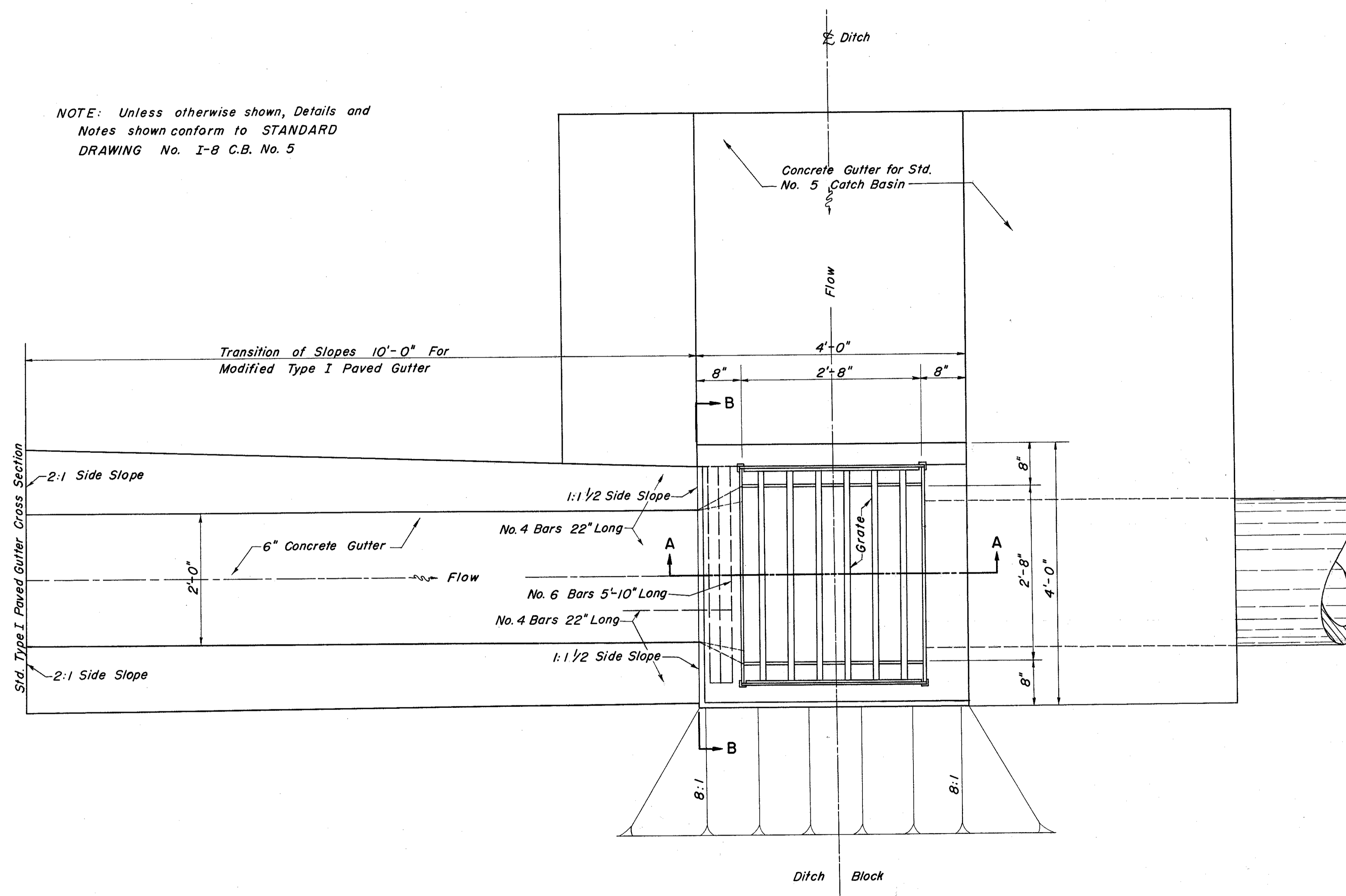


SECTION B-B



SECTION A-A

NOTE: Unless otherwise shown, Details and Notes shown conform to STANDARD DRAWING No. I-8 C.B. No. 5



PLAN

MICHAEL BAKER, JR., CONSULTING ENGINEERS
ROCHESTER PENNSYLVANIA

STATE OF OHIO
DEPARTMENT OF HIGHWAYS
STATE HIGHWAY NO. 1 - C-44
MODIFIED STD. NO. 5 CATCH BASIN
WITH MODIFIED TYPE I PAVED GUTTER

Designed	Drawn	Traced	Checked	Reviewed Date	Revised
W.H.T.	K.A.	K.A.	L.L.		