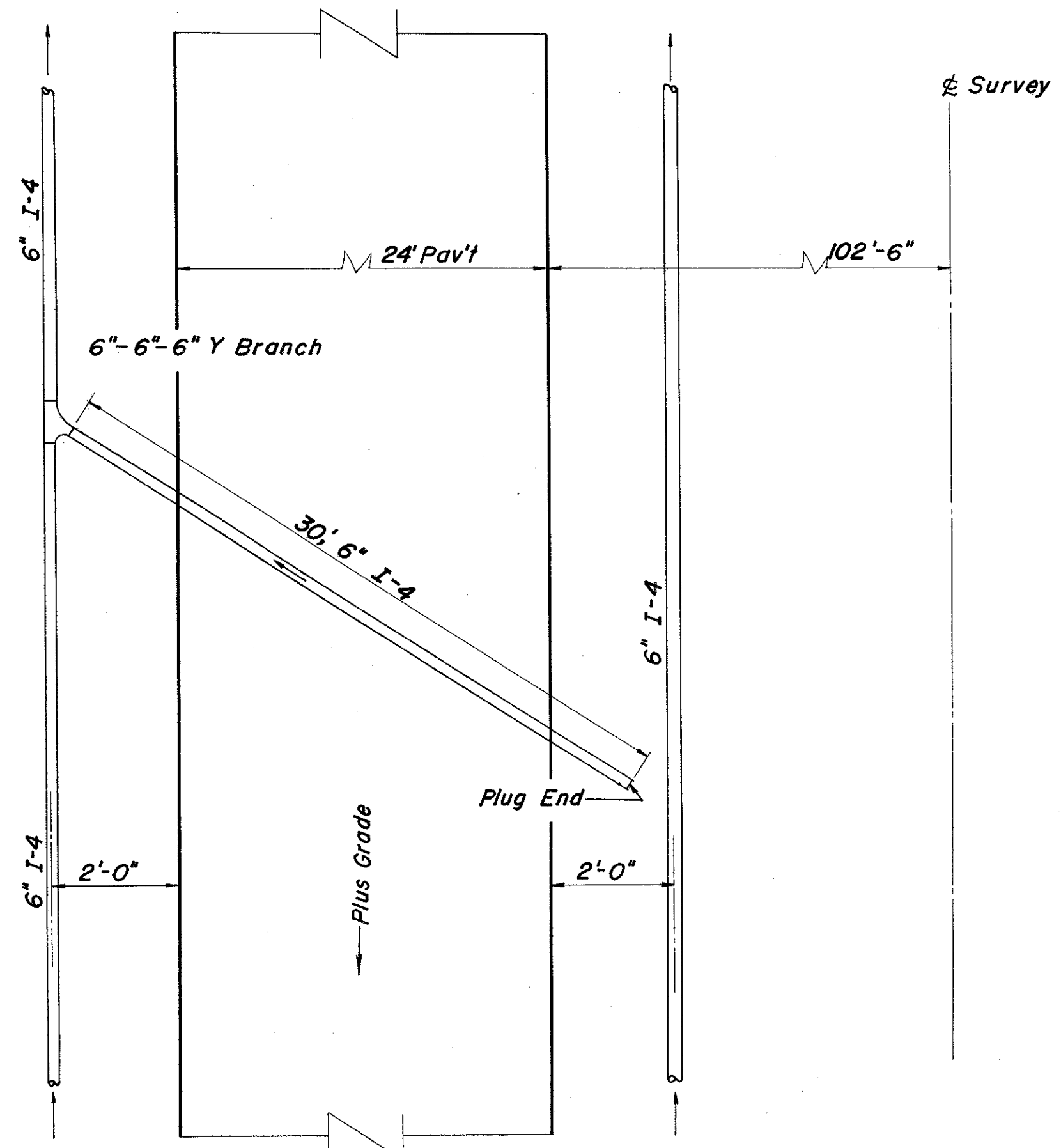
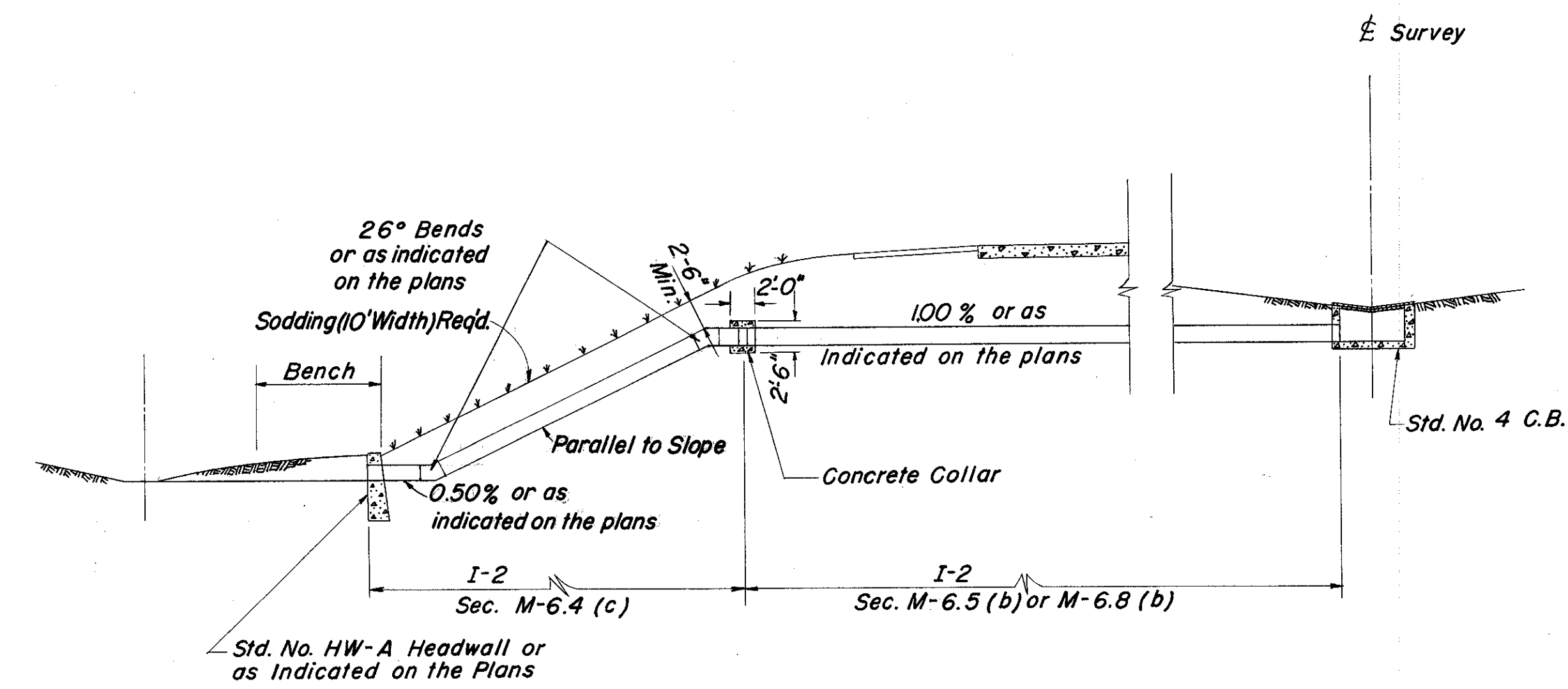


LAKE COUNTY  
LAK-1-4.02

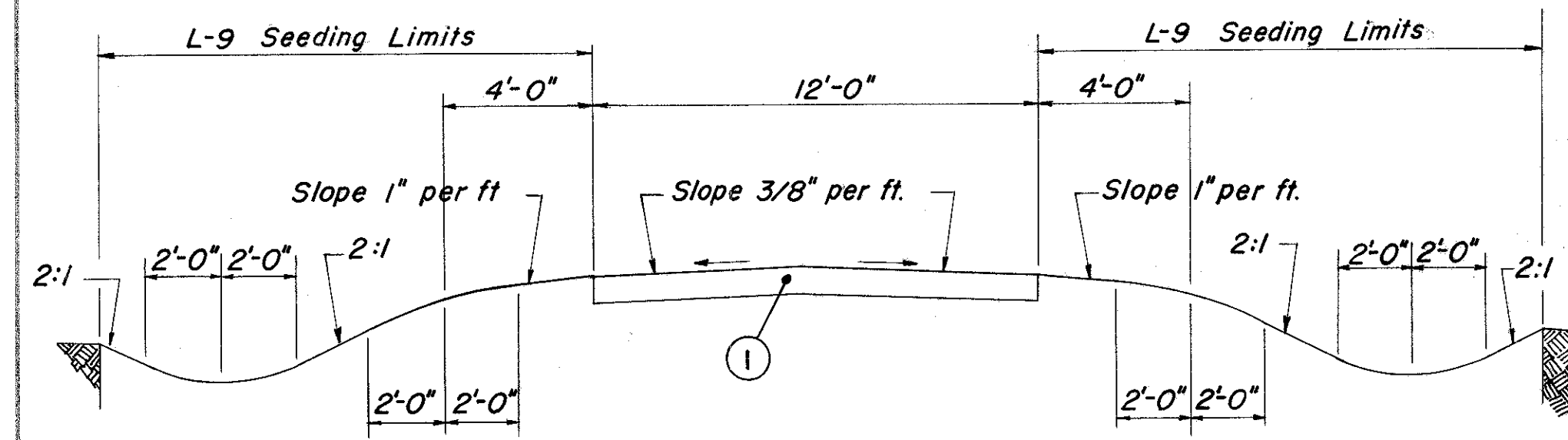


TRANSVERSE UNDERDRAIN DETAIL "G"



NOTE: Concrete collar to be included in bid price for I-2 pipe

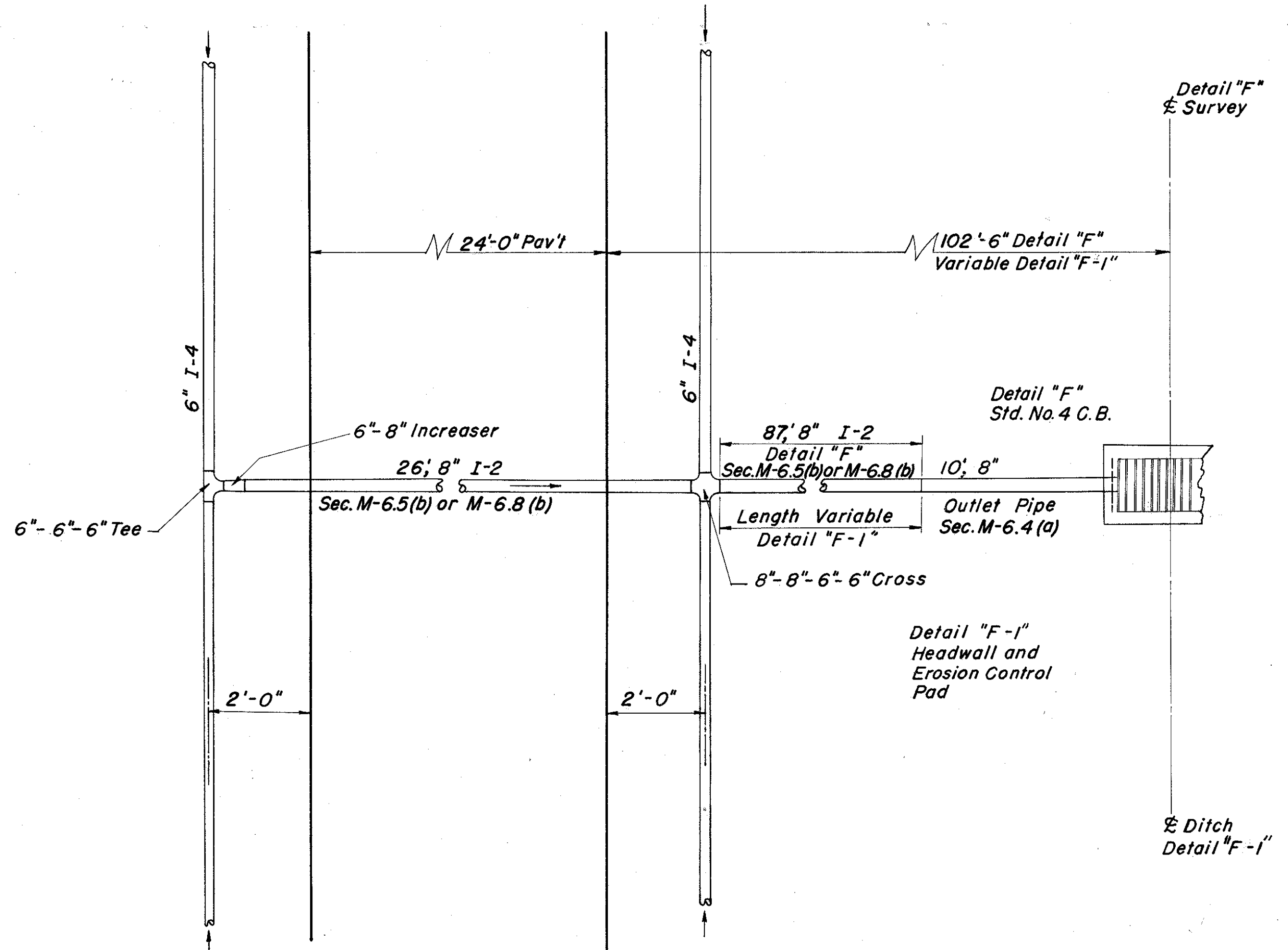
MEDIAN OUTLET DETAIL IN HIGH FILL "H"



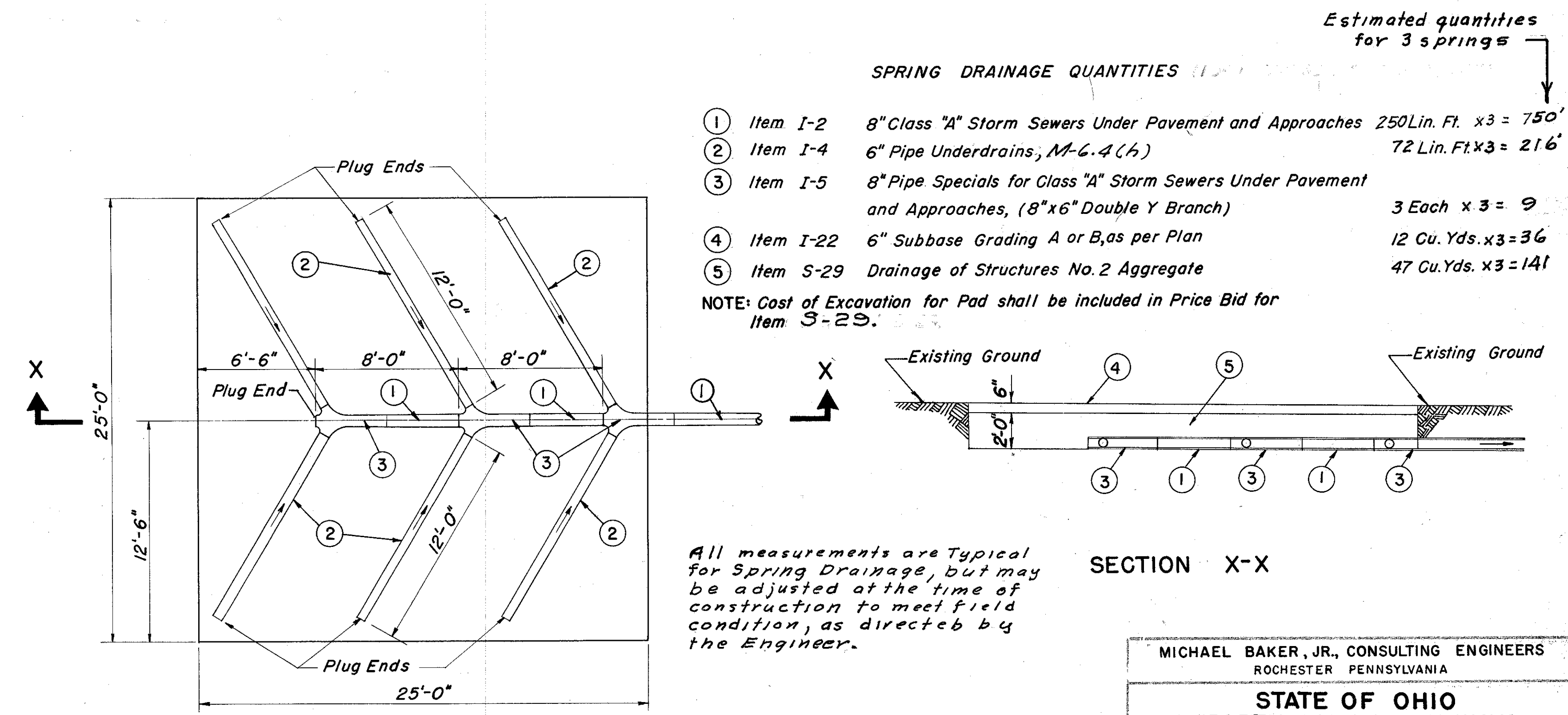
① Item B-119, 8" Crushed Aggregate Base Course for Private Drives  
6" Crushed Aggregate Base Course for Field Drives

TYPICAL SECTION TYPE 2 DRIVE

Scale: 1/4" = 1'-0"



UNDERDRAIN OUTLET DETAIL "F" & "F-1"



TYPICAL SPRING DRAINAGE DETAIL

- Estimated quantities for 3 springs
- SPRING DRAINAGE QUANTITIES
- ① Item I-2 8" Class "A" Storm Sewers Under Pavement and Approaches 250 Lin. Ft. x3 = 750'
  - ② Item I-4 6" Pipe Underdrains, M-6.4 (h) 72 Lin. Ft. x3 = 216'
  - ③ Item I-5 8" Pipe Specials for Class "A" Storm Sewers Under Pavement and Approaches, (8"x6" Double Y Branch) 3 Each x 3 = 9
  - ④ Item I-22 6" Subbase Grading A or B, as per Plan 12 Cu. Yds. x3 = 36
  - ⑤ Item S-29 Drainage of Structures No. 2 Aggregate 47 Cu. Yds. x3 = 141
- NOTE: Cost of Excavation for Pad shall be included in Price Bid for Item: S-29.

All measurements are Typical for Spring Drainage, but may be adjusted at the time of construction to meet field condition, as directed by the Engineer.

MICHAEL BAKER, JR., CONSULTING ENGINEERS  
ROCHESTER PENNSYLVANIA

STATE OF OHIO  
DEPARTMENT OF HIGHWAYS  
STATE HIGHWAY NO. 1  
C-44  
MISCELLANEOUS DETAILS

Designed	Drawn	Traced	Checked	Reviewed Date	Revised
L.I.	K.M.A.	K.M.A.	B.P.		