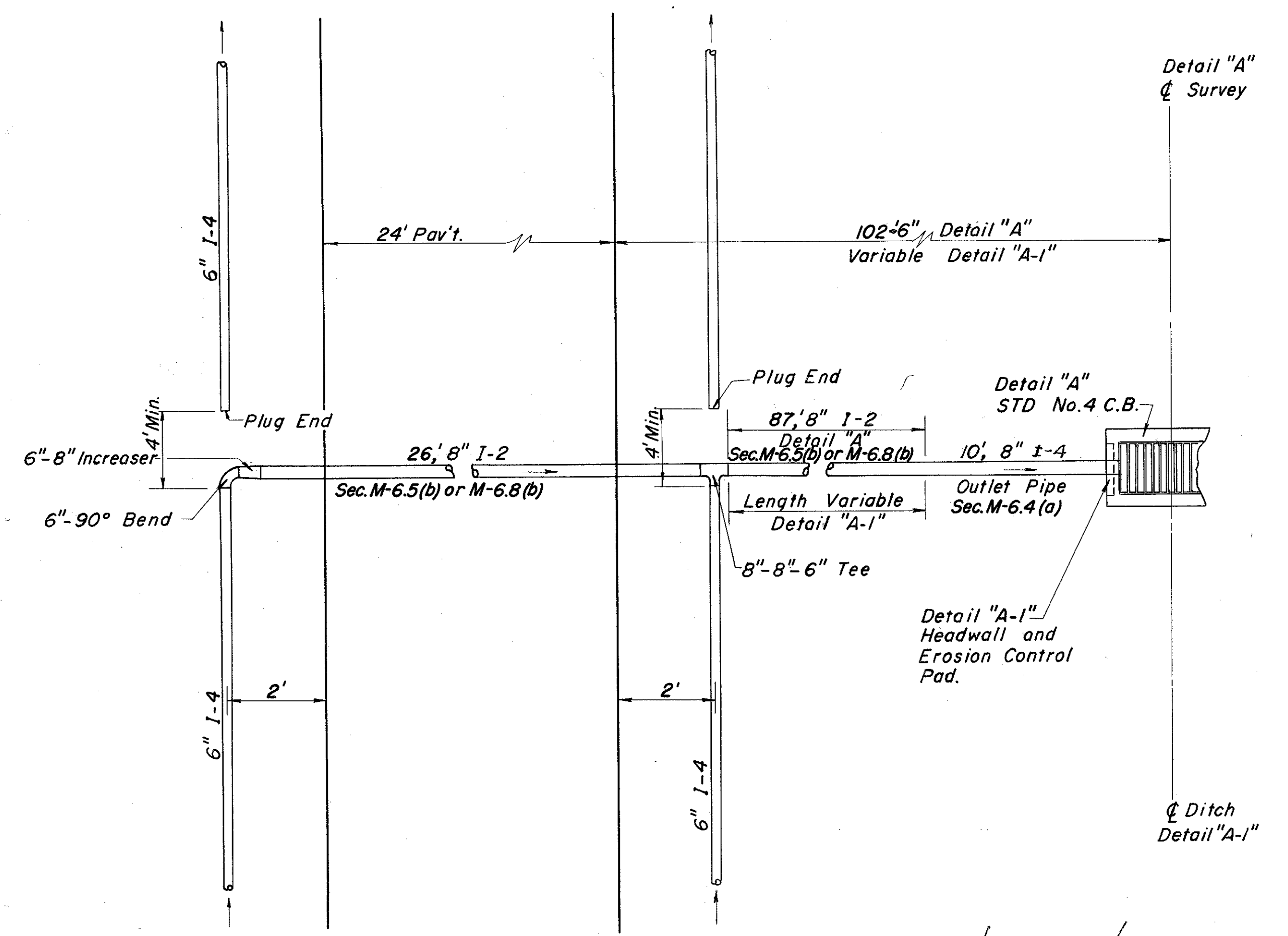
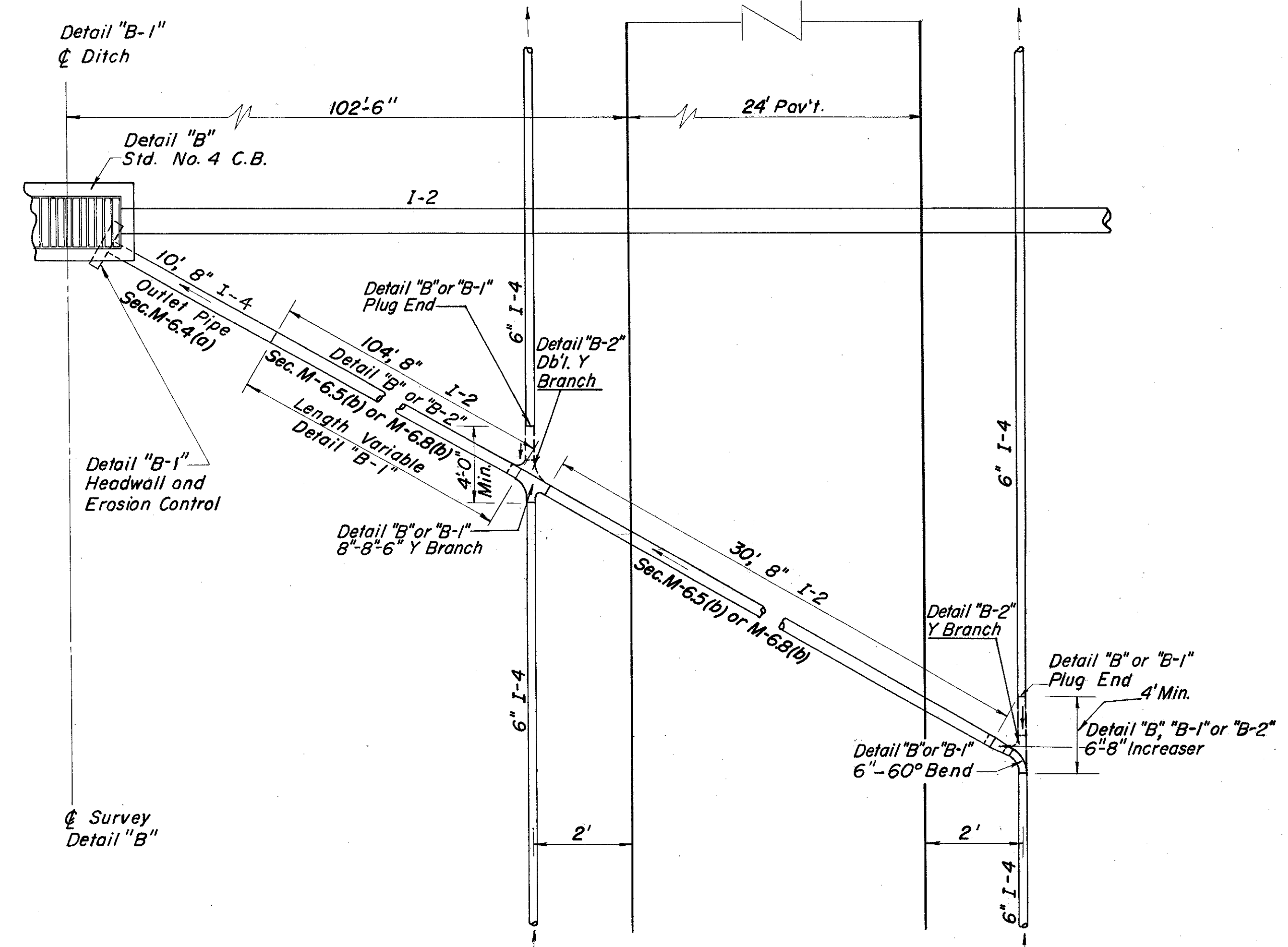


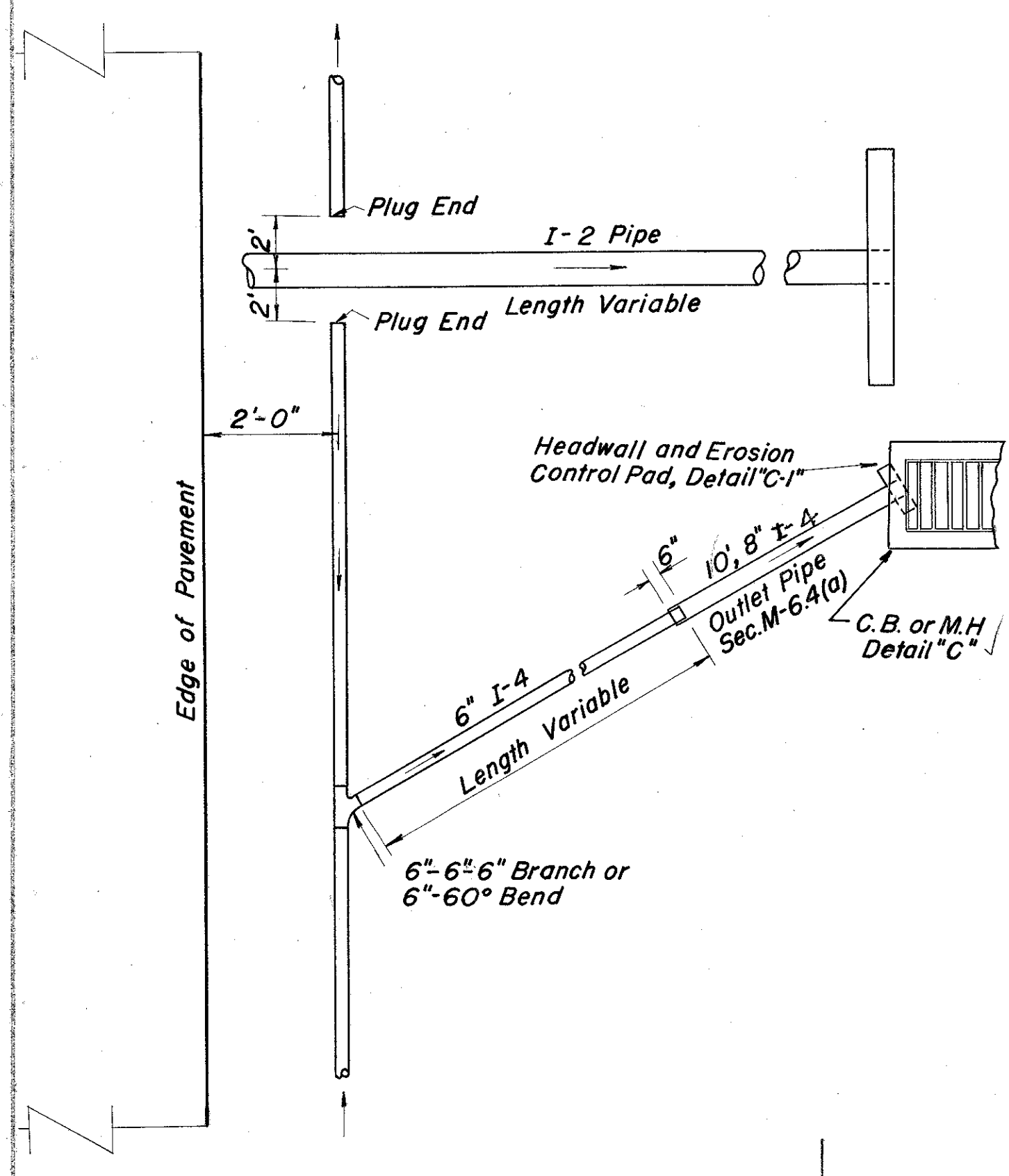
LAKE COUNTY  
LAK-1-4.02



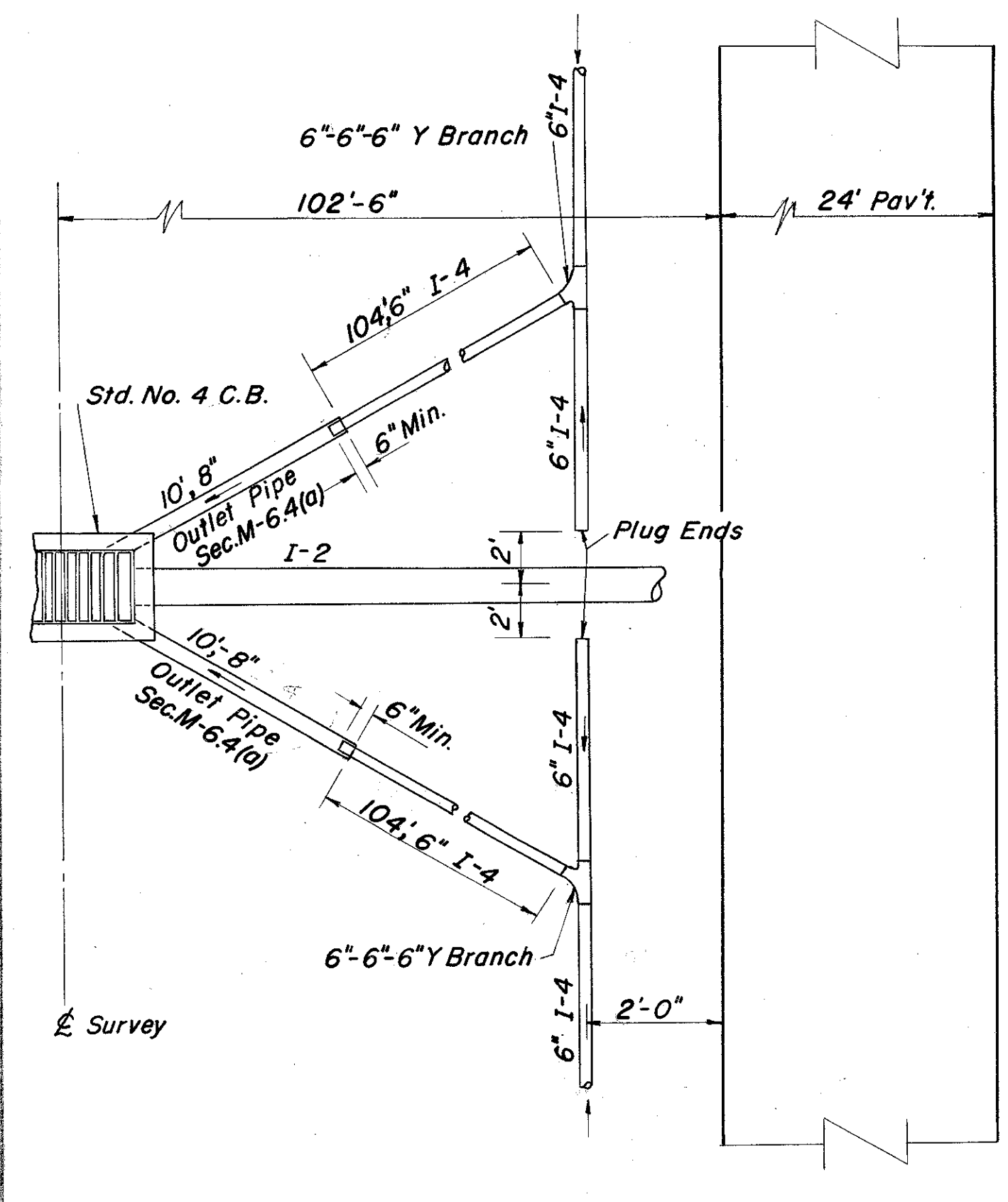
UNDERDRAIN OUTLET DETAIL "A" & "A-1"



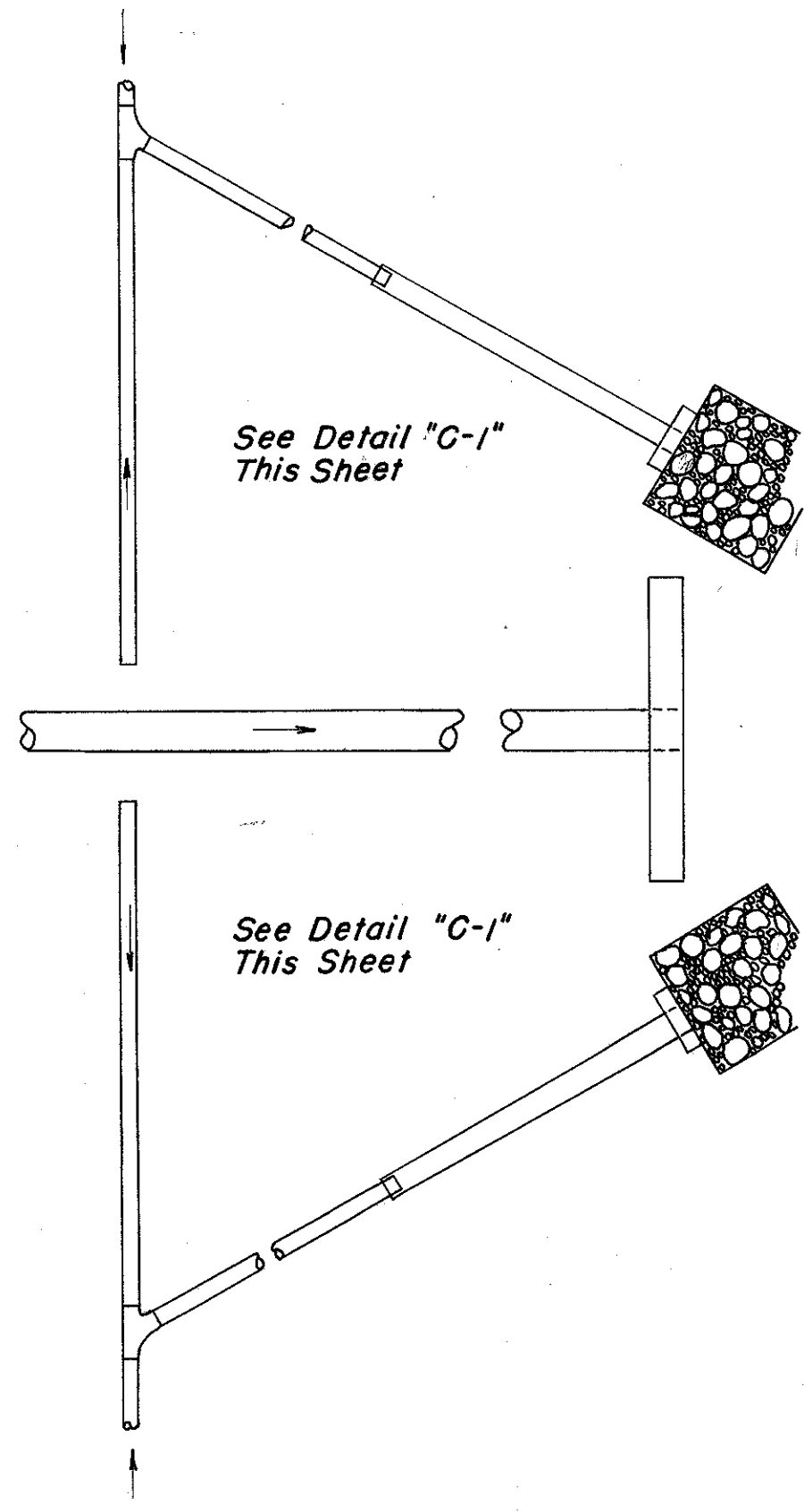
UNDERDRAIN OUTLET DETAIL "B", "B-1" & "B-2"



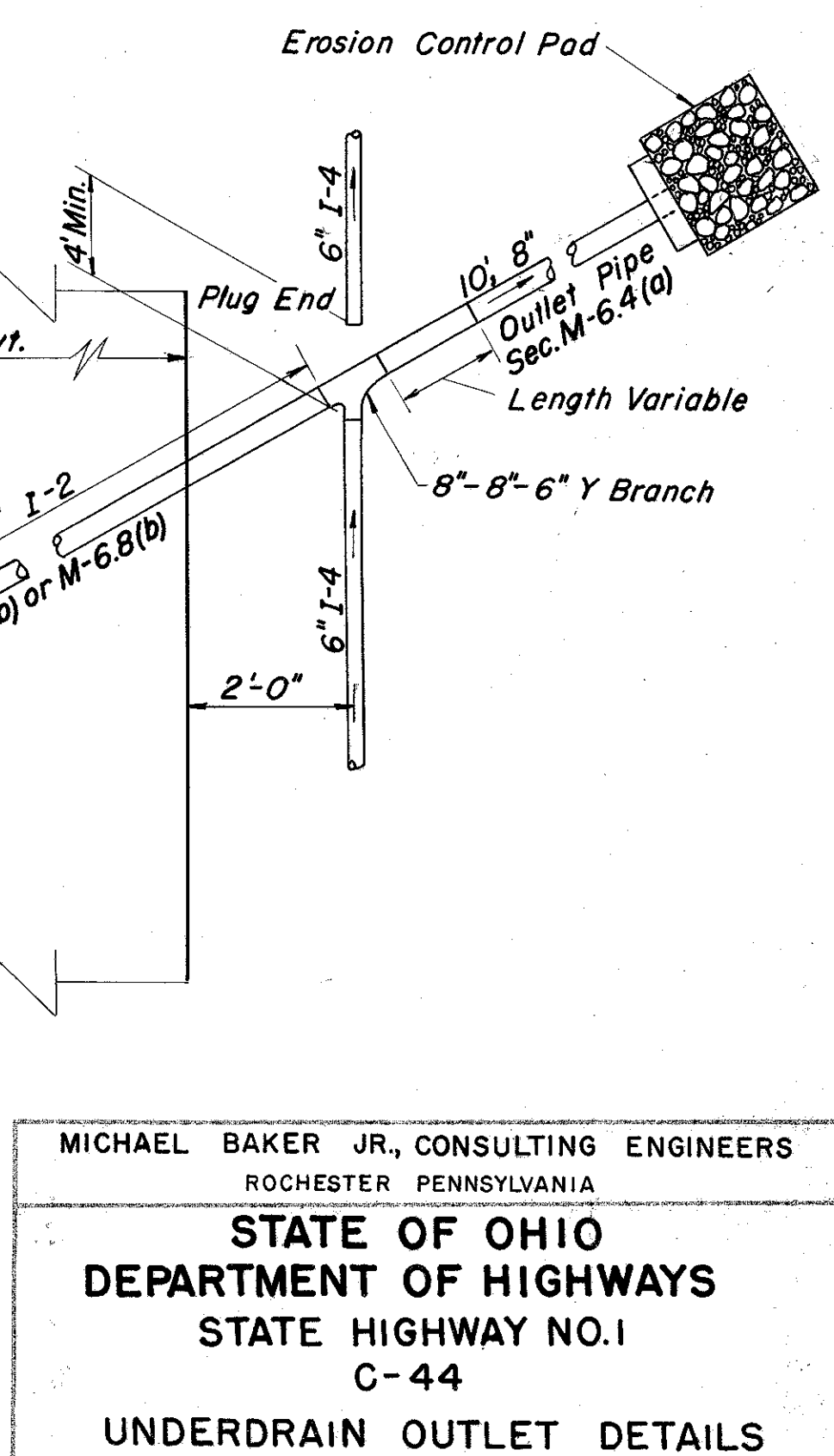
UNDERDRAIN OUTLET DETAIL "C" & "C-1"



UNDERDRAIN OUTLET DETAIL "D"



UNDERDRAIN OUTLET DETAIL "E"



MICHAEL BAKER JR., CONSULTING ENGINEERS  
ROCHESTER PENNSYLVANIA

STATE OF OHIO  
DEPARTMENT OF HIGHWAYS  
STATE HIGHWAY NO.1  
C-44

UNDERDRAIN OUTLET DETAILS

Designed	Drawn	Traced	Checked	Reviewed Date	Revised
B.P.	K.A.	K.A.	L.I.		