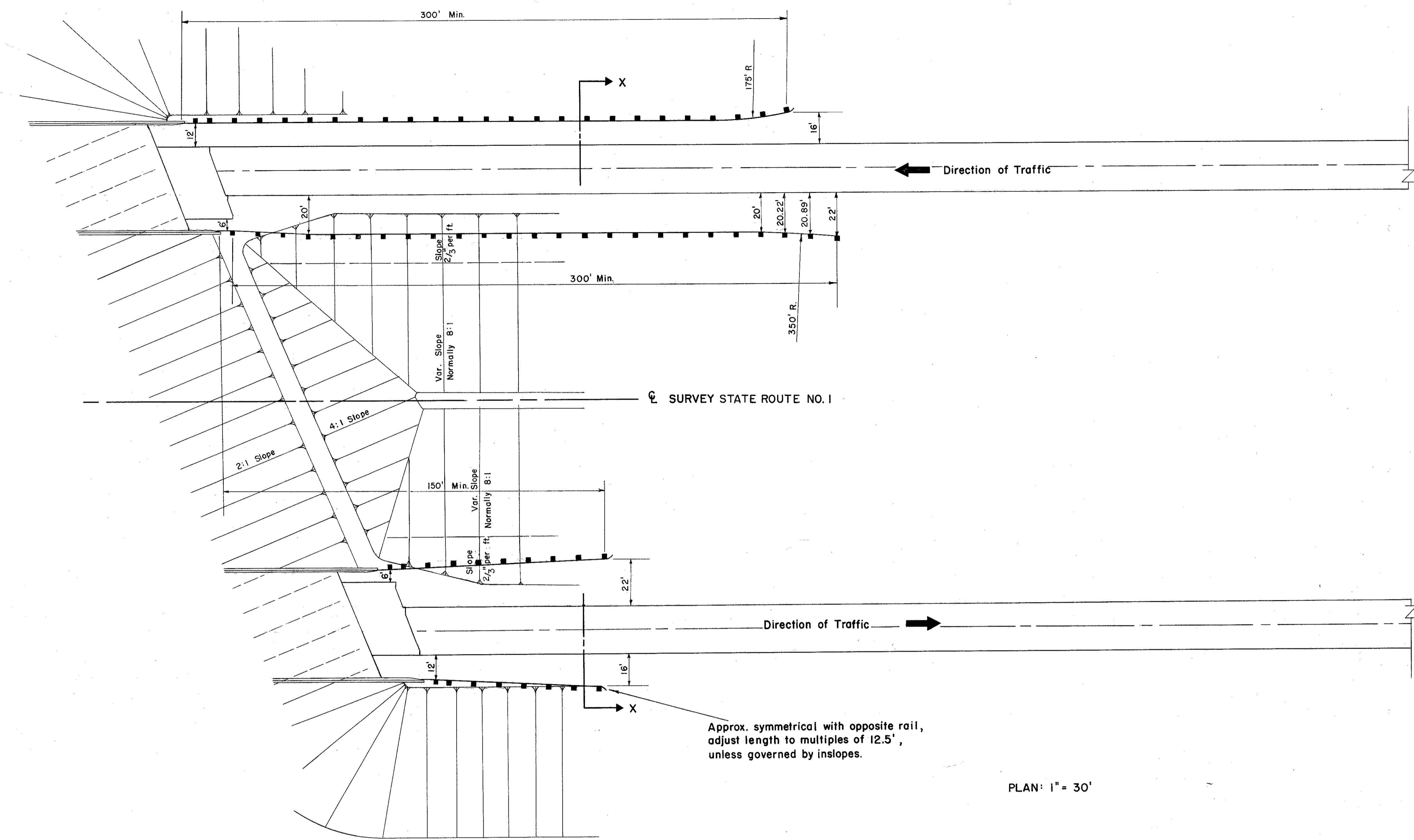
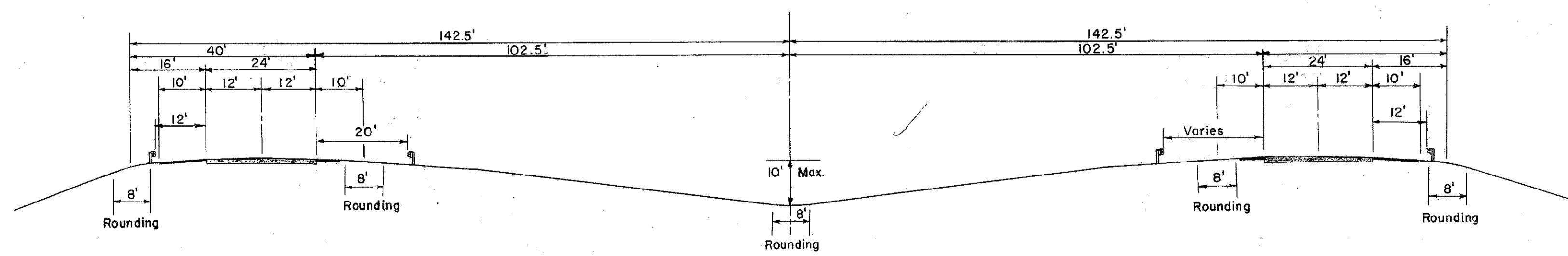


LAKE COUNTY  
LAK-1-4.02



Approx. symmetrical with opposite rail,  
adjust length to multiples of 12.5',  
unless governed by inslopes.

PLAN: 1" = 30'



SECTION X-X  
1" = 20'

MICHAEL BAKER JR., CONSULTING ENGINEERS  
ROCHESTER, PENNSYLVANIA

STATE OF OHIO  
DEPARTMENT OF HIGHWAYS  
STATE HIGHWAY NO. 1  
C-44  
TWIN STRUCTURES  
PROTECTION DETAILS

Designed	Drawn	Traced	Checked	Reviewed	Date	Revised
B.P.	A.G.	L.W.	E.H.			