

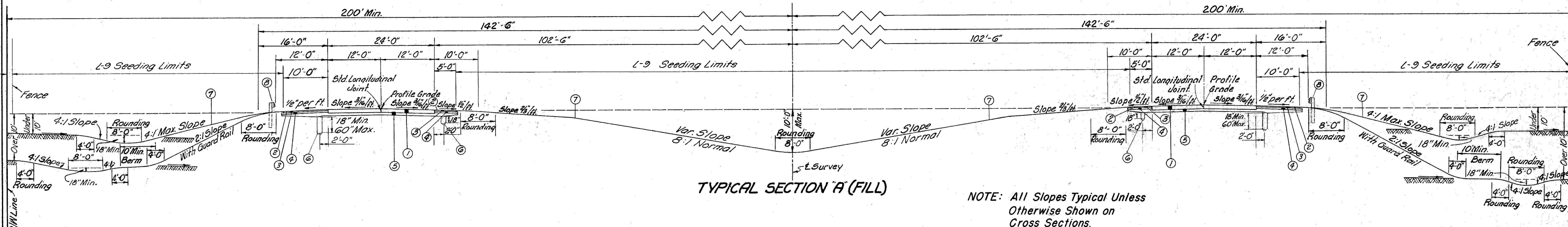
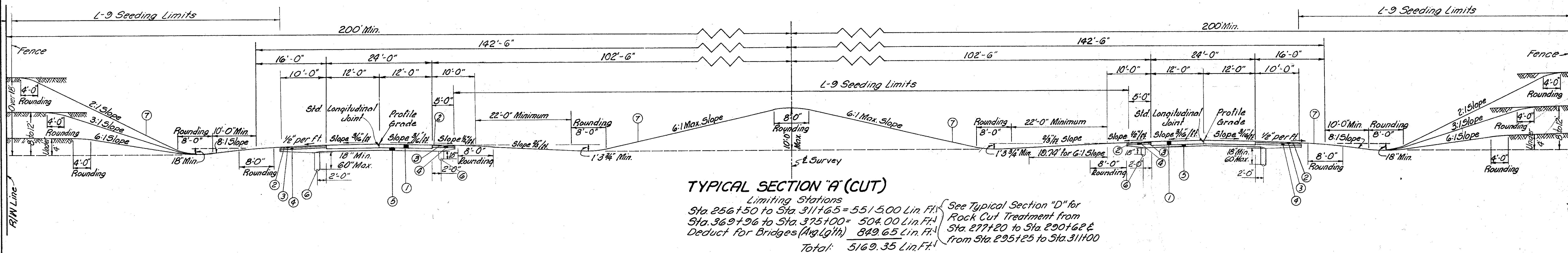
TYPICAL SECTIONS

FED. RD. DIVISION	STATE	PROJECT	
2	OHIO	I-1103 (20) S-46-(7)	4 333

LAKE COUNTY
LAK-1-4.02

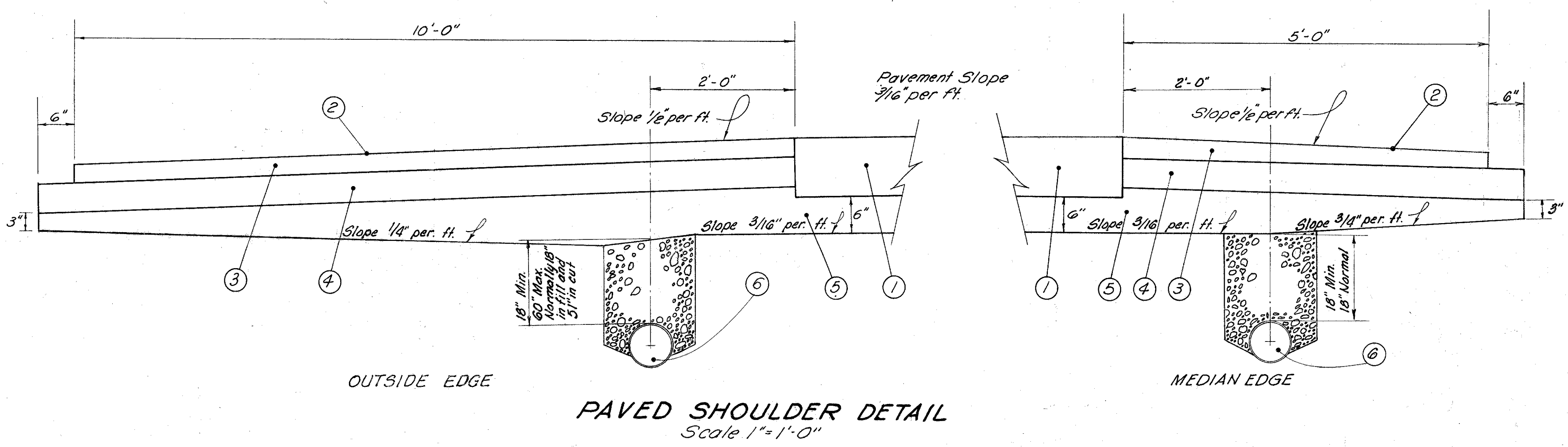
T-71

Scale: 3/32" = 1' 0"



-LEGEND-

- ① T-71 10" Reinforced Portland Cement Concrete Pavement
- ② T-31 Bituminous Surface Treatment (See Proposal)
- ③ B-2/9 3" Waterproofed Aggregate Base Course
- ④ I-18 5" Stabilized Crushed Aggregate Shoulders and Approaches
- ⑤ I-22 Subbase (Variable Depth), Grading A or B, as per Plan
- ⑥ I-4 6" Pipe Underdrain
- ⑦ L-9 Seeding and Protecting Roadway Areas
- ⑧ I-15 Guard Rail Steel Beam Type (deep) in accordance with Standard drawing I-15 No. 2-B



MICHAEL BAKER JR., CONSULTING ENGINEERS ROCHESTER, PENNSYLVANIA					
STATE OF OHIO DEPARTMENT OF HIGHWAYS STATE HIGHWAY NO. 1					
C-44 TYPICAL SECTIONS					
Designed	Drawn	Traced	Checked	Reviewed Date	Revised
B.P.	H.G.	A.G.	E.H.		