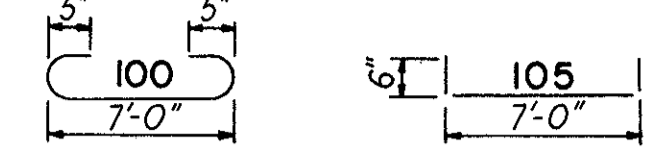


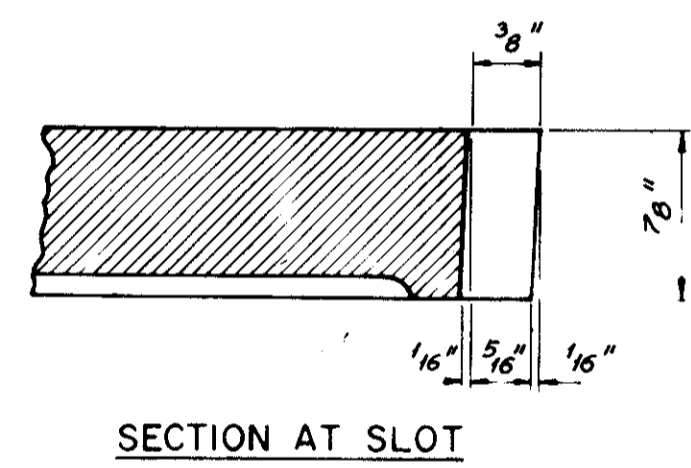
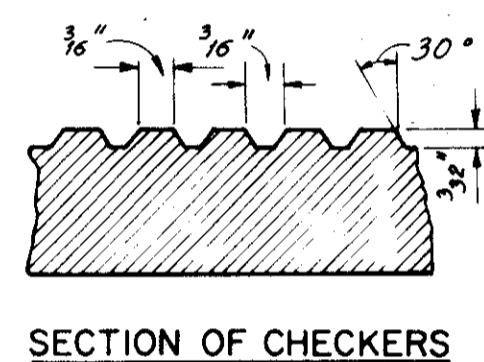
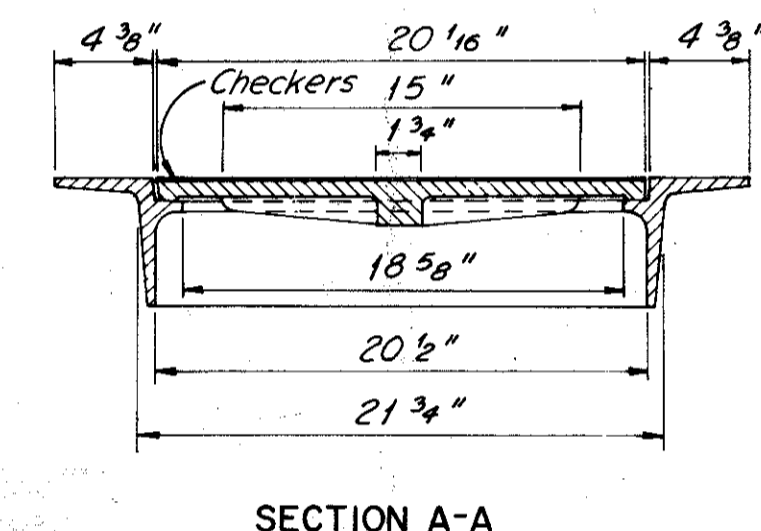
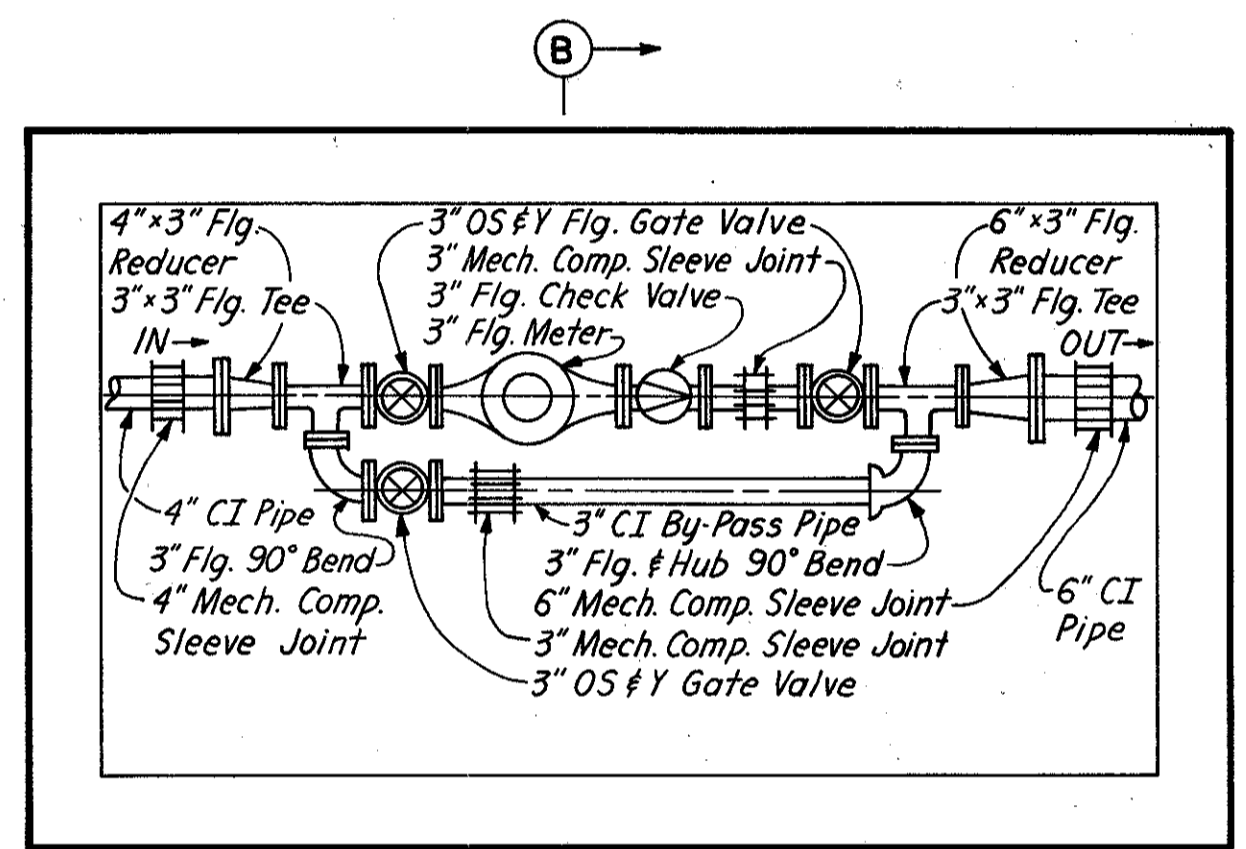
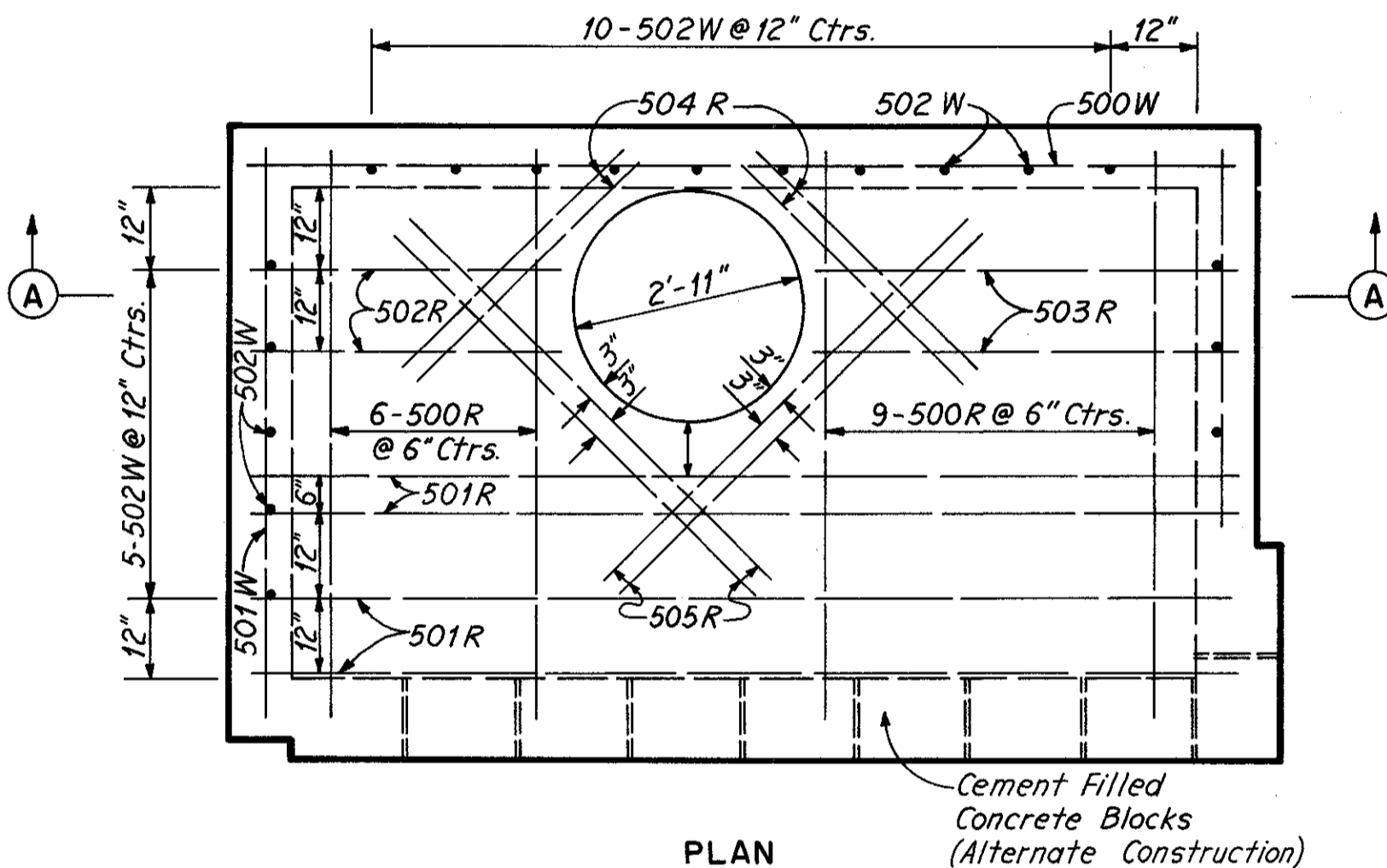
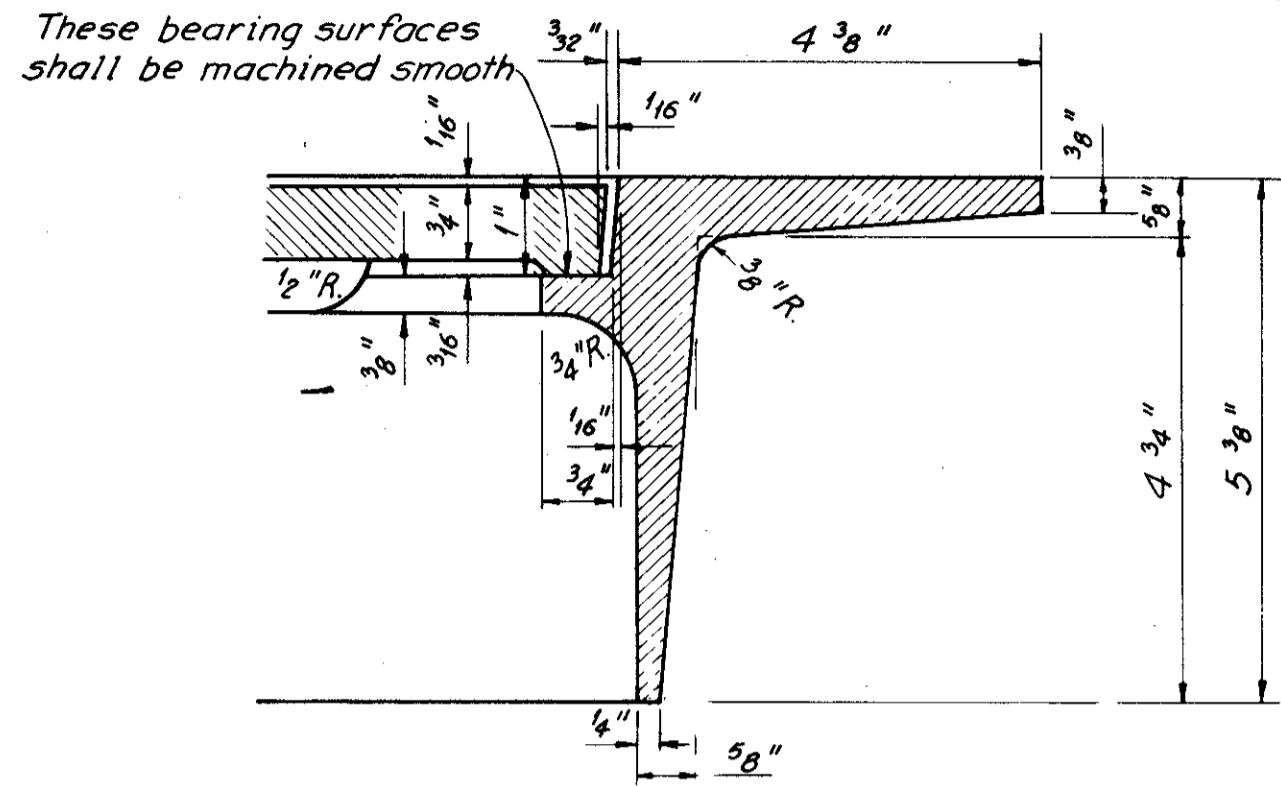
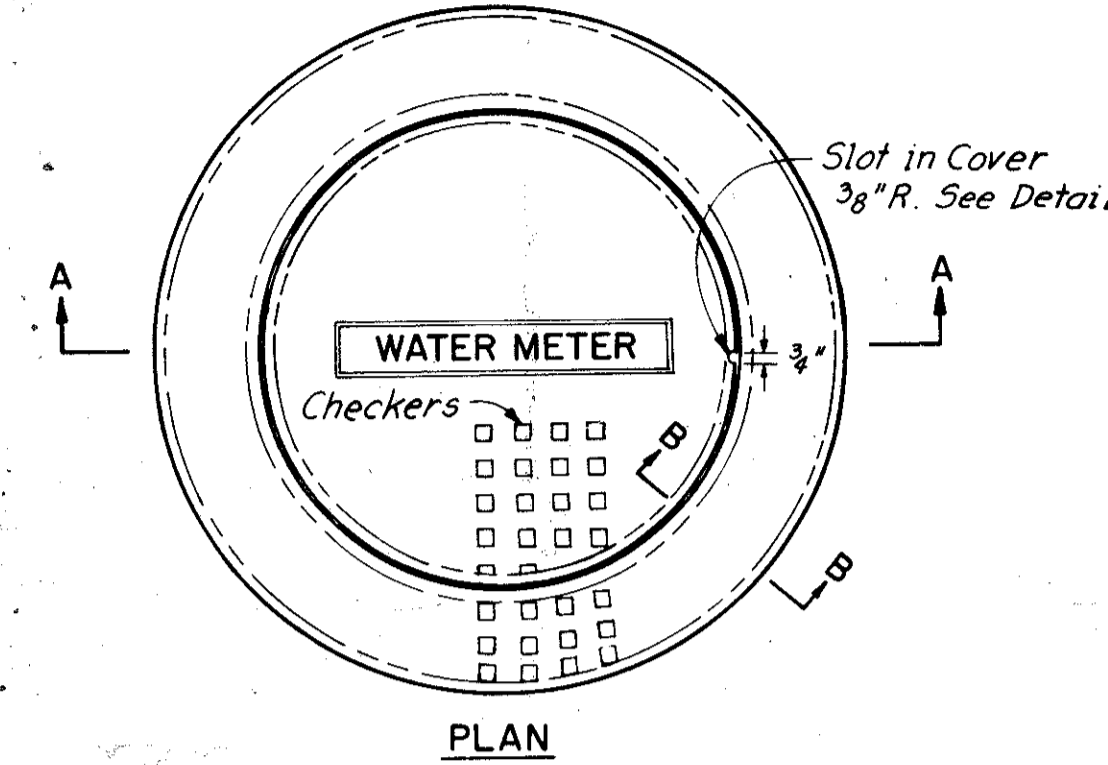
BAR SCHEDULE FOR METER VAULT



NO	SIZE	LENGTH	MARK	TYPE	WEIGHT
ROOF					
15	5	8'-2"	500R	100	5127
4	4	12'-0"	501R	Str.	32
2	4	3'-9"	502R	Str.	4
2	4	5'-2"	503R	Str.	6
4	4	3'-9"	504R	Str.	9
4	4	6'-3"	505R	Str.	14
BASE					
21	5	8'-2"	500B	100	178
7	4	12'-0"	501B	Str.	56
WALLS					
10	4	12'-0"	500W	Str.	80
10	4	7'-0"	501W	Str.	47
30	4	8'-0"	502W	105	161

MATERIAL FOR METER VAULT

Excavation	= 46 Cu. Yds.
Concrete	= 11.2 Cu. Yds.
Reinforcing Steel	= 714 Lbs.
Sand	= 2 1/2 Cu. Yds.
Portland Cement	= 1 Bag
Lime	= 1/2 Bag
Manhole Steps	= 5 Each
Brick	= 100 or 150 Each



MANHOLE FRAME AND COVER MARK NO. 2

3" METER VAULT

The work included under this item consists of constructing a Meter Vault in accordance with the details shown on the plans and under the supervision of the City of Painesville Water Department.

Payment will be made at contract unit price bid per each "Item 604 -3" meter vault", which price and payment shall constitute full compensation for the furnishing of all labor, materials, tools and equipment required to complete this item of work.

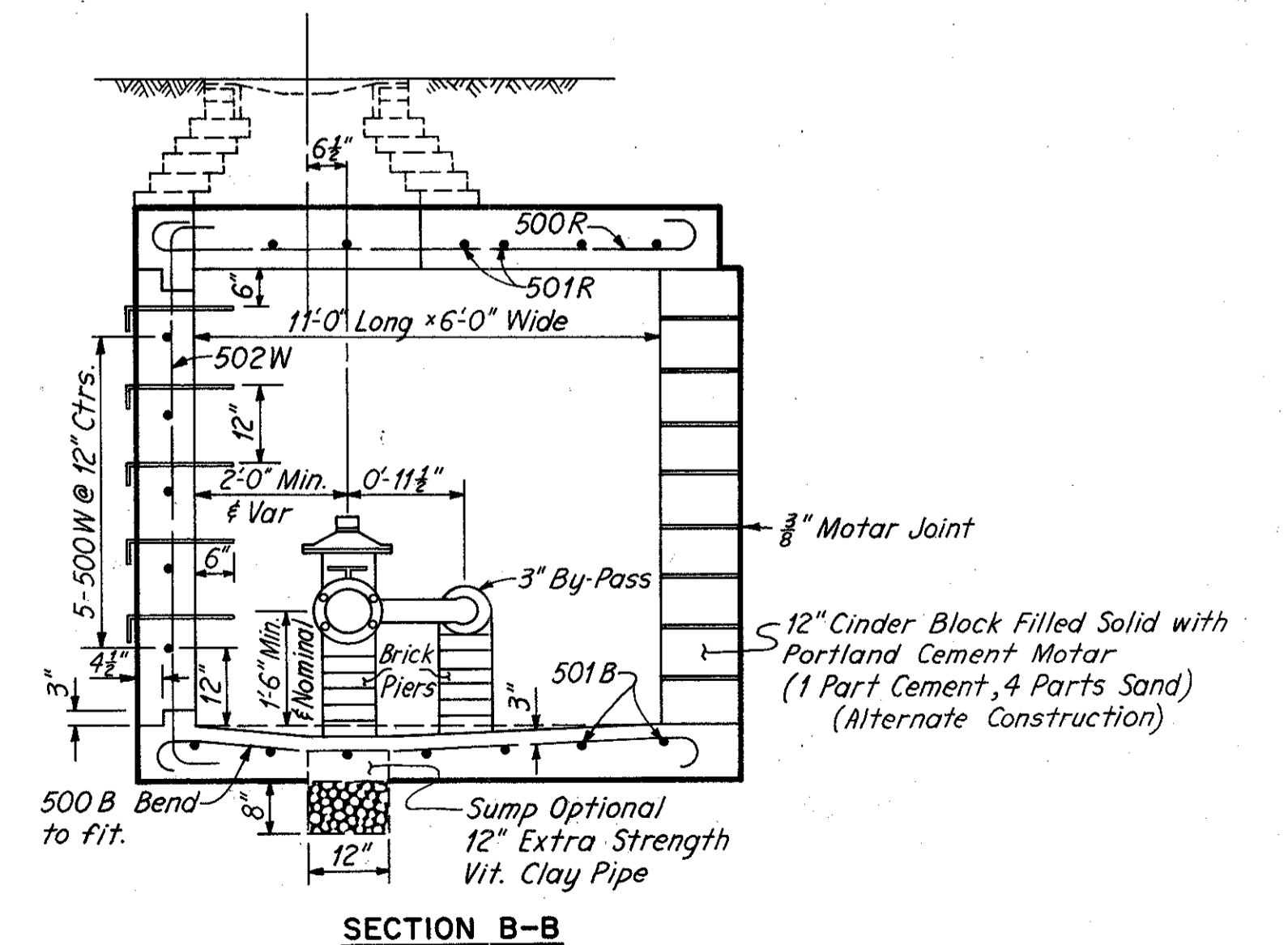
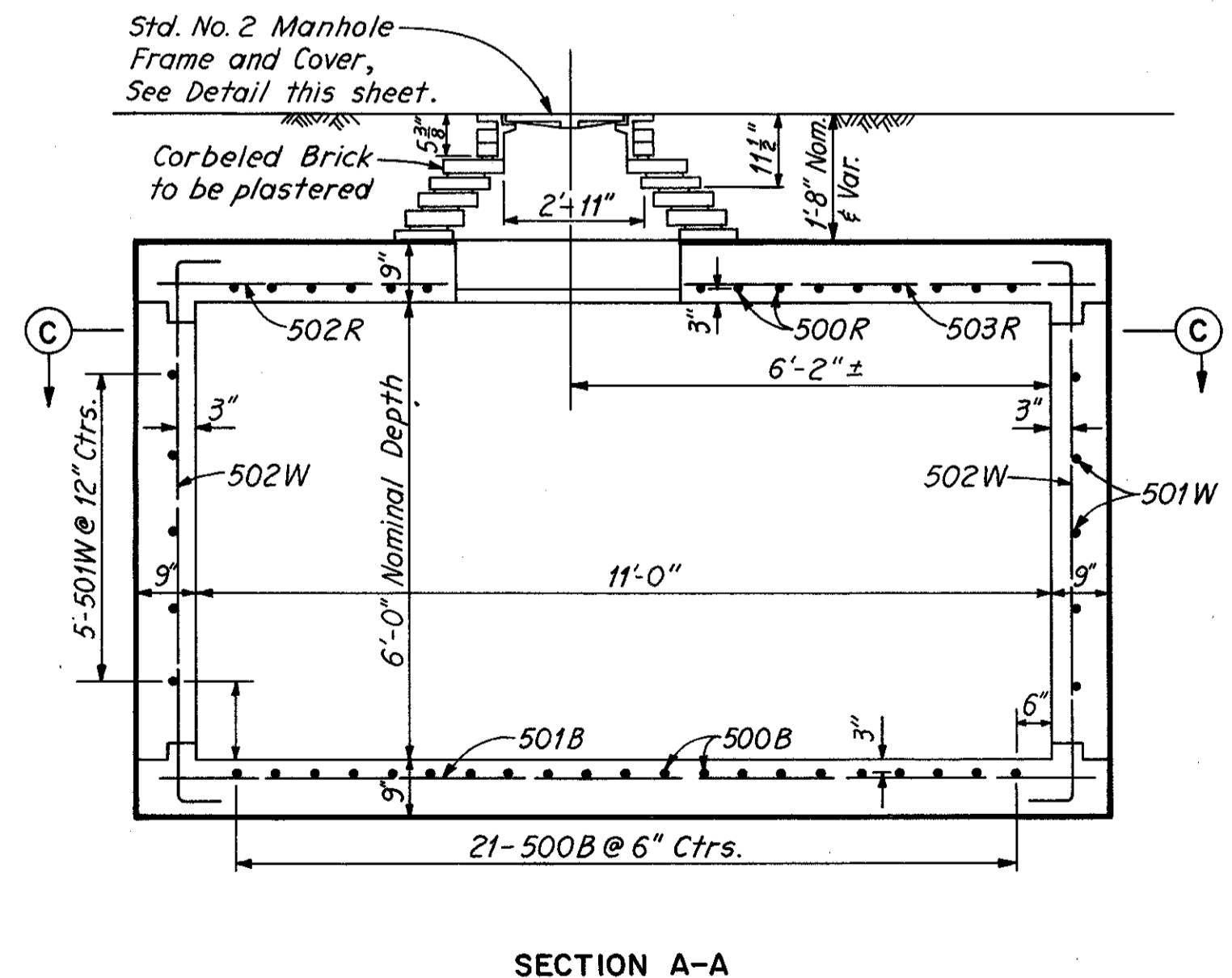
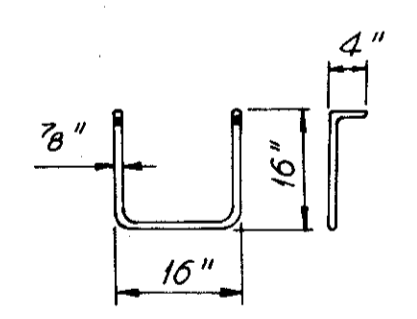
NEW 3" WATER METER, PIPING, FITTINGS, VALVES AND APPURTENANCES

This work consists of furnishing, setting and connecting the new 3" Water meter in the meter vault at the location shown on the plans. The Contractor shall furnish and install all necessary pipe, fittings, and meter in the new meter vault including the furnishing of all necessary labor, materials, tools and equipment required to complete this item of work.

The water meter shall be 3" Rockwell Single Register or 3" Neptune Compound Two (2) Dial or approved equal.

This work is subject to requirements of and under the supervision of the City of Painesville Water Department.

Payment will be made at contract unit price bid per each "Item 814-3" New Water Meter complete as per plan", which price and payment shall constitute full compensation for furnishing, setting and connecting the water meter in the meter vault and for furnishing all labor, equipment, material, small tools and incidentals necessary to complete the work as specified or as shown.



3" WATER METER AND VAULT
No Scale