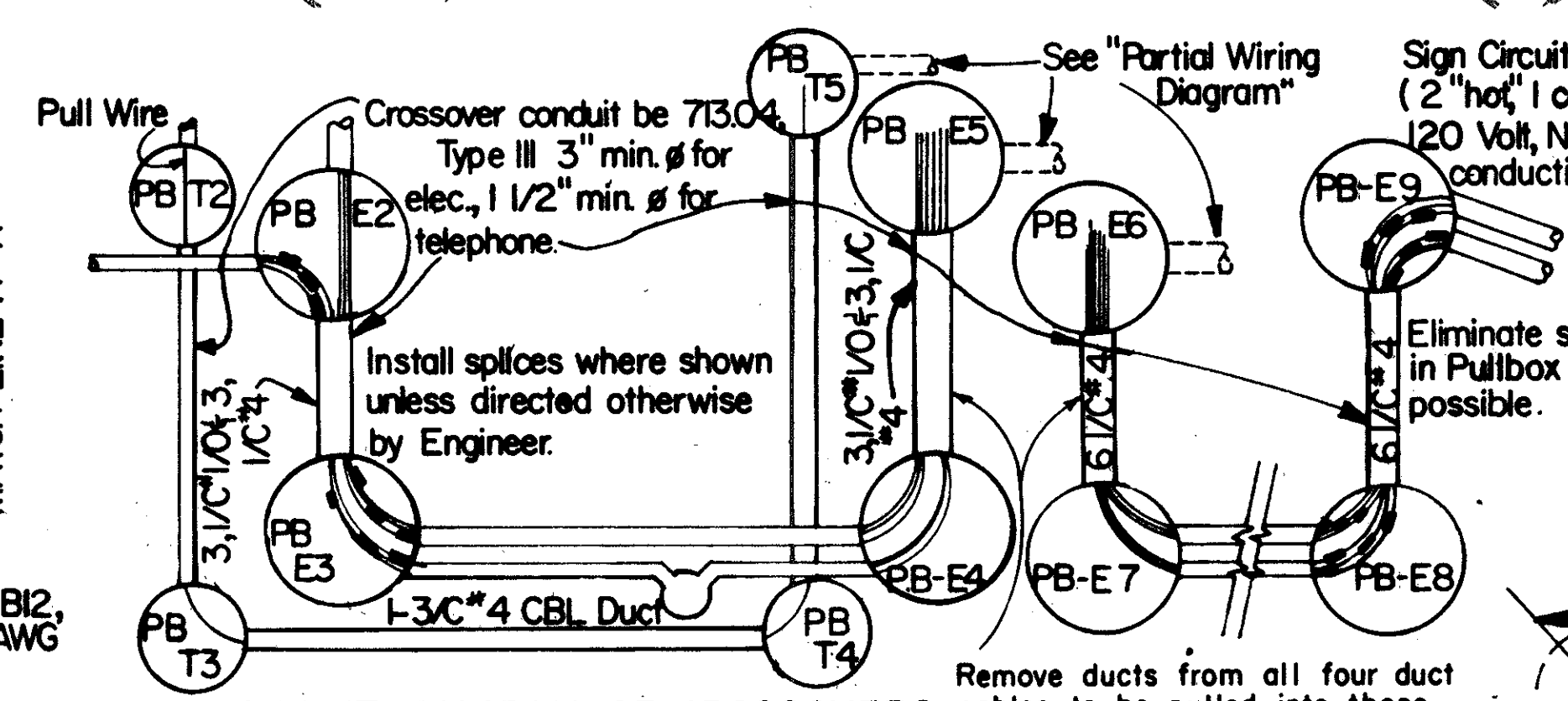
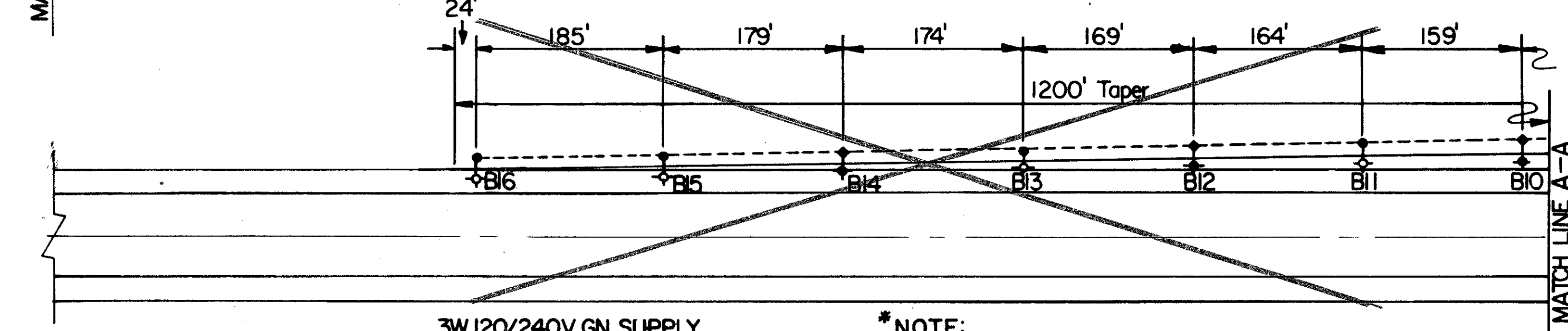
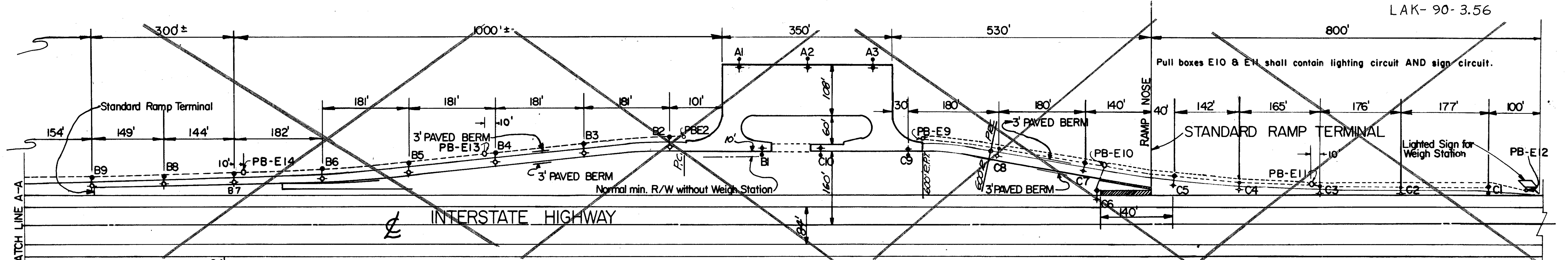


Lighting on this drawing is for CLASS I geometric layout only.

FED. RD. DIVISION	STATE	PROJECT	106B 111
2	OHIO		

LAK-90-3.56



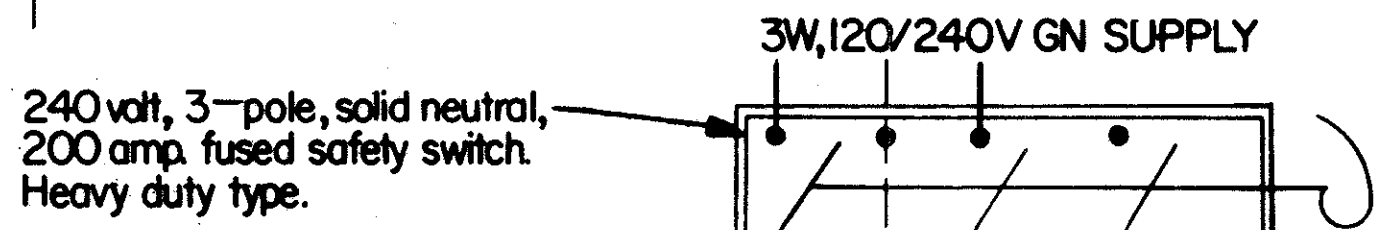
LEGEND

- Crossover Conduit
- 3-1/2 No. 4 Feeder Cable
- 1-3/4 No. 4 Duct Cable
- 1-1/2" Telephone Conduit
- Pull Box
- ◆ Light Pole w/Alum. Transf'r Base
- ◆ Light Pole w/Steel Anchor Base
- ◆ Future Light

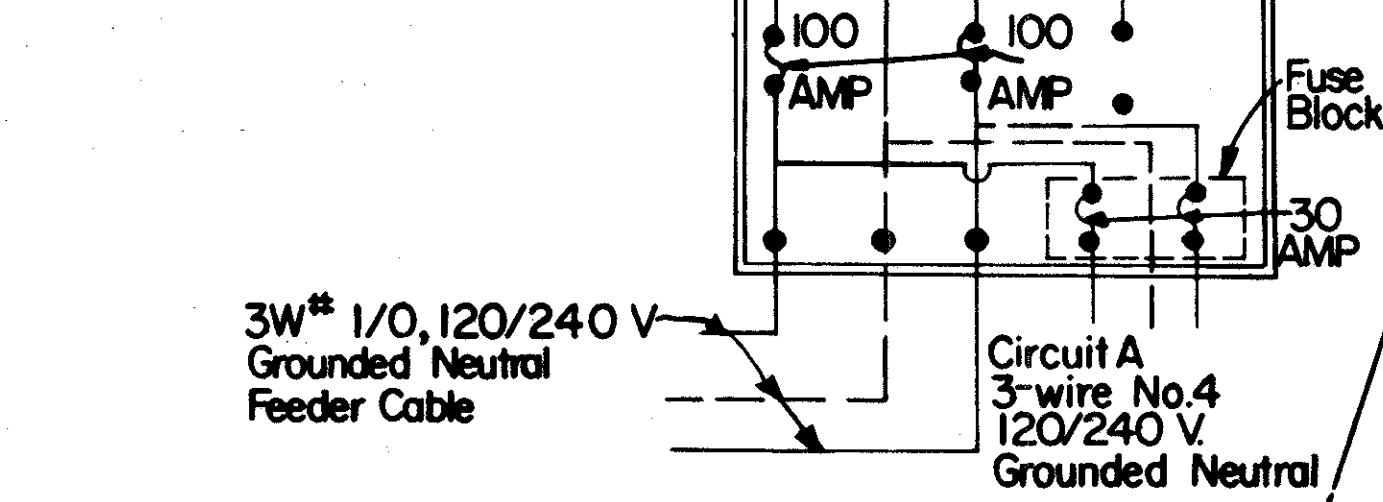
Sign Circuit shall be 3W (2 "hot", 1 common) 120 Volt, No. 4 cu. conductivity

Eliminate splicing of cables in Pullbox E4 and E7 if possible.

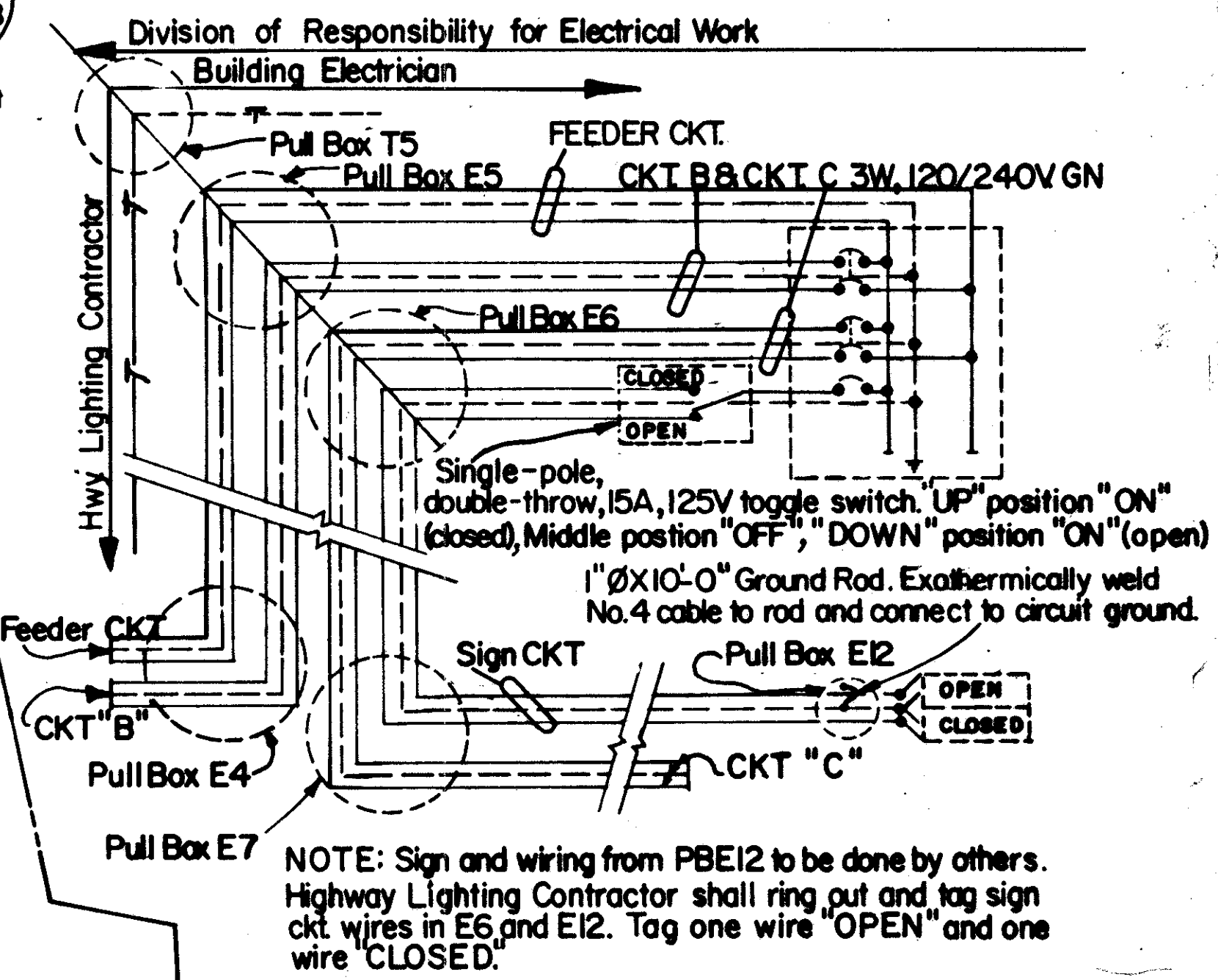
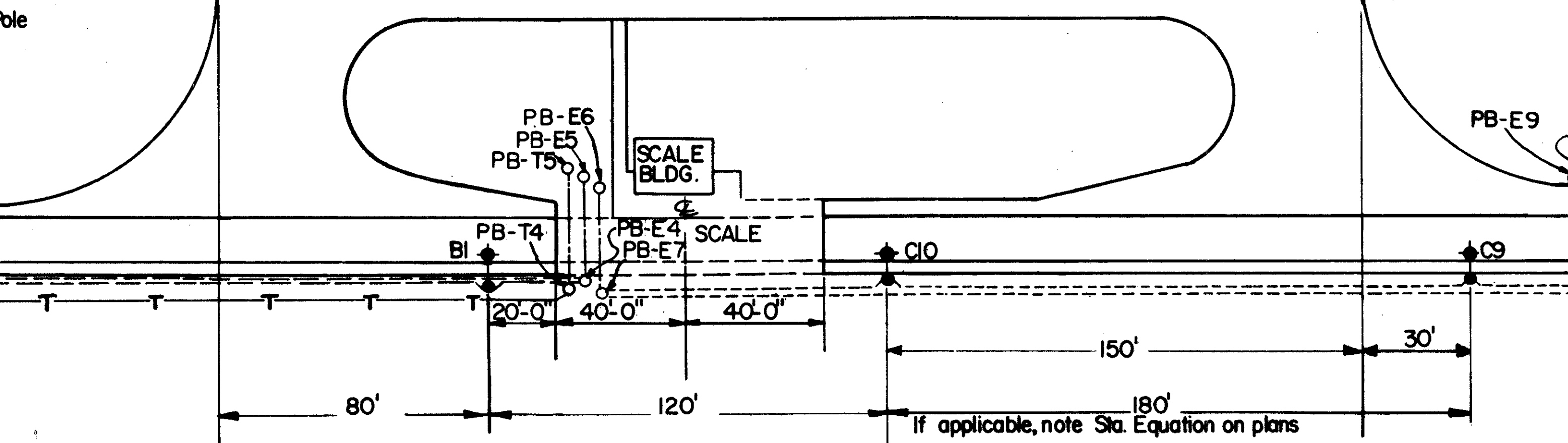
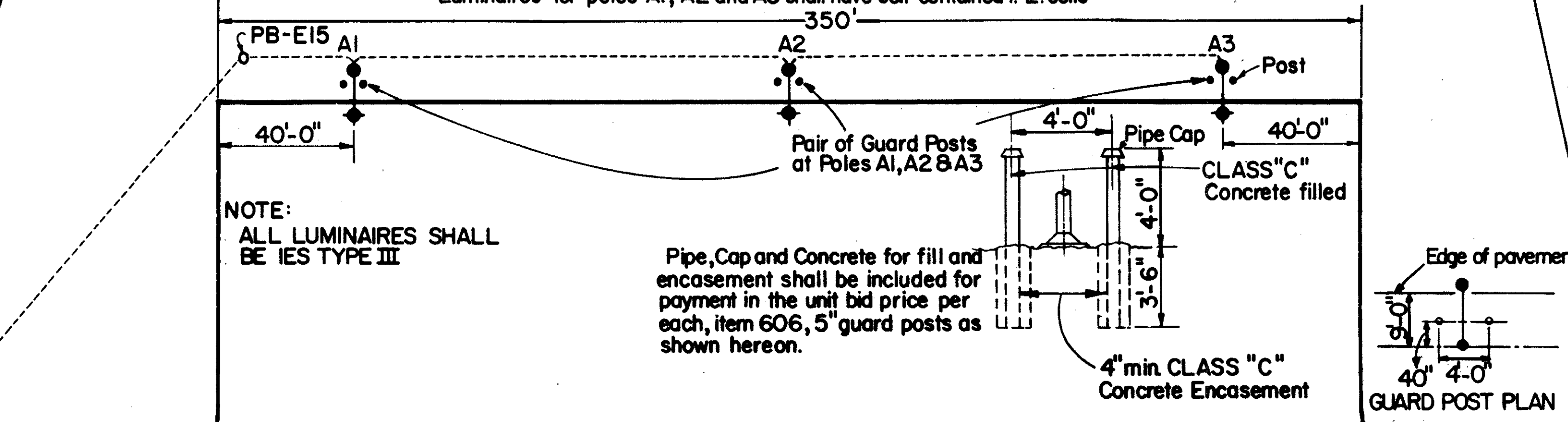
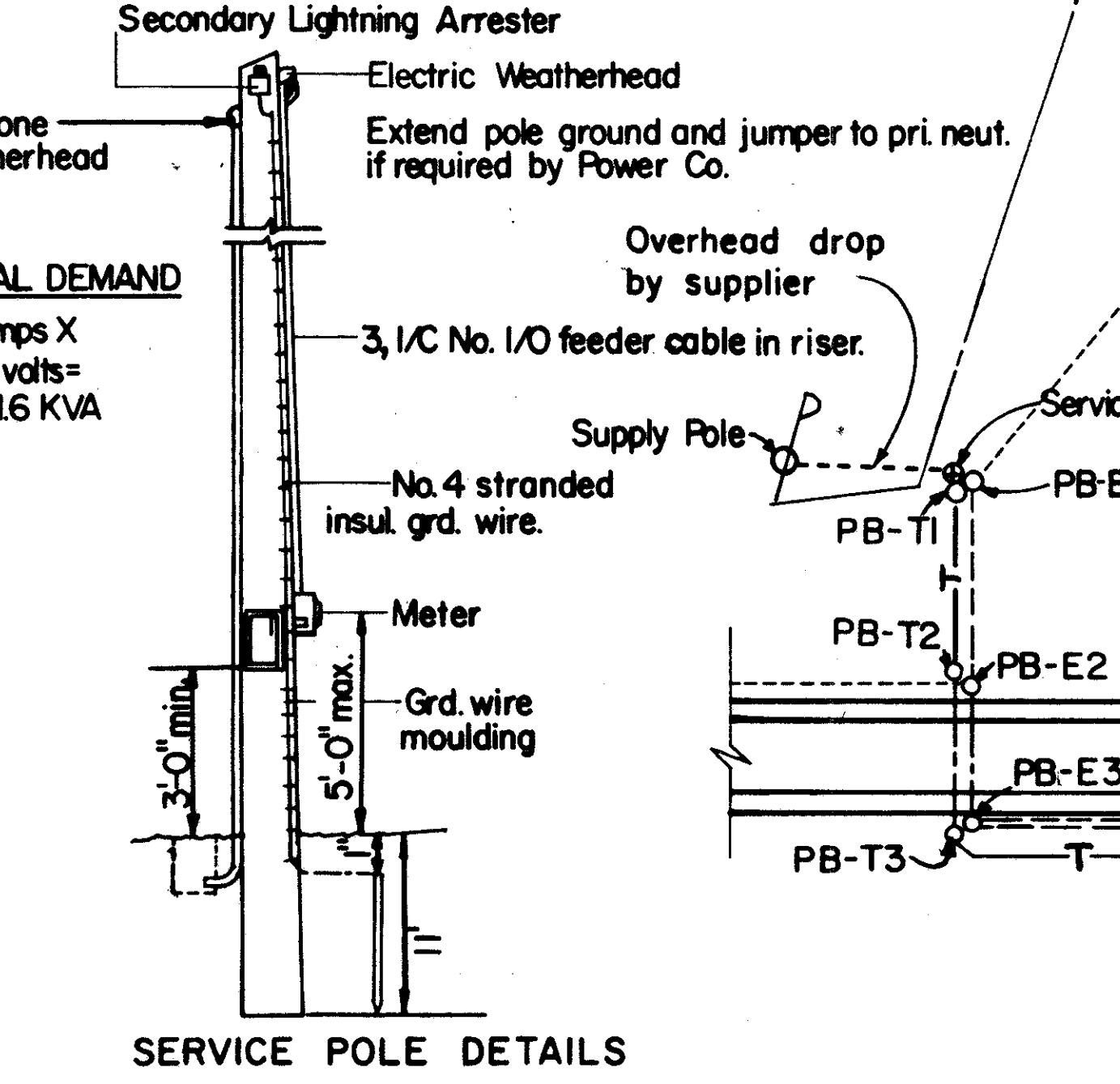
ALL Telephone Pull Boxes shall be 18" ø. Pullboxes E10, E11 and E12 shall be 18" ø. ALL other Pullboxes shall be 24" ø.



*** NOTE:**
The cable sizes shown are based on the following:
① Scale bldg. load of 50 AMPS. ② Installation of lights A1, A2, A3, B1, B10, B12, B14, C1, C5, C6, C7, C9, C10 and Sign. ③ Maximum length of 320' of 1/0 AWG Feeder cable.



*** NOTE:**
Luminaires for poles A1, A2 and A3 shall have self-contained P.E. cells



PARTIAL WIRING DIAGRAM

BUREAU OF DESIGN SERVICES
OHIO DEPARTMENT OF HIGHWAYS

WEIGH STATION with LIGHTING

22-I INTERSTATE HIGHWAY

DATE
12/29/66
5/28/71
6/8/72

ORIGINAL