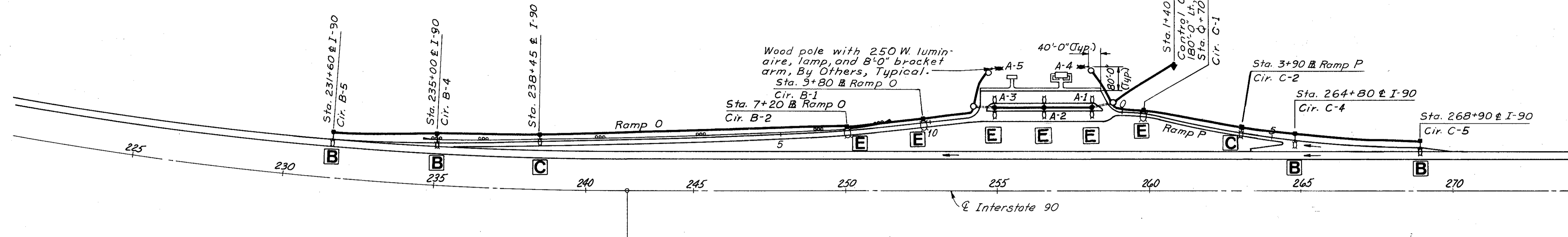


ROADWAY LIGHTING

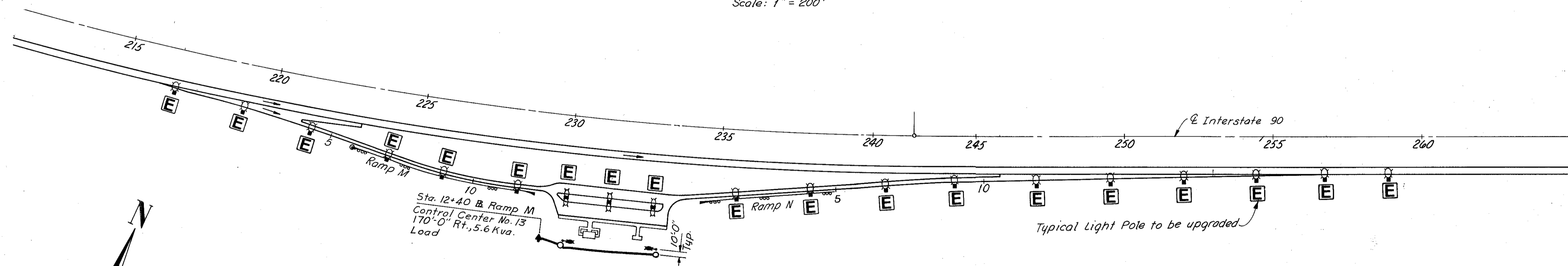
FED. RD. DIVISION	STATE	PROJECT
5	OHIO	I-90-I(88)46

102
PI

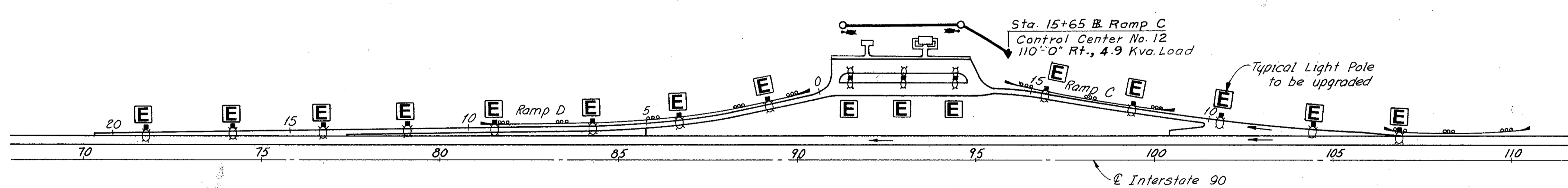
LAKE COUNTY
LAK. 90-3.56



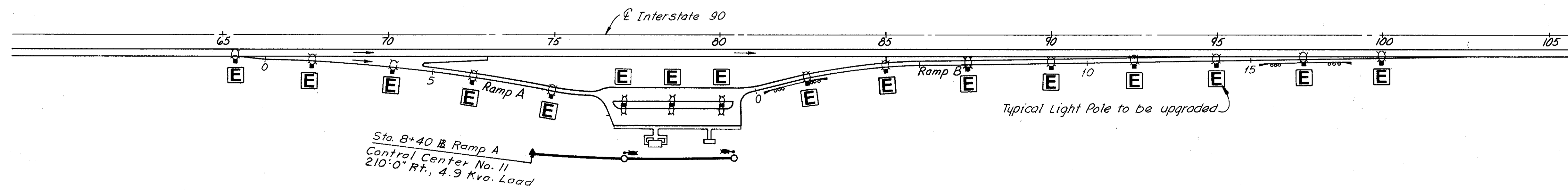
LIGHTING LAYOUT FOR REST AREA NO. 14 - WESTBOUND LANE
Scale: 1" = 200'



EXISTING LIGHTING LAYOUT FOR REST AREA NO. 13 - EASTBOUND LANE
Scale: 1" = 200'



EXISTING LIGHTING LAYOUT FOR REST AREA NO. 12 - WESTBOUND LANE
Scale: 1" = 200'



EXISTING LIGHTING LAYOUT FOR REST AREA NO. 11 - EASTBOUND LANE
Scale: 1" = 200'

LIGHTING KEY

- B** New Ground Mounted Lighting Unit, with aluminum transformer base, 400 Watt size luminaire with ANSI-IES Type III, M-C, light distribution and with 15'-0" bracket arm, 400 watt, clear, mercury vapor lamp
- C** New Ground Mounted Lighting Unit, same as B except ANSI-IES Type II and 10'-0" bracket arm.
- E** Existing Ground Mounted Lighting Unit, to be placed on a new transformer base.
- Duct-Cable, directly buried, with 3-1/2 No. 4 AWG, 600V. conductors.
- Conduit, 3" φ, Type III, jacked or pushed under paved areas, with 3-1/2 No. 4 AWG, 600V distribution conductors.
- Pull Box, 18" φ.
- Ground Mounted Lighting Unit on wood pole, by Others.

Note:
Unit price paid for items of construction in Area No. 14, shall also apply to any items required for safety upgrading and restoring Areas 11, 12 and 13 to complete and satisfactory operation, even though quantities are not estimated.
Additional compensation will not be paid for locating shorts grounds or opens. Work of locating shall be considered as subsidiary to and as a part of the price paid for new items installed.

Note:
Rest Area 13 & 14 is West of SR44.
Rest Area 11 & 12 is West of Ash-tabula County Line.
For Quantities & Notes See Sheet 101.

SCALE 1" = 200' HOWARD, NEEDLES, TAMMEN & BERGENDOFF
MADE I.P.M. DATE 2-14-72 CONSULTING ENGINEERS
TRCD J.M.C. DATE 2-22-72 KANSAS CITY CLEVELAND NEW YORK
CKD L.J.D. DATE 2-26-72