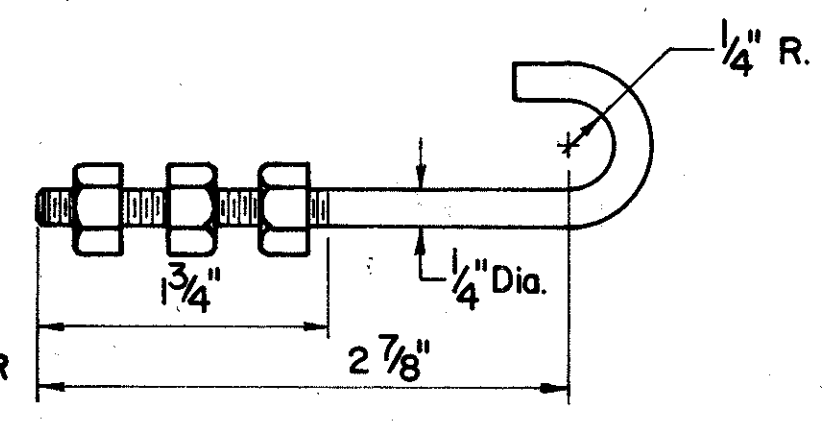


SIGN LENGTH "L"	NO. OF FIXTURES	LIGHT FIXTURE SPACING				SUPPORT ARM SPACING				NO. OF SIGN BRACKETS	
		1	2	3	4	1	2	3	4		
4'-0"	1	2'-0"	2'-0"			6"	36"	6"		2	
5'-0"	1	2'-6"	2'-6"			6"	48"	6"		2	
6'-0"	1	3'-0"	3'-0"			6"	60"	6"		2	
7'-0"	1	3'-6"	3'-6"			6"	72"	6"		2	
8'-0"	1	4'-0"	4'-0"			10 3/8"	75 3/8"	10 1/4"		2	
9'-0"	1	4'-6"	4'-6"			16 3/8"	75 3/8"	16 1/4"		2	
10'-0"	1	5'-0"	5'-0"			10 3/8"	99 3/8"	10 1/4"		2	
11'-0"	1	5'-6"	5'-6"			16 3/8"	99 3/8"	16 1/4"		2	
12'-0"	2	3'-0"	6'-0"	3'-0"		6"	66"	66"	6"	3	
13'-0"	2	3'-6"	6'-0"	3'-6"		6"	72"	72"	6"	3	
14'-0"	2	4'-0"	6'-0"	4'-0"		8 5/8"	75 3/8"	75 3/8"	8 5/8"	3	
15'-0"	2	4'-6"	6'-0"	4'-6"		14 5/8"	75 3/8"	75 3/8"	14 5/8"	3	
16'-0"	2	4'-0"	8'-0"	4'-0"		8 5/8"	75 3/8"	99 3/8"	8 5/8"	3	
17'-0"	2	4'-6"	8'-0"	4'-6"		14 5/8"	75 3/8"	99 3/8"	14 5/8"	3	
18'-0"	2	4'-0"	10'-0"	4'-0"		8 5/8"	99 3/8"	99 3/8"	8 5/8"	3	
19'-0"	2	4'-6"	10'-0"	4'-6"		14 5/8"	99 3/8"	99 3/8"	14 5/8"	3	
20'-0"	3	4'-0"	6'-0"	6'-0"	4'-0"	7"	75 3/8"	75 3/8"	75 3/8"	6 7/8"	4
21'-0"	3	4'-6"	6'-0"	6'-0"	4'-6"	13"	75 3/8"	75 3/8"	75 3/8"	12 7/8"	4
22'-0"	3	4'-0"	7'-0"	7'-0"	4'-0"	7"	75 3/8"	75 3/8"	99 3/8"	6 7/8"	4
23'-0"	3	4'-6"	7'-0"	7'-0"	4'-6"	13"	75 3/8"	75 3/8"	99 3/8"	12 7/8"	4
24'-0"	3	4'-0"	8'-0"	8'-0"	4'-0"	7"	75 3/8"	99 3/8"	99 3/8"	6 7/8"	4
25'-0"	3	4'-6"	8'-0"	8'-0"	4'-6"	13"	75 3/8"	99 3/8"	99 3/8"	12 7/8"	4
26'-0"	4	4'-0"	6'-0"	6'-0"	6'-0"	7"	99 3/8"	99 3/8"	99 3/8"	6 7/8"	4
27'-0"	4	4'-6"	6'-0"	6'-0"	4'-6"	13"	99 3/8"	99 3/8"	99 3/8"	12 7/8"	4

EFFECTIVE SIGN HEIGHT "H"	SUPPORT ARM LENGTH "G"	APPROX. AIMING ANGLE	LAMP WATTS	ANSI LAMP CODE	BALLAST TYPE
3'-0" to 5'-0"	2'-9"	0°	100	H38-4HT	CMRI-100-(a)
5'-1" to 6'-6"	3'-3"	0°	175	H39-22KB	CMRI-175-(a)
6'-7" to 10'-0"	4'-3"	2°	175	H39-22KB	CMRI-175-(a)
10'-1" to 13'-0"	5'-9"	8°	250	H37-5KB	CMRI-250-(a)
13'-1" to 15'-0"	7'-3"	8°	250	H37-5KB	CMRI-250-(a)

(a) = OPERATING VOLTAGE
(120V, 208V, 240V, 277V, OR
480V.)



"J" BOLT
(STAINLESS STEEL
BOLT, NUTS &
LOCKWASHERS)

BUREAU OF DESIGN SERVICES
OHIO DEPARTMENT OF HIGHWAYS

MERCURY VAPOR SIGN
LIGHTING DETAILS

STANDARD
CONSTRUCTION
DRAWING

APPROVED _____
ENGINEER OF DESIGN SERVICES

DATE
4-13-72