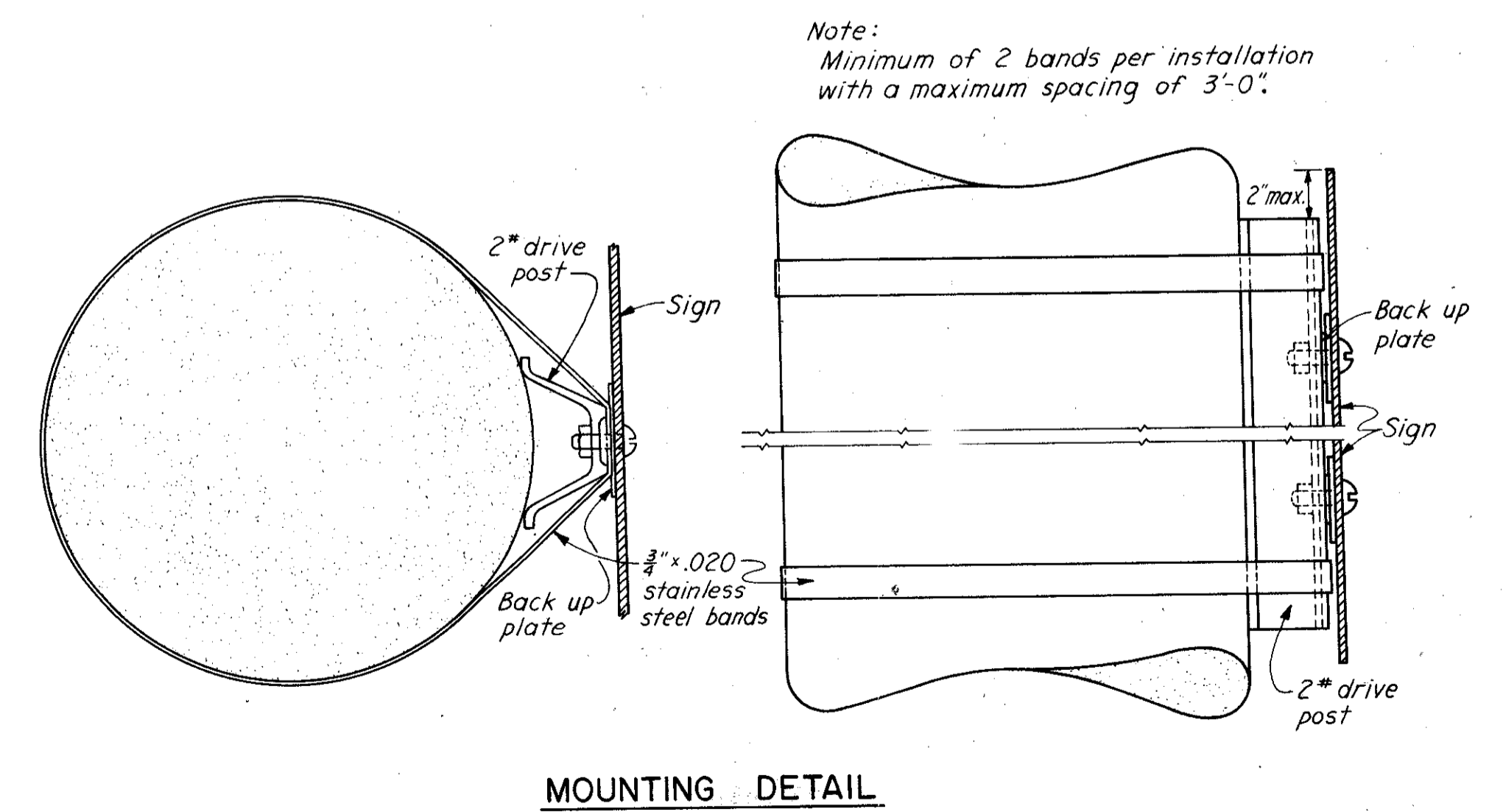
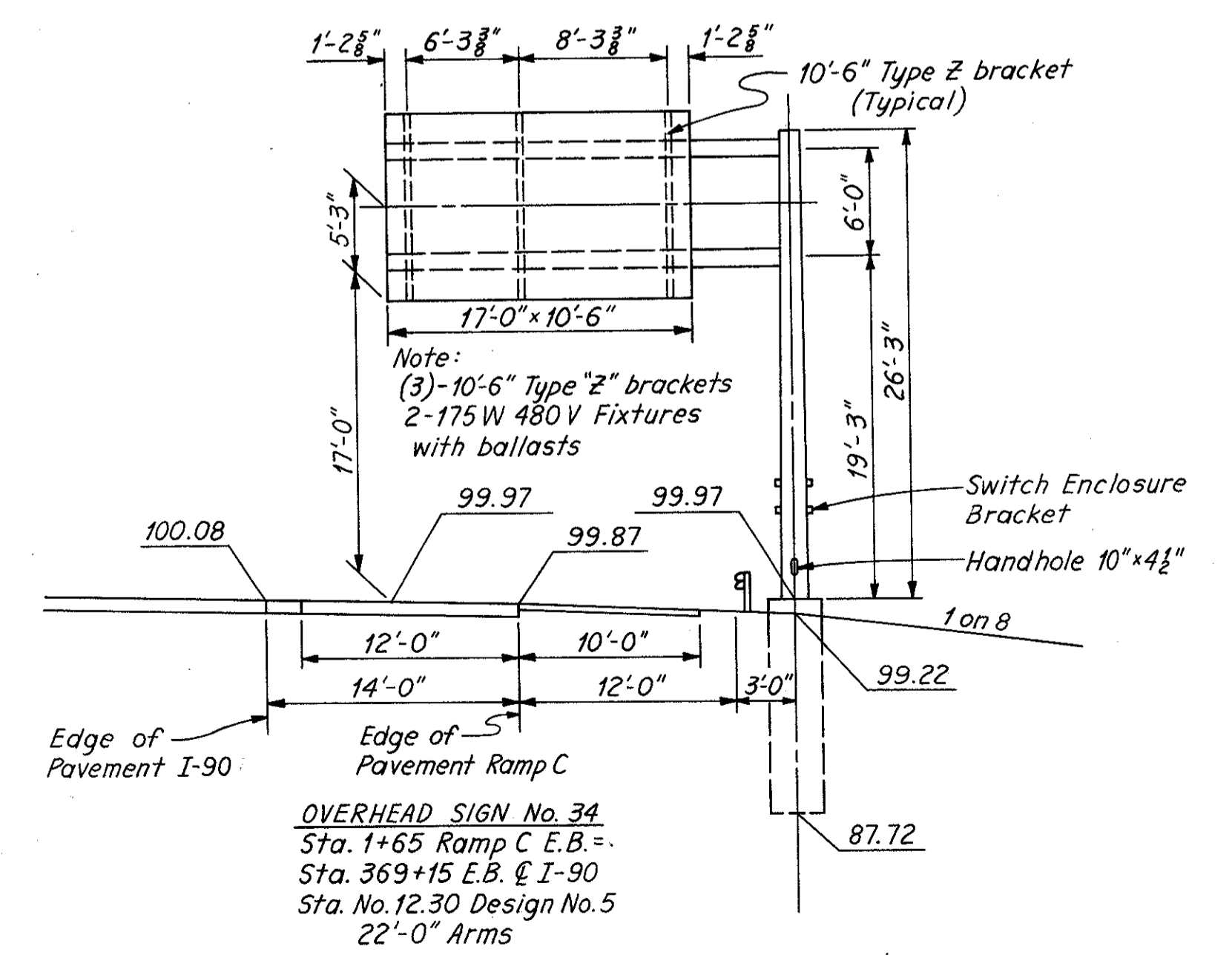
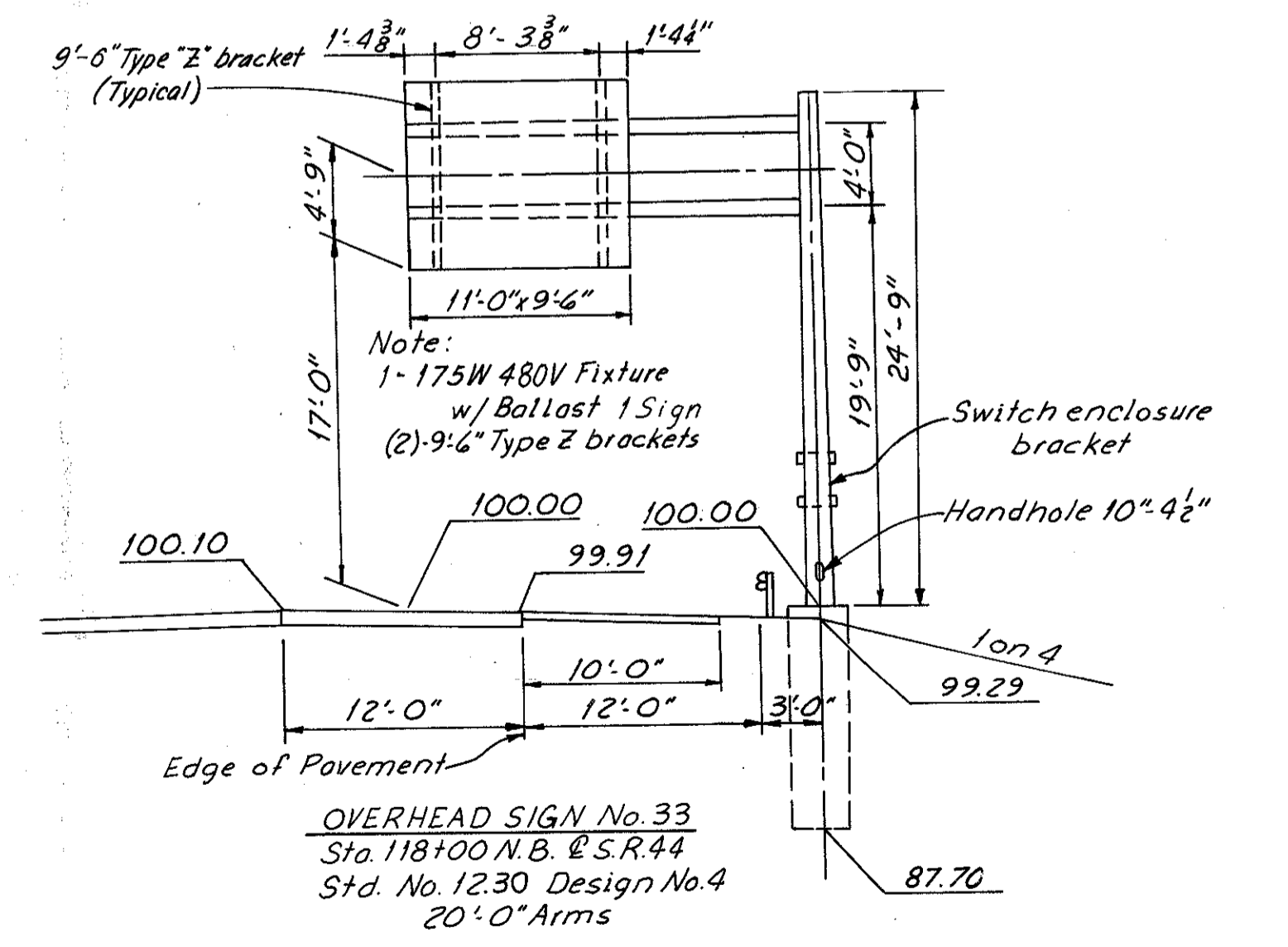
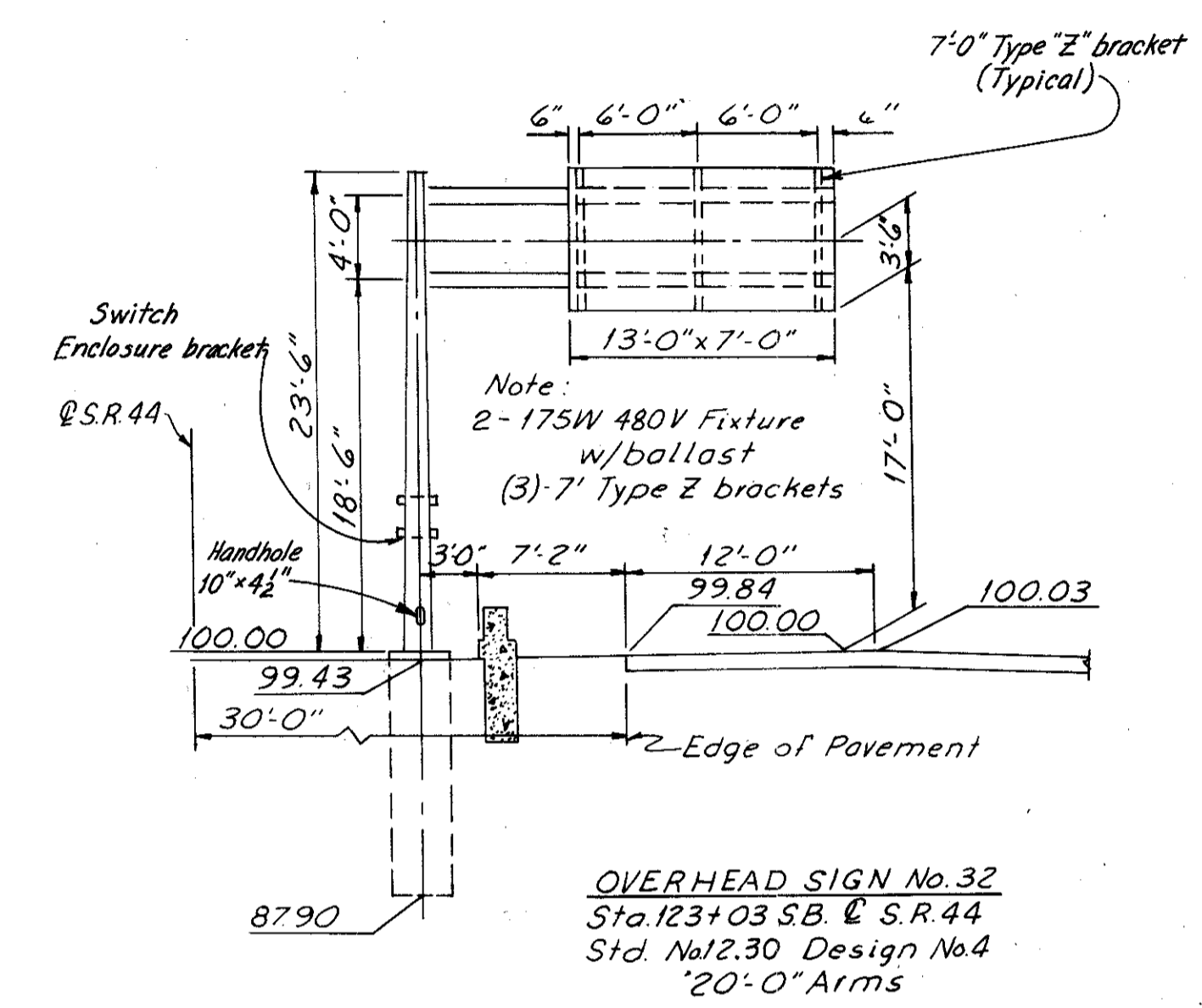
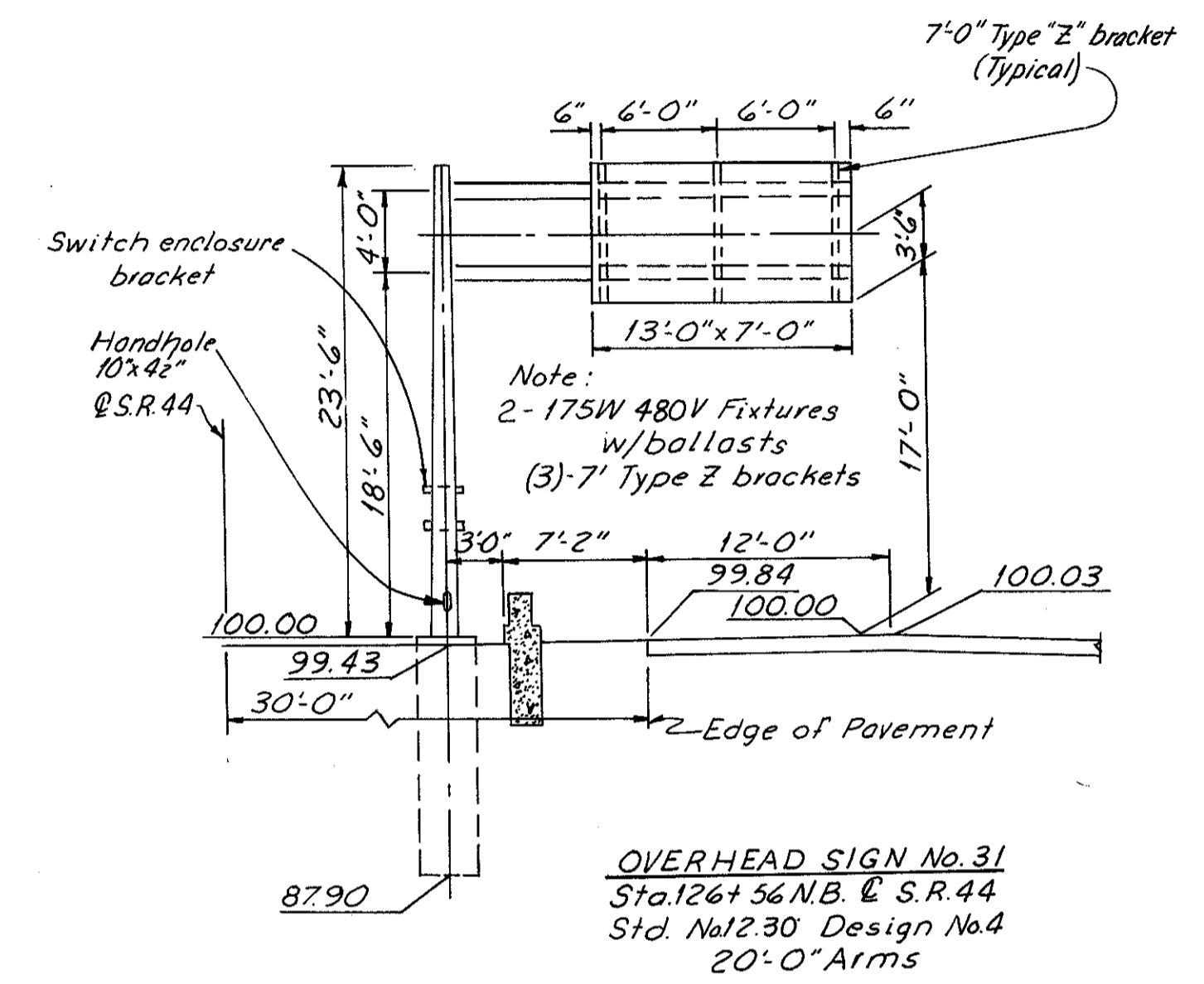
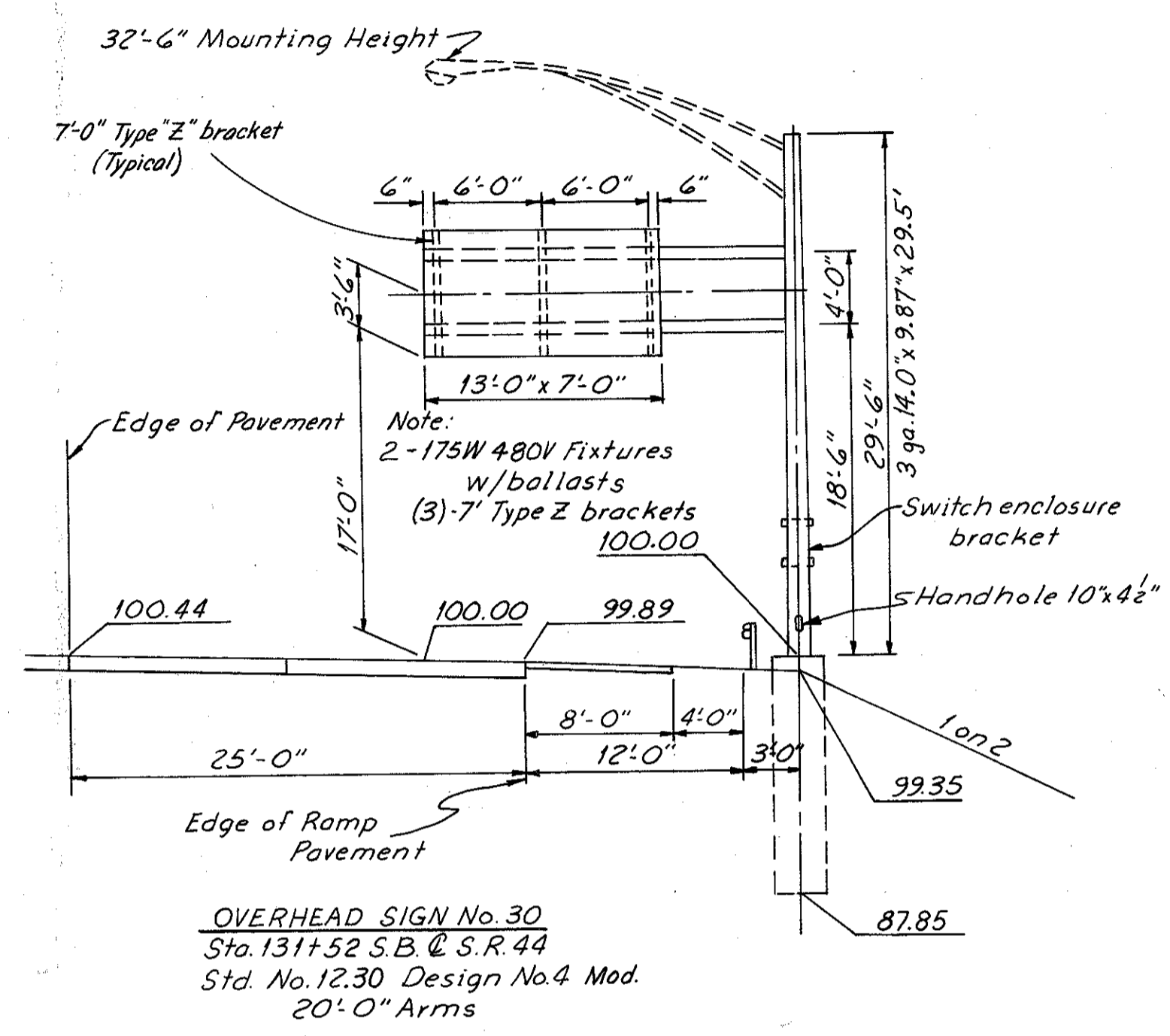


SIGN SUPPORT DETAILS

FED. RD. DIVISION	STATE	PROJECT
5	OHIO	

89B
111

LAKE COUNTY
LAK-90-3.56



SCALE 1/8" = 1'-0"
HOWARD, NEEDLES, TAMMEN & BERGENOFF
MADE ERH DATE 11-14-72 CONSULTING ENGINEERS
TRCD. JMC DATE 11-16-72
CKD. LJD DATE 11-17-72 KANSAS CITY CLEVELAND NEW YORK