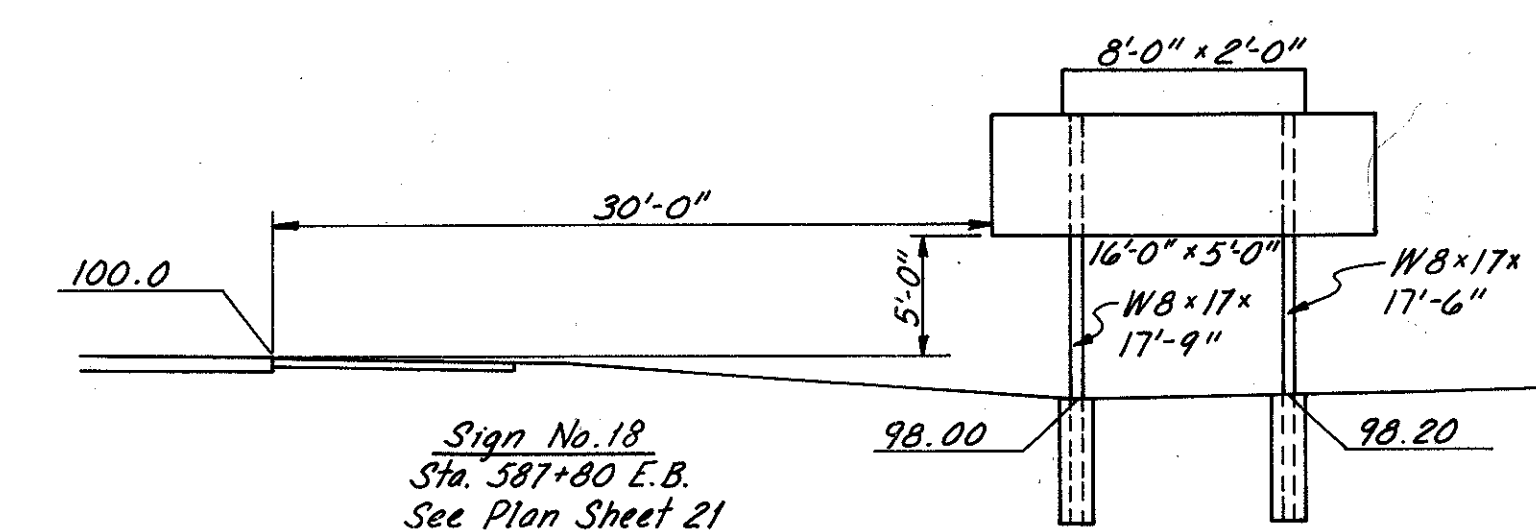
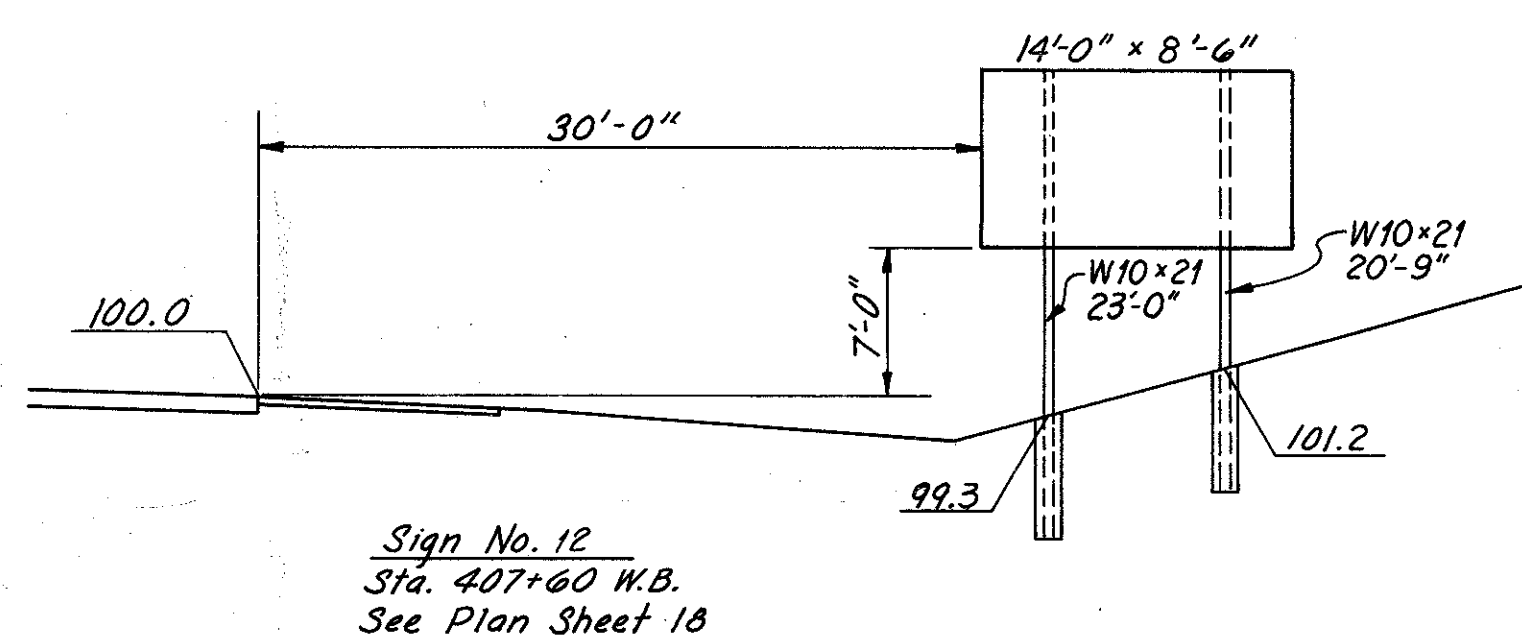
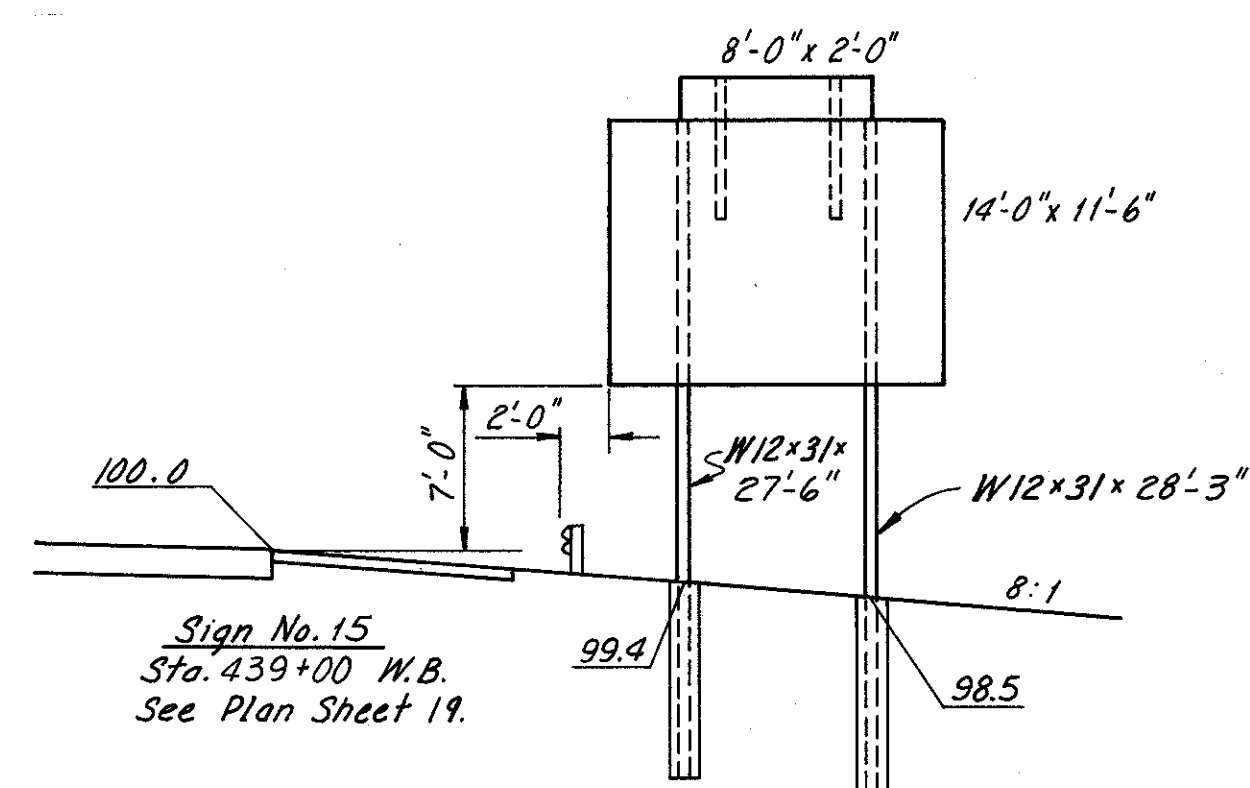
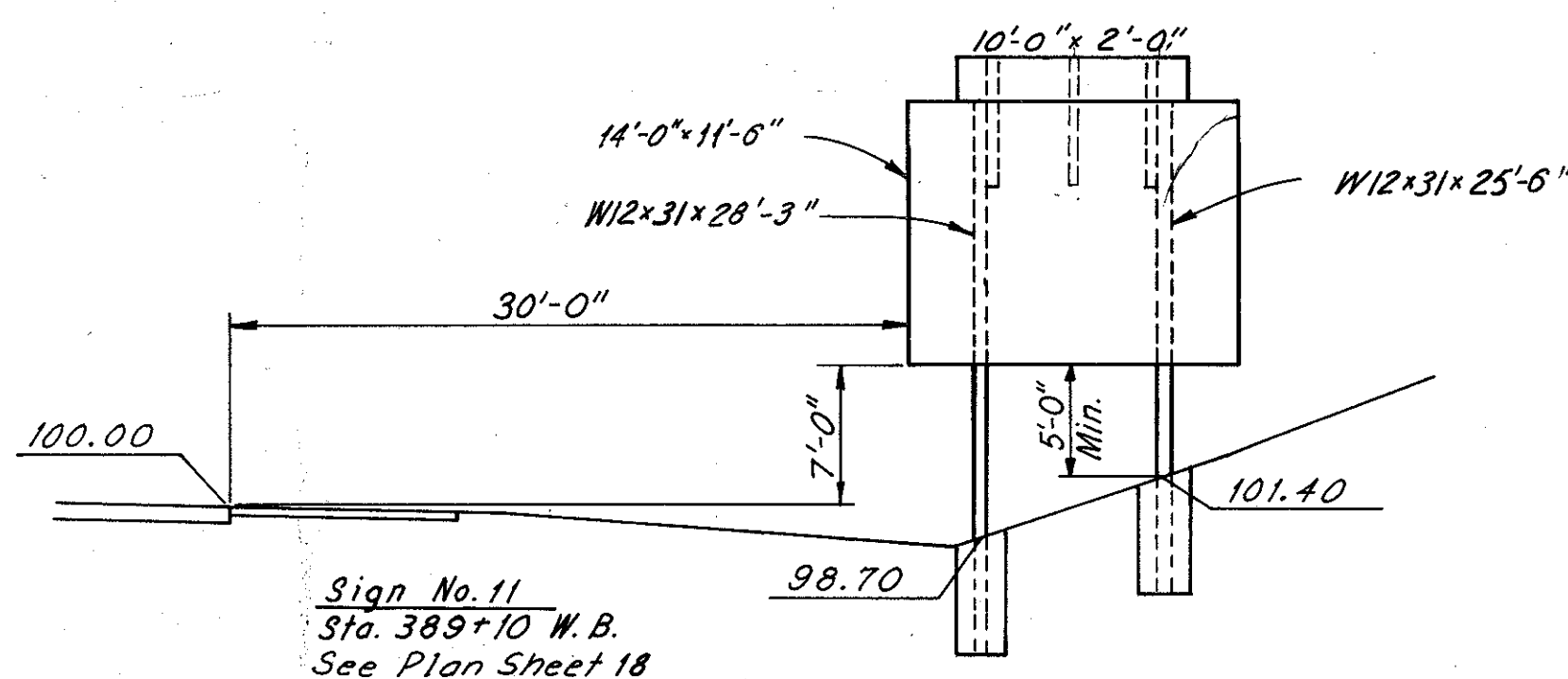
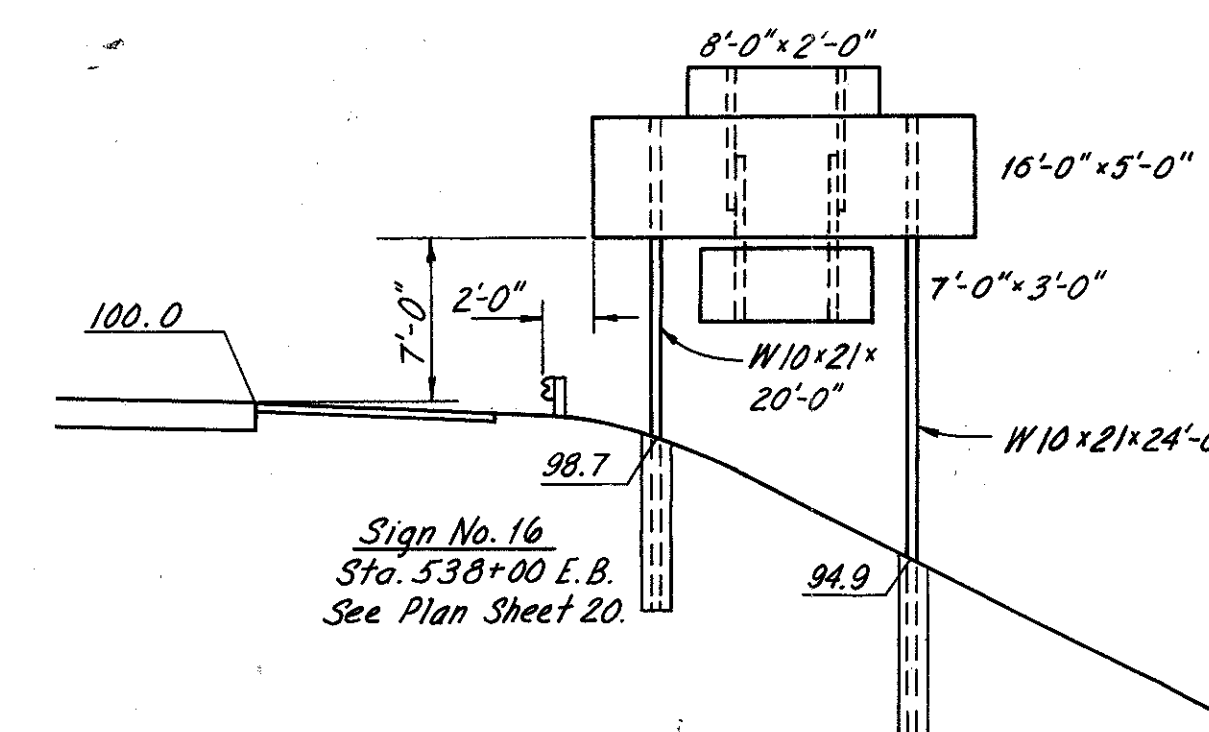
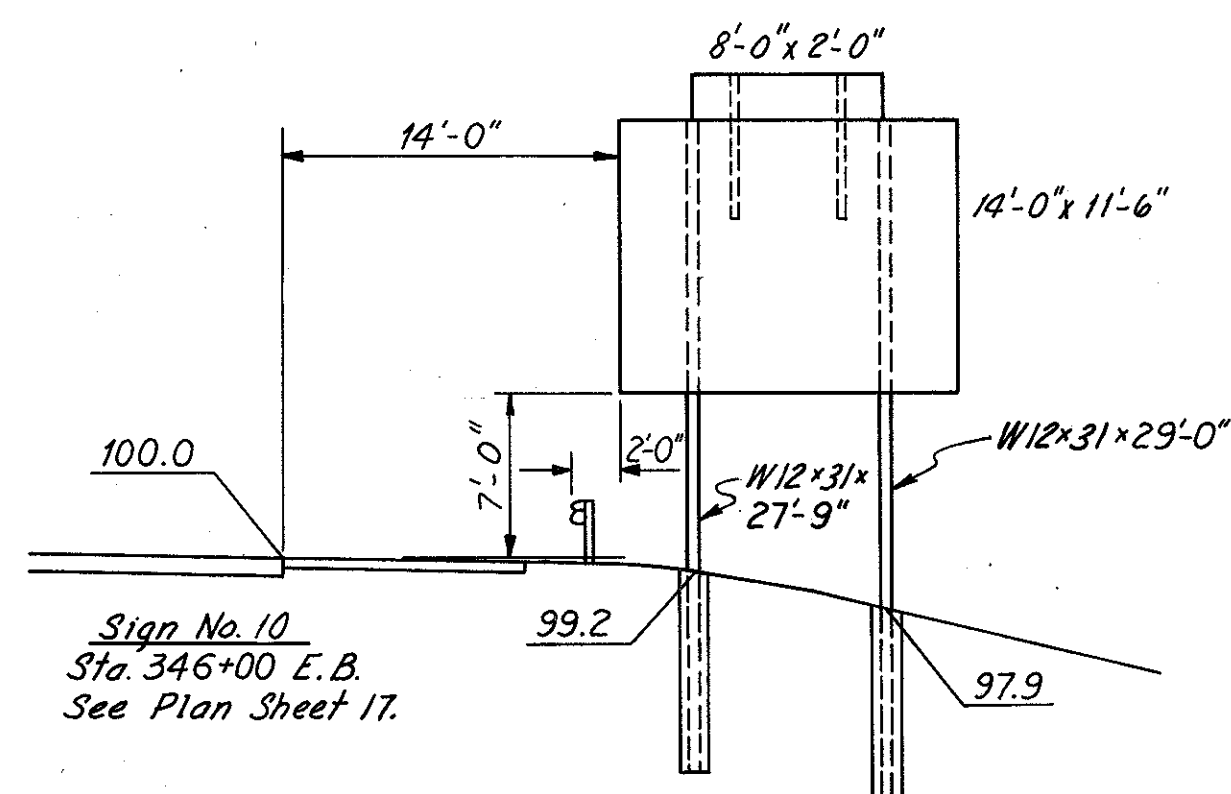


SIGN SUPPORT DETAILS

FED. RD. DIVISION	STATE	PROJECT
5	OHIO	

89
111

LAKE COUNTY
LAK. 90-3.56



SCALE 1/8" = 1'-0"
HOWARD, NEEDLES, TAMMEN & BERGENDOFF
MADE IN U.S.A. DATE 1/26/72 CONSULTING ENGINEERS
TRCO DATE 2/26/72
CKD DATE 2/27/72 KANSAS CITY CLEVELAND NEW YORK