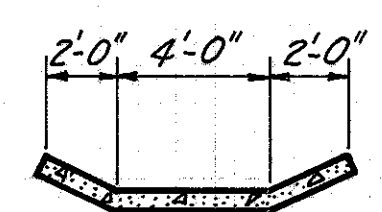


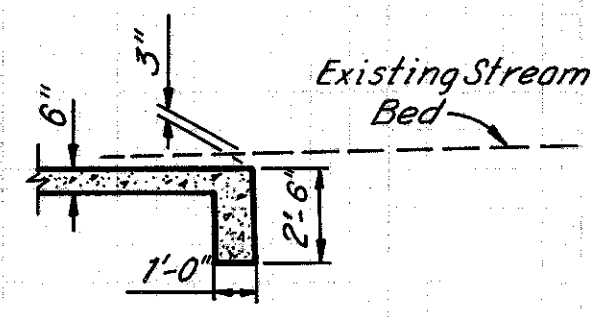
QUANTITIES
 Made: LJD 3-7-72
 Ckd: REM 4-10-72

FED. RD. DIVISION	STATE	PROJECT
5	OHIO	

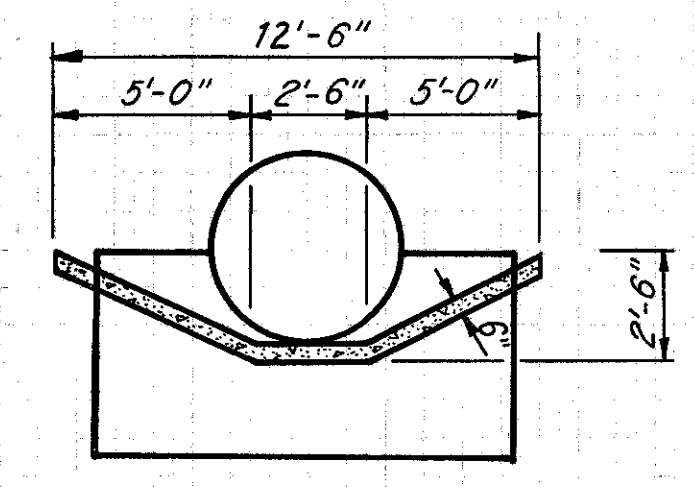
LAKE COUNTY
 LAK-90-3.56



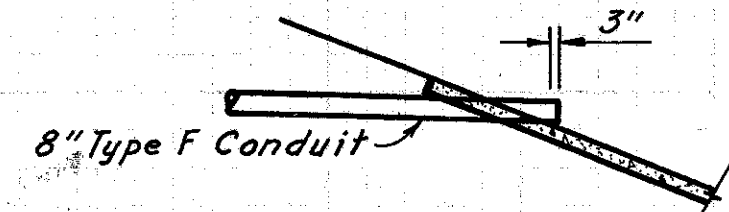
PAVED GUTTER DETAIL
 (All other details and notes shall be in accordance with Std. Cons. Drwg. MC-5.)



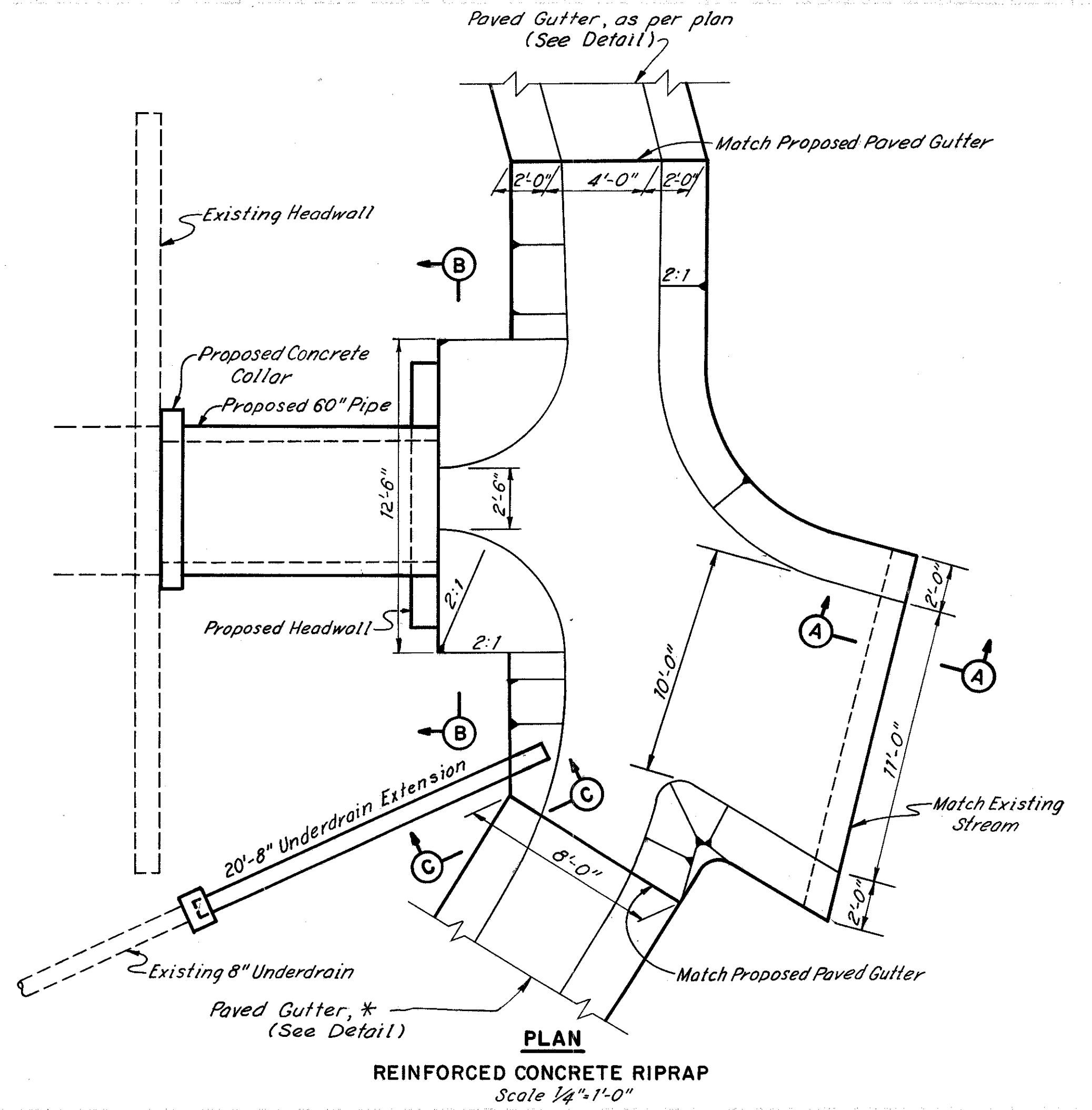
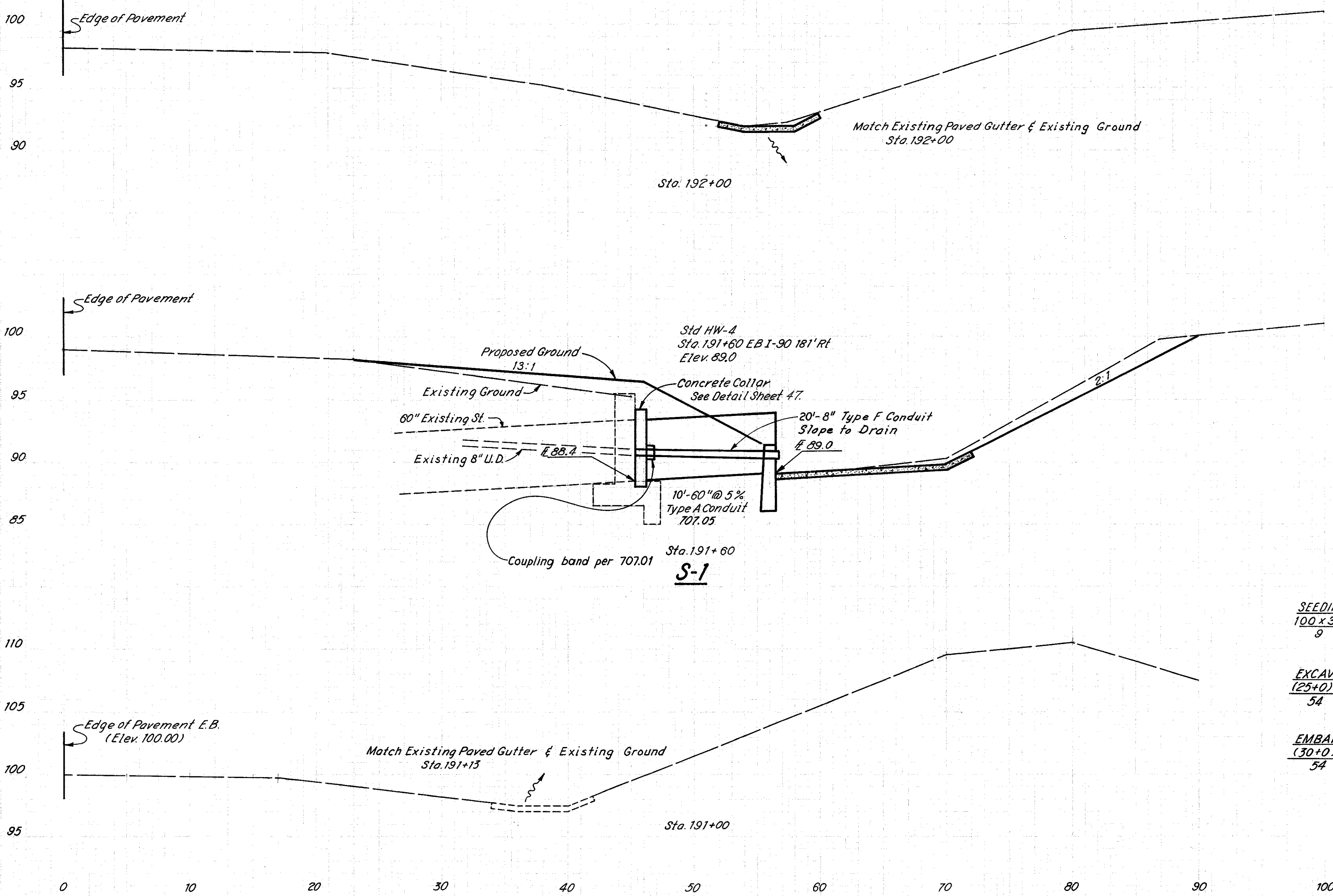
SECTION A-A



SECTION B-B



SECTION C-C



SEEDING AND MULCHING
 $\frac{100 \times 35}{9} = 389 \text{ Sq. Yds.}$

EXCAVATION
 $\frac{(25+0)100}{54} = 46 \text{ Cu. Yds.}$

EMBANKMENT
 $\frac{(30+0)100}{54} + \frac{40 \times 30}{27} = 99 \text{ Cu. Yds.}$

* Standard Type I-4, modified, as per plan

ESTIMATED QUANTITIES S-1			
ITEM	DESCRIPTION	QUANTITY	UNIT
202	Gutter Removed	100	Lin. Ft.
203	Excavation	46	Cu. Yds.
203	Embankment	99	Cu. Yds.
601	6" Reinf. Conc. Riprap	45	Sq. Yds.
601	Paved Gutter *	64	Lin. Ft.
602	Concrete Masonry	1.79	Cu. Yds.
603	60" Conduit Type A 707.05	10	Lin. Ft.
603	8" Conduit Type F	20	Lin. Ft.
659	Seeding & Mulching	389	Sq. Yds.

(For Plan View See Sheet No. 8)

2-29-72
 LJD
 3-5-72
 LJD
 3-7-72
 REM
 4-10-72

HC
 LJD
 LJD
 REM