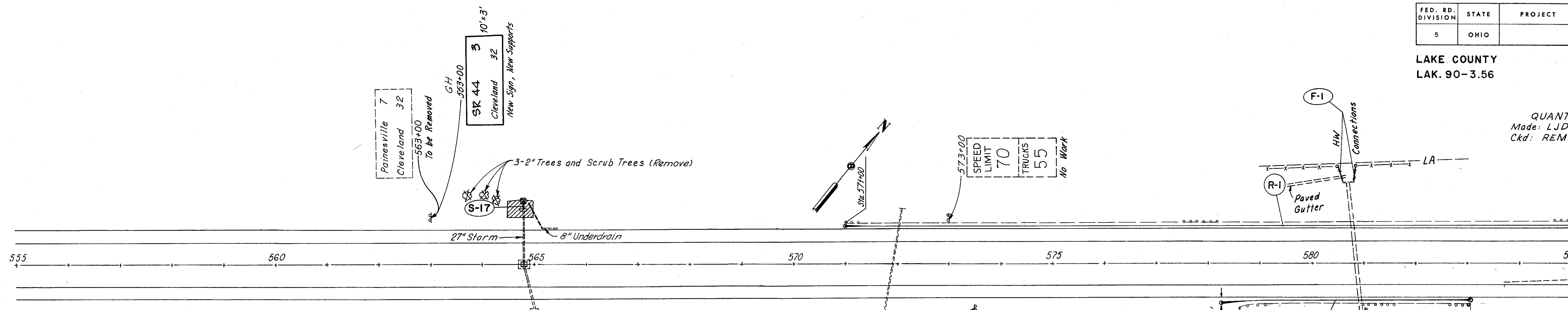


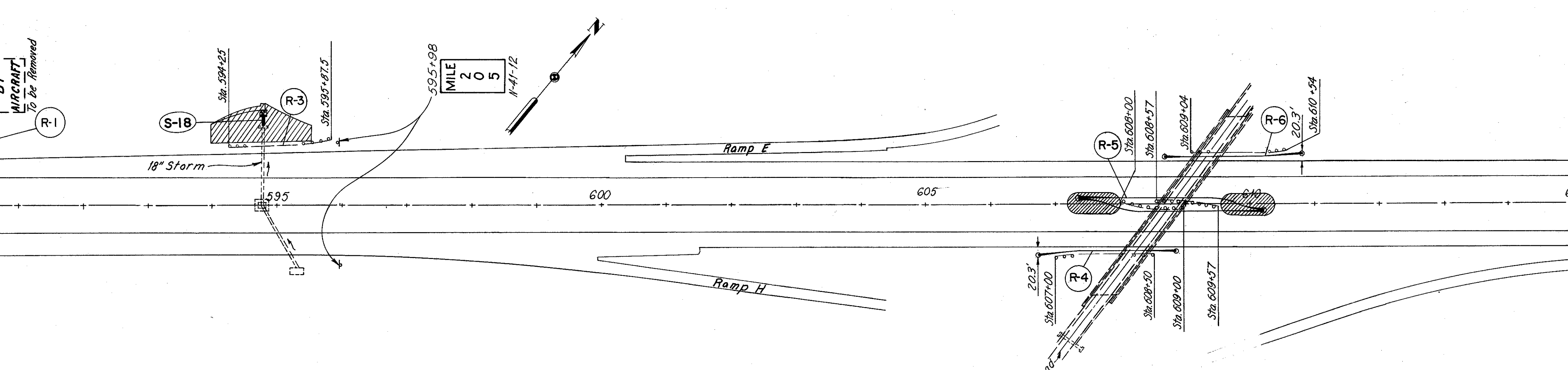
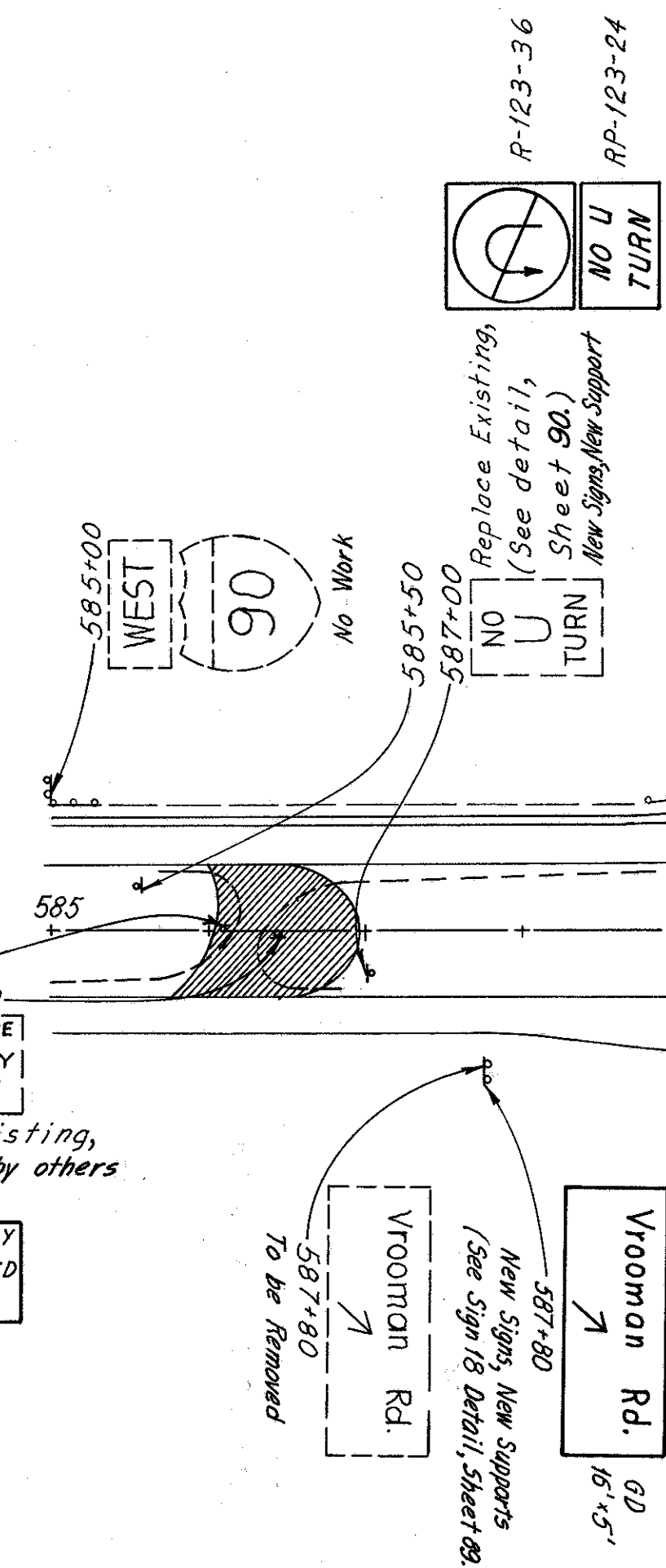
LAKE COUNTY  
LAK. 90-3.56

QUANTITIES  
Made: LJD 2-18-72  
Ckd: REM 2-22-72



Ref. No.	Station	Side	GUARD RAIL					
			202 GR	202 GR	202 BR	606 GR	606 Anchor	606 Anchor
			Removed for Reuse or Storage Painted	Removed for Reuse or Storage Galv.	Removed for Reuse or Storage Painted	Type 5 as per plan	Assembly	Assembly Barrier Design
R-1	571+00	Lt.	1825			1825	2	
R-2	578+25	Rt.	450			425	2	
R-3	594+25	Lt.	125	37.5				
R-4	606+73	Rt.		150		162.5	2	
R-5	607+34	Lt.	150		50	475		2
R-6	608+68.5	Lt.	150			162.5	2	
Totals			2700	187.5	50	3050	8	2

Ref. No.	Station	Side	FENCE		
			607	Fence Type 47	
			From	To	Lin. Ft.
F-1	580+50	WB	Lt.		75



Note:  
For Guard Rail placement, See Sheet 47.  
For Signing Quantities, See Sheets 37, 43, & 90.

For Culvert Details  
See Sheets 57, 58.