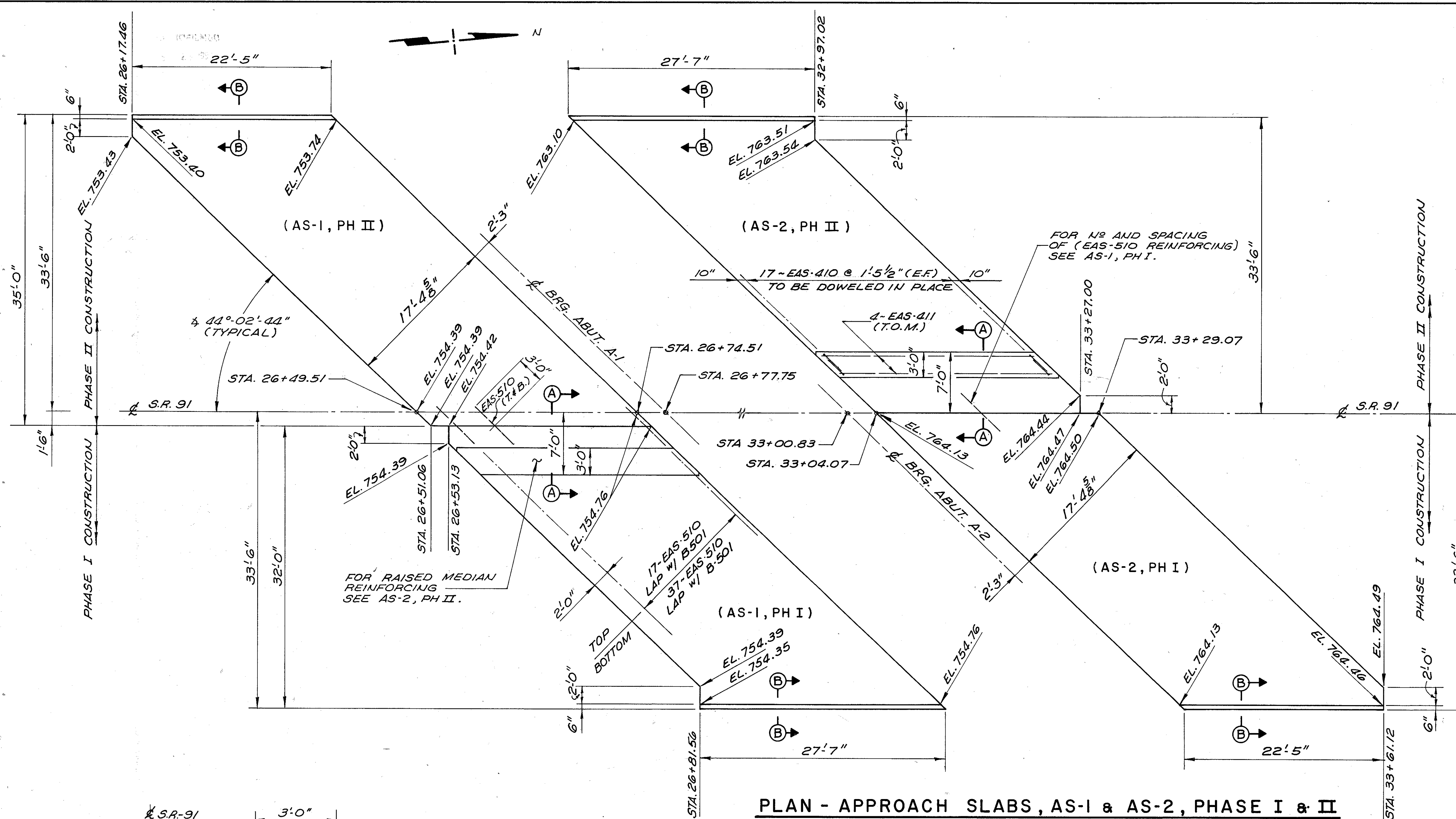
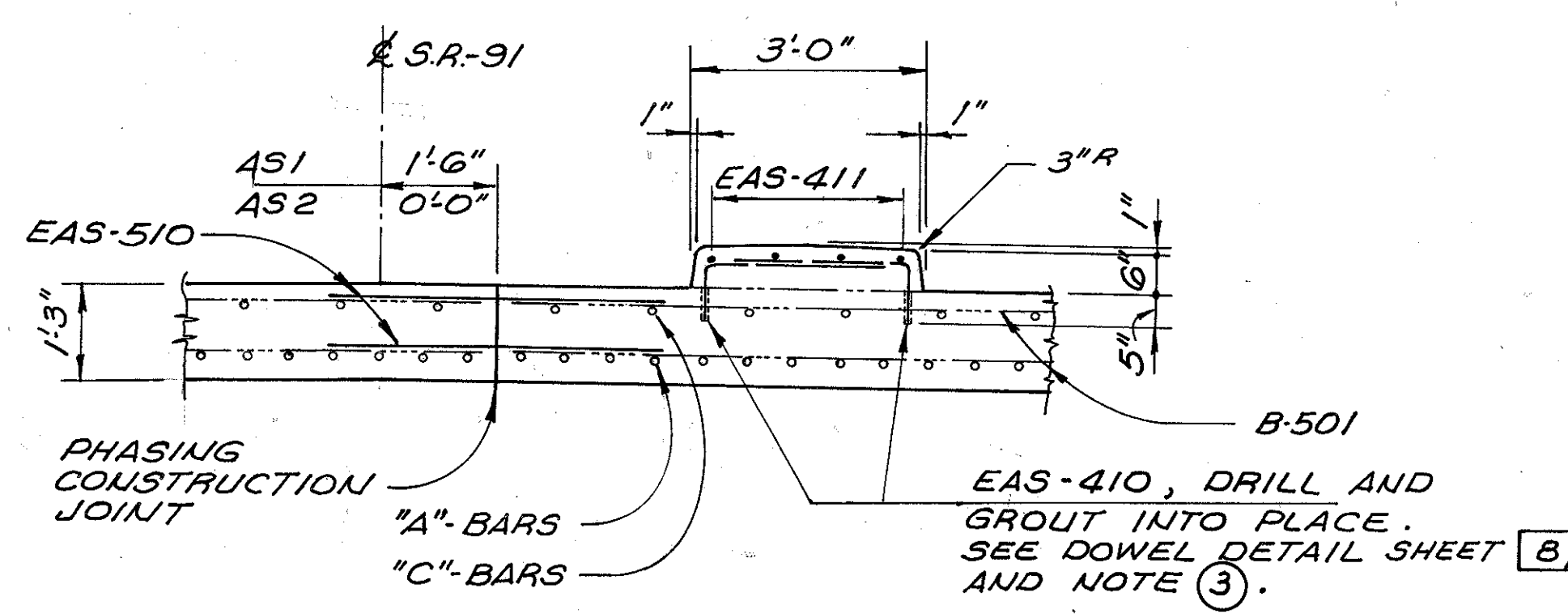


NOTES:

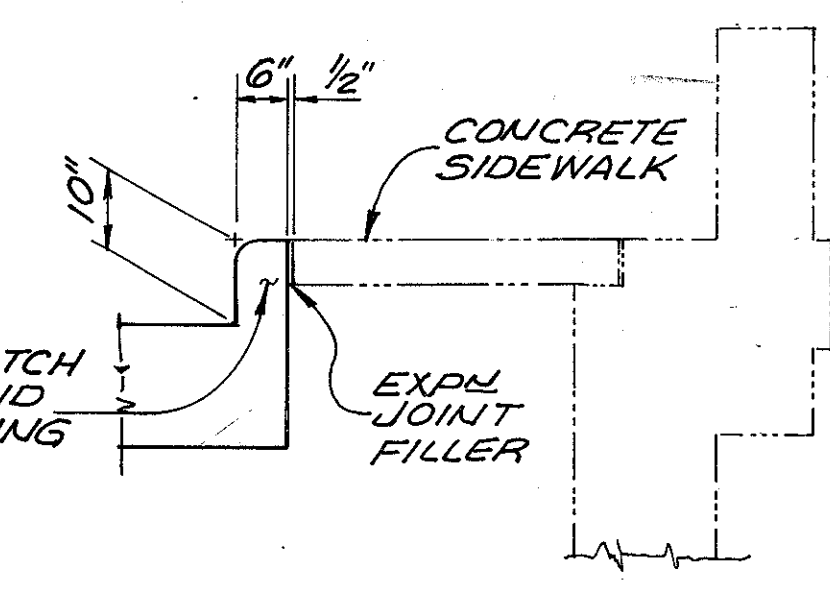
- FOR ADDITIONAL NOTES, DETAILS, SECTIONS AND REINFORCING BARS NOT SHOWN HERE SEE STATE OF OHIO STANDARD DRAWING ~ REINFORCED CONCRETE APPROACH SLABS, AS-1-B1, SHEETS 1, 2 & 3.
 - THE ELEVATIONS SHOWN ARE FINISHED PAVEMENT ELEVATIONS.
 - THE RAISED MEDIAN & CURB CONCRETE, ADDITIONAL REINFORCING AND THE DRILLING AND GROUTING OF THE RAISED MEDIAN REINFORCING SHALL BE INCLUDED WITH ITEM 611, REINFORCED CONCRETE APPROACH SLAB (T=15"), AS PER PLAN.
- SQ. YDS. OF APPROACH SLABS:
- AS1, PHASE I = 89 S.Y.
 - AS2, PHASE I = 93 S.Y.
 - AS1, PHASE II = 97 S.Y.
 - AS2, PHASE II = 93 S.Y.
 - TOTAL AS1 & AS2 = 372 S.Y.



PLAN - APPROACH SLABS, AS-1 & AS-2, PHASE I & II



SECTION A-A
(AS-1 SHOWN, AS-2 AS NOTED)



SECTION B-B

REINFORCING SCHEDULE **					
MARK NR	Nº REQD	LENGTH	TYPE	"X"	"Y"
EAS-410	68	3'-7"	I	8"	3'-0"
EAS-411	8	24'-4"	ST		
EAS-510	108	6'-0"	ST		

** REINFORCING SHOWN HERE ARE THE ADDITIONAL BARS REQUIRED FOR PHASE CONSTRUCTION AND THE RAISED MEDIAN, SEE NOTES ① & ③.

(TYPE I)
BENDING DIAGRAM

URS		16/16	
APPROACH SLAB DETAIL			
BRIDGE N° LAK-90-0328			
S.R. 91 OVER I-90			
LAKE COUNTY		WILLOUGHBY HILLS	
STA 26+74.51 TO STA 33+04.07			
DESIGNED	DRAWN	CHECKED	REVIEWED
9/2	A.L.H.	9/2	9/2
			10-17-90