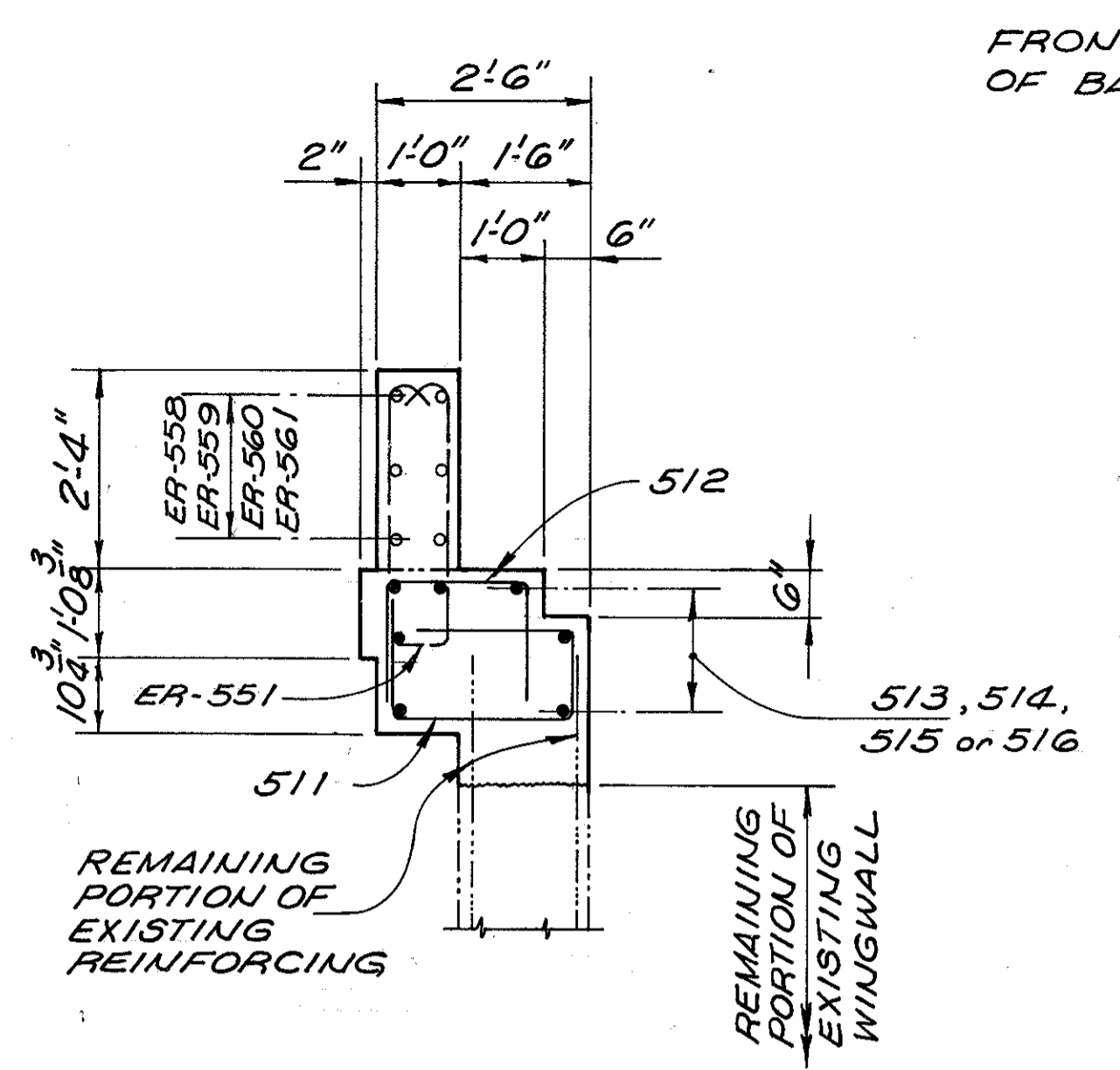
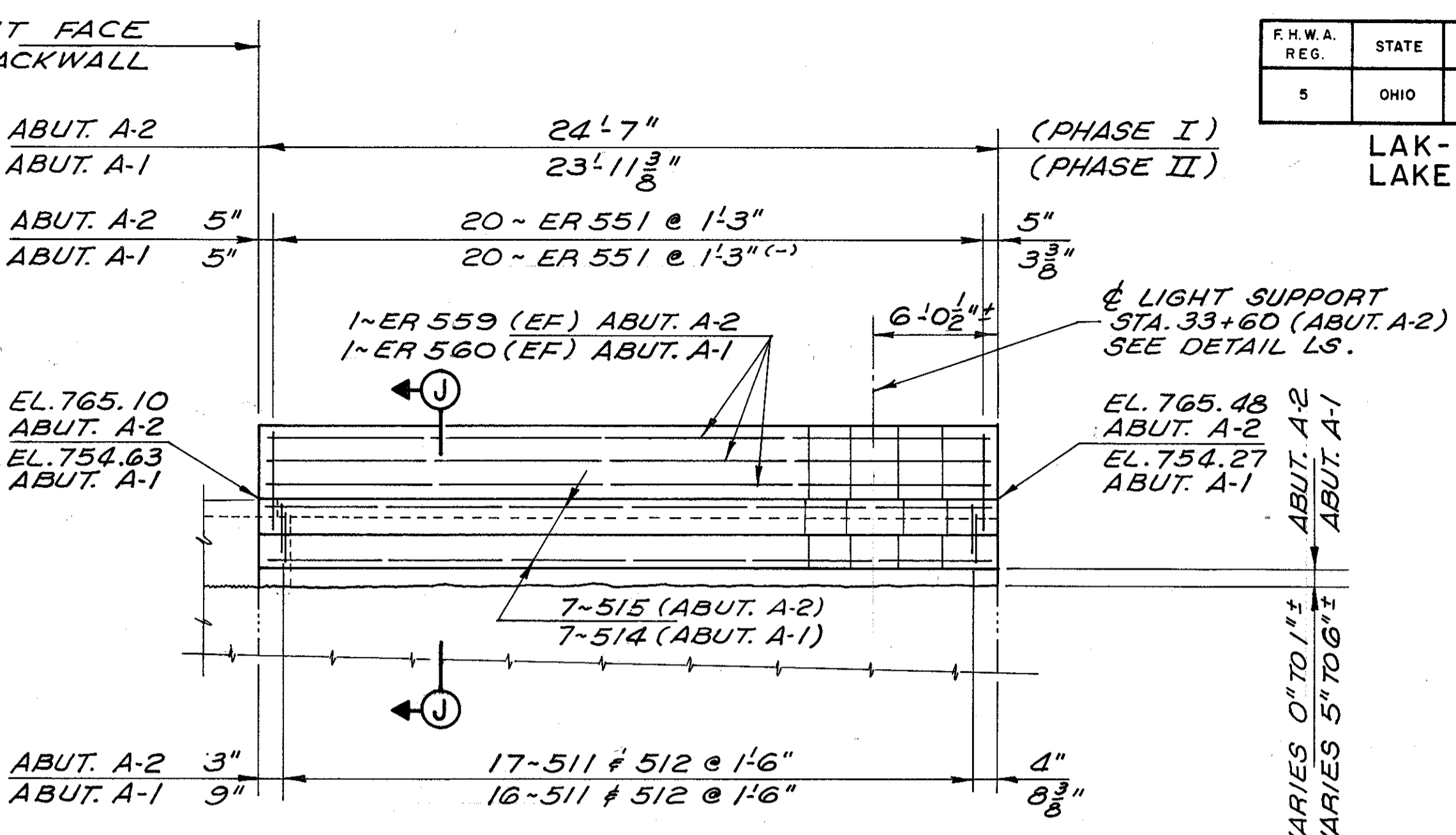


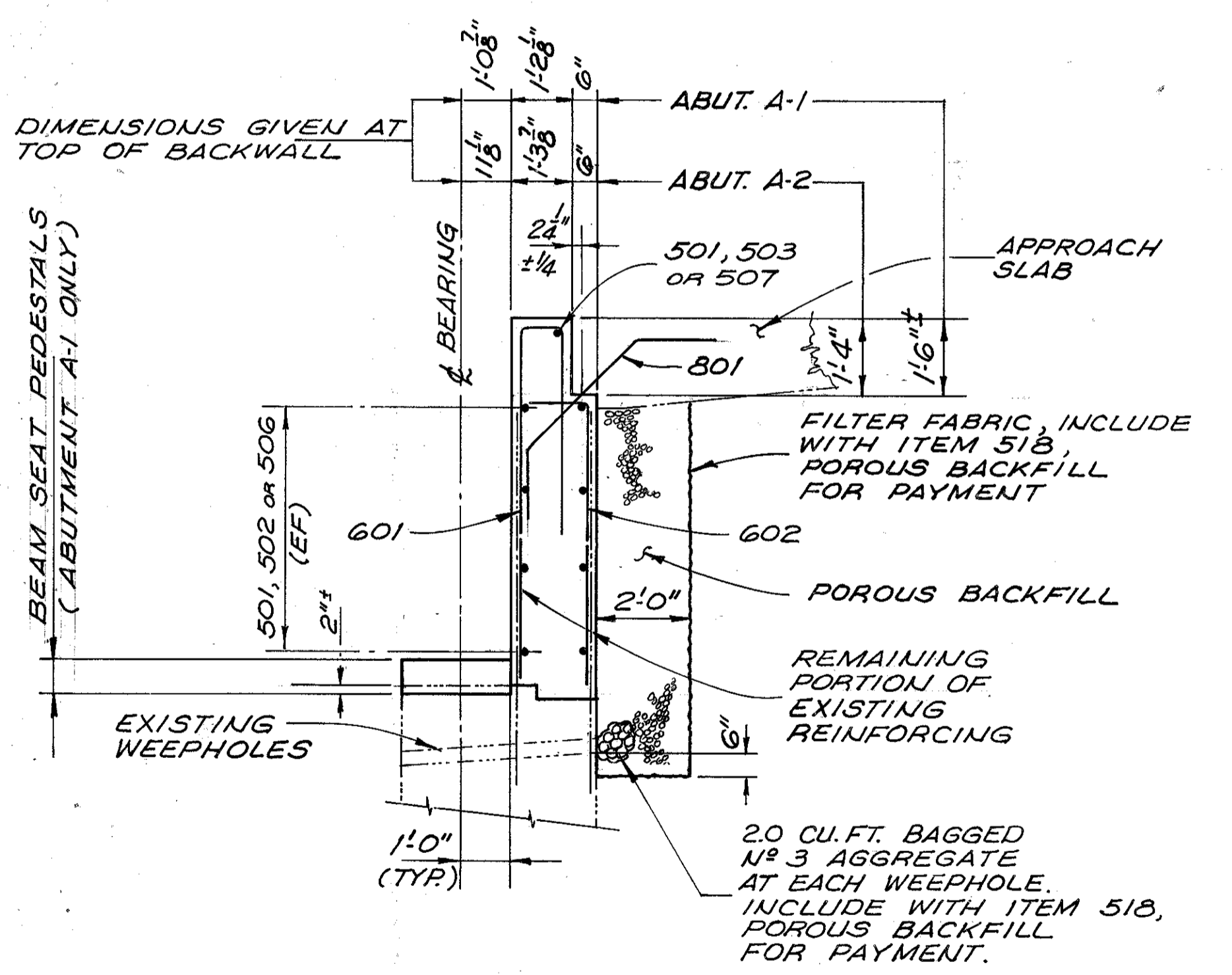
VIEW C-C
ABUTMENT A-1 (EAST WINGWALL) PHASE I
ABUTMENT A-2 (WEST WINGWALL) PHASE II



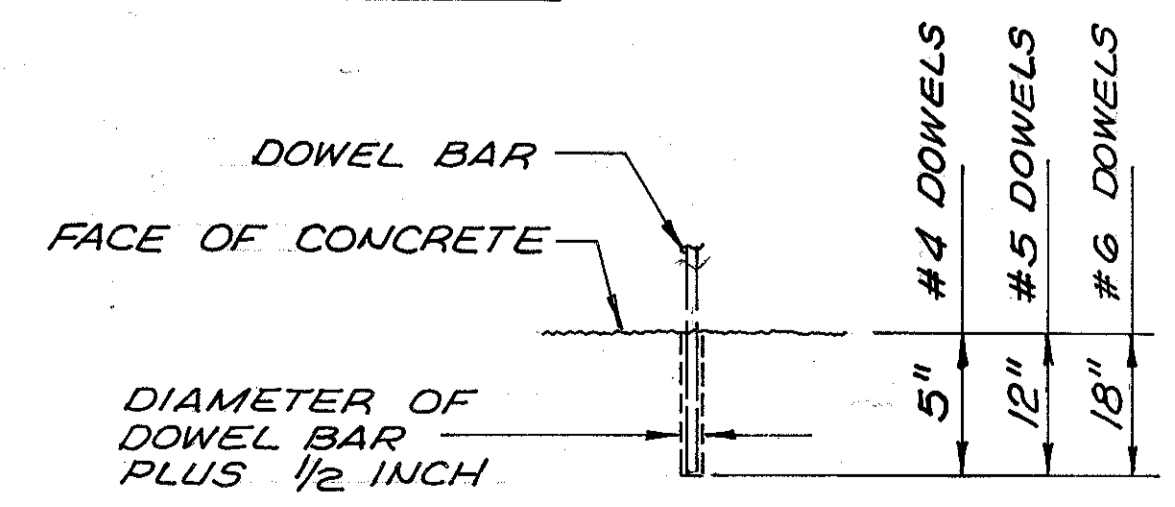
SECTION J-J



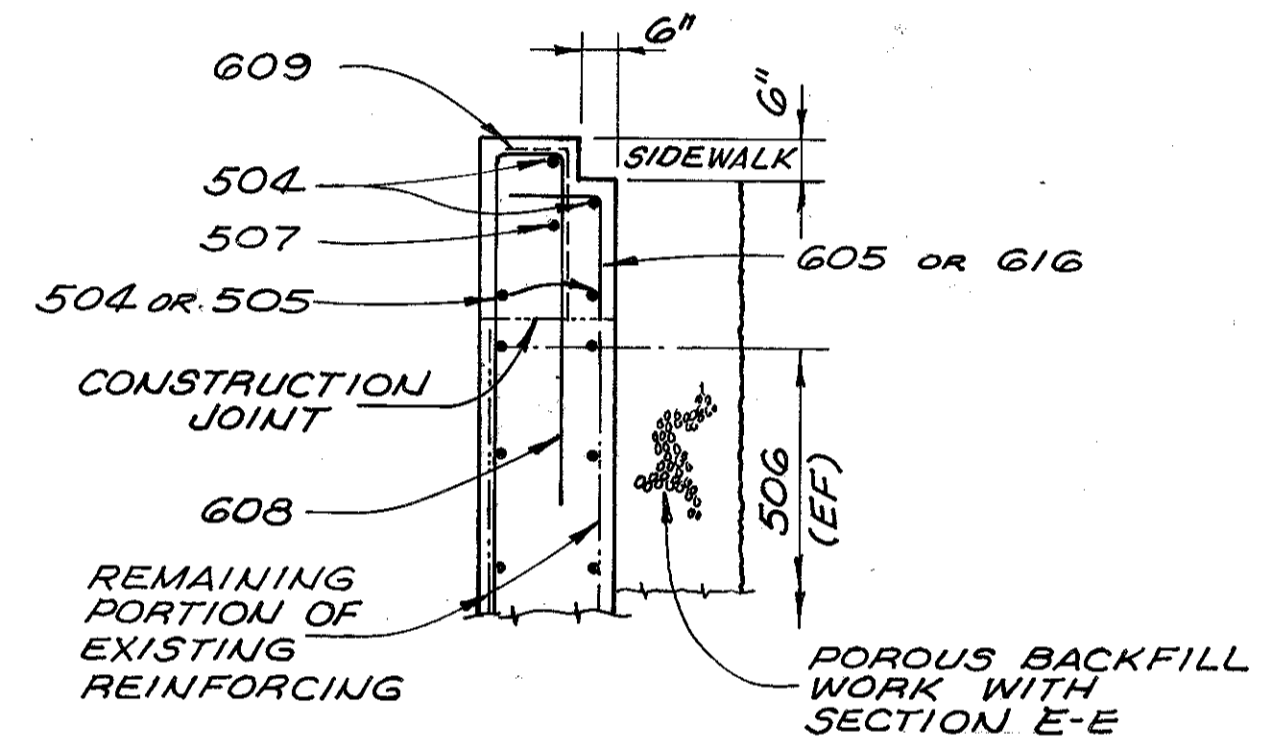
VIEW D-D
ABUTMENT A-2 (EAST WINGWALL) PHASE I
ABUTMENT A-1 (WEST WINGWALL) PHASE II



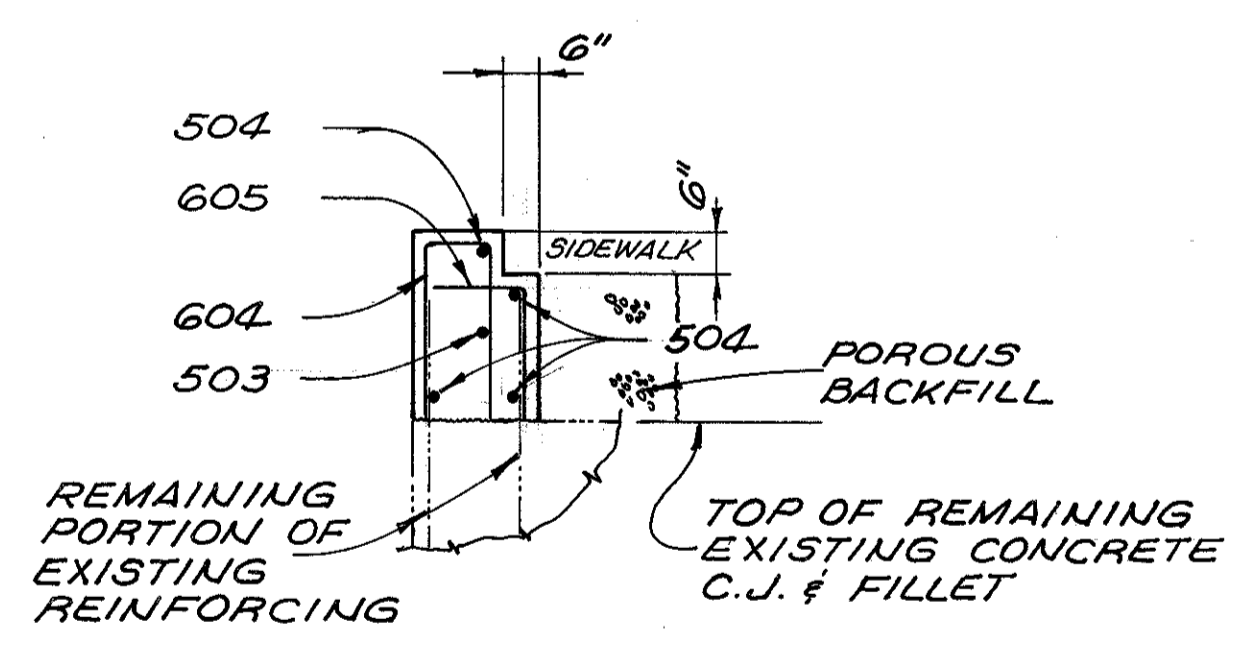
SECTION E-E



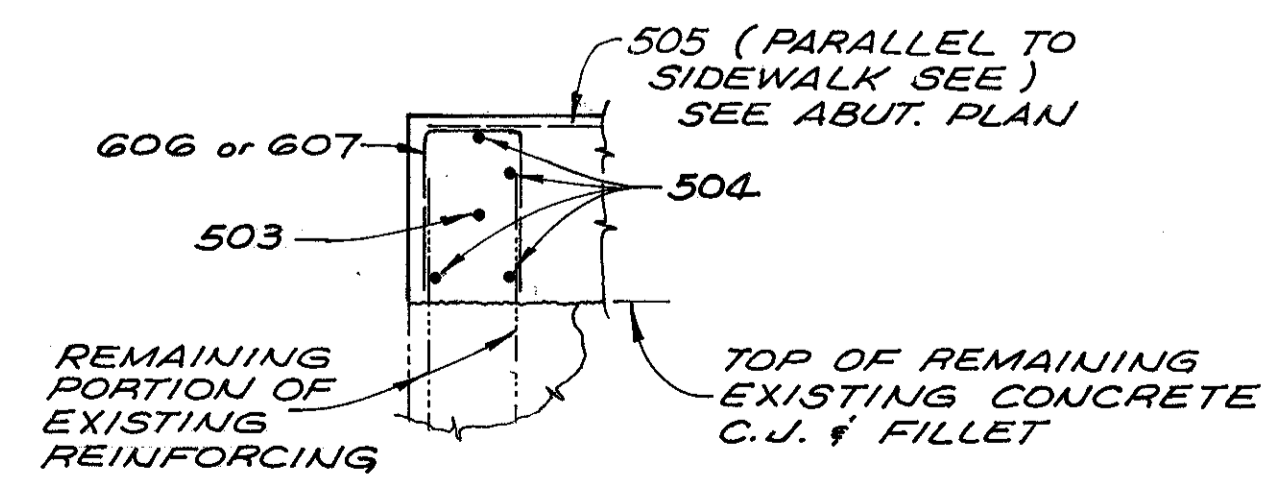
DOWEL DETAIL
DOWEL BARS SHALL BE DRILLED & GROUTED IN PLACE & IN ACCORDANCE WITH ITEM 510, DOWEL HOLES.



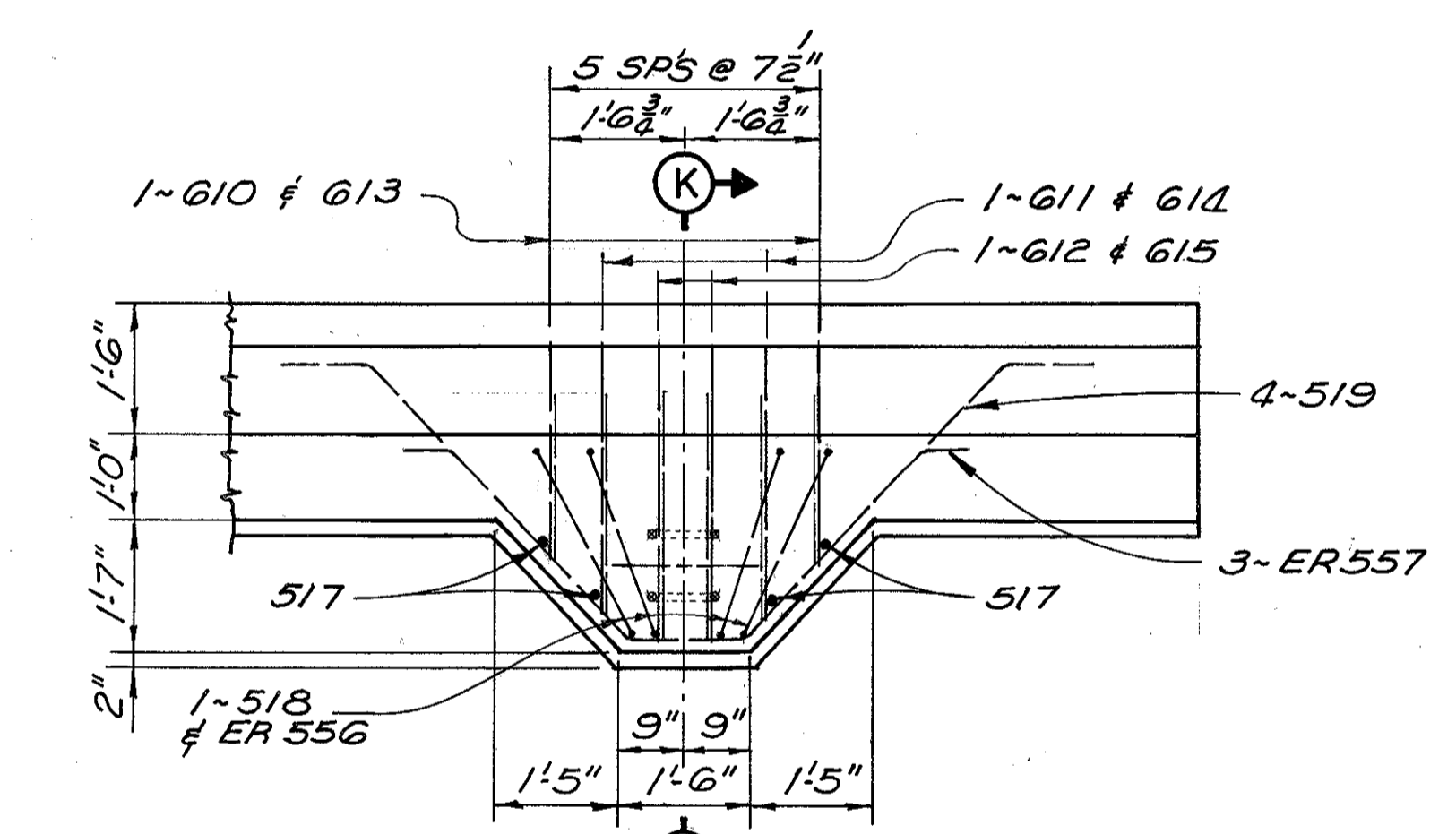
SECTION F-F



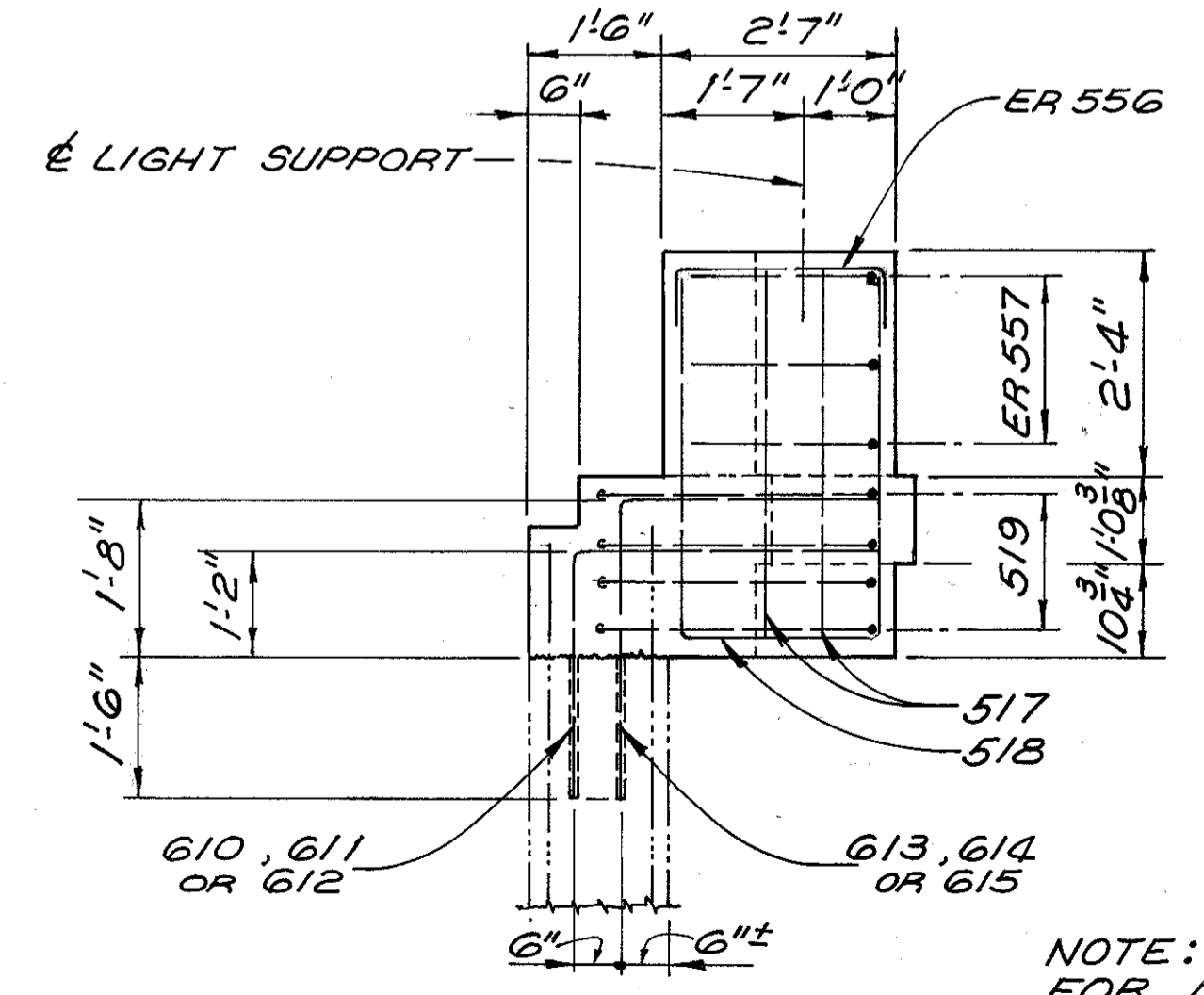
SECTION G-G



SECTION H-H



PLAN



**SECTION K-K
DETAIL LS**

NOTE:
FOR ANCHOR BOLT
DETAIL AND ADDITIONAL
LIGHT SUPPORT DETAIL
NOT SHOWN HERE
SEE SHEET 12/16.

- NOTE:**
- FOR LOCATION OF VIEWS C-C & D-D AND SECTIONS E-E, F-F, G-G & H-H SEE SHEETS 6/16 & 7/16.
 - FOR ADDITIONAL NOTES AND CROSS REFERENCES SEE SHEET 7/16.

URS					
ABUTMENT SECTIONS & DETAILS					
BRIDGE N# LAK-1-90-0328					
S.R.-91 OVER I-90					
LAKE COUNTY			WILLOUGHBY HILLS		
STA 26+74.51 TO STA 33+04.07					
DESIGNED	DRAWN	TRACED	CHECKED	REVIEWED	DATE
9/2	A.L.H.		9/2	JOT	10-17-90