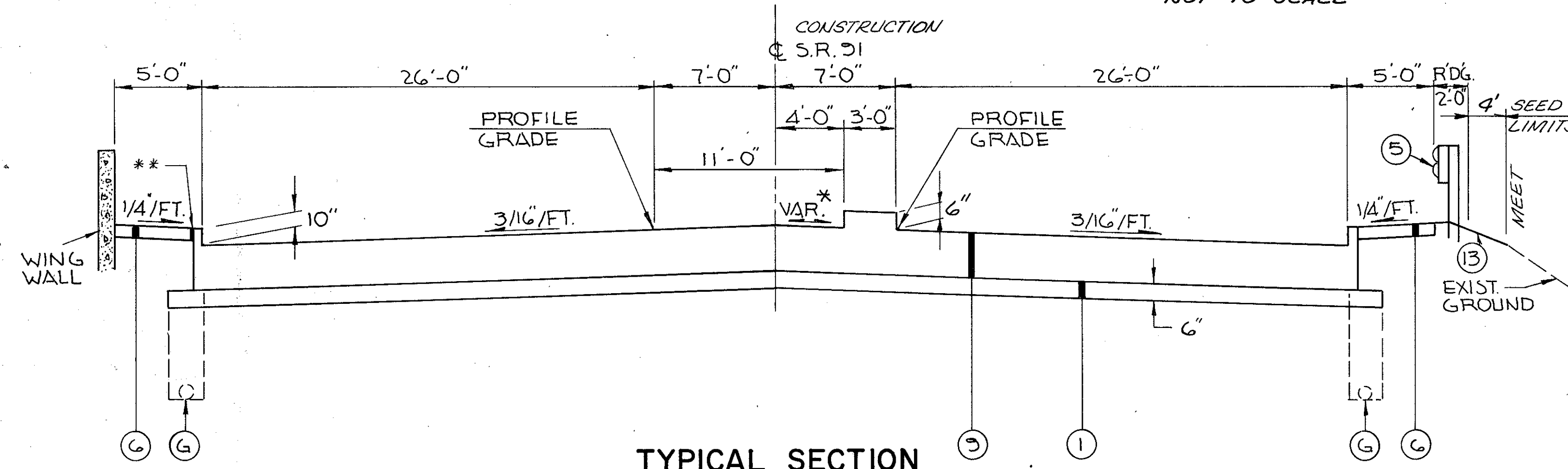


TYPICAL SECTIONS

NOT TO SCALE

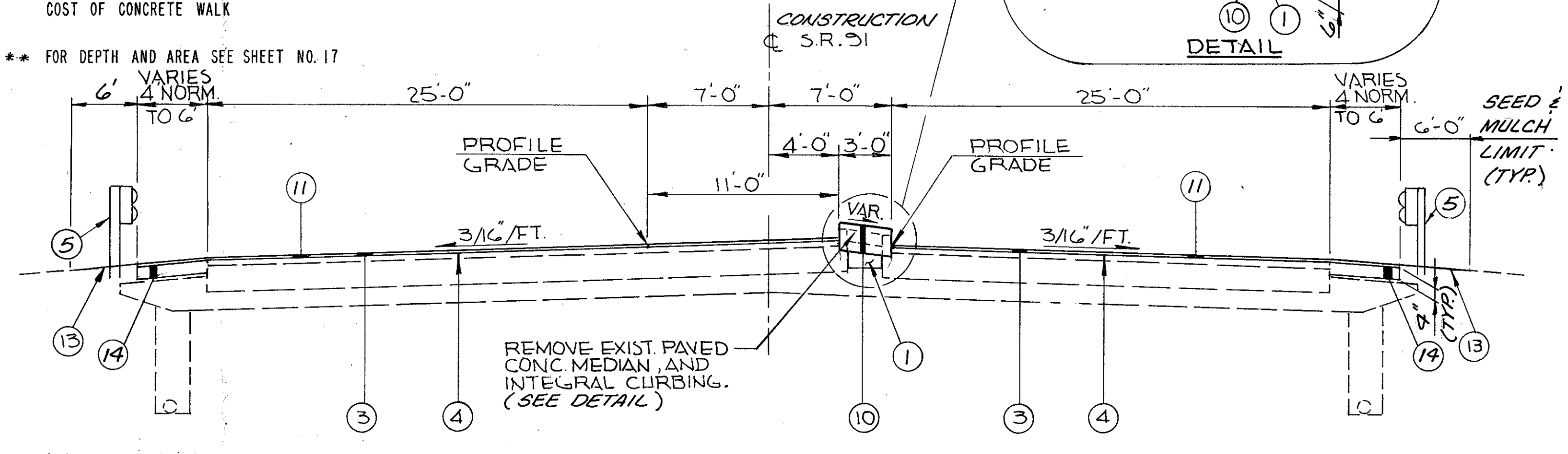
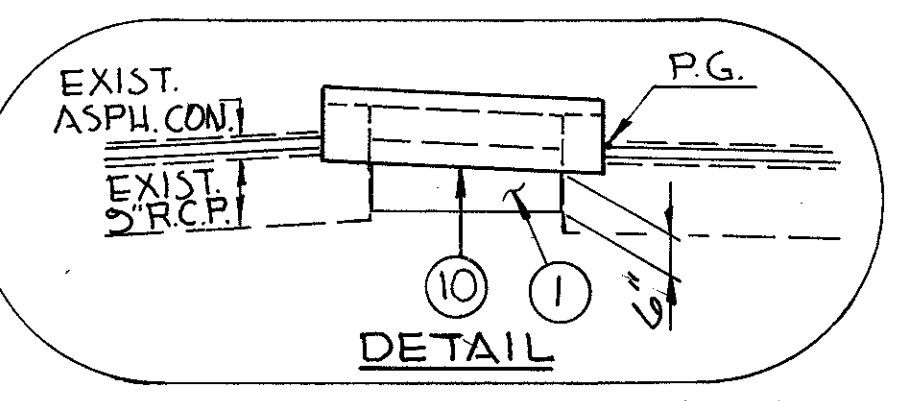
LAK-90-3.28

LAKE COUNTY



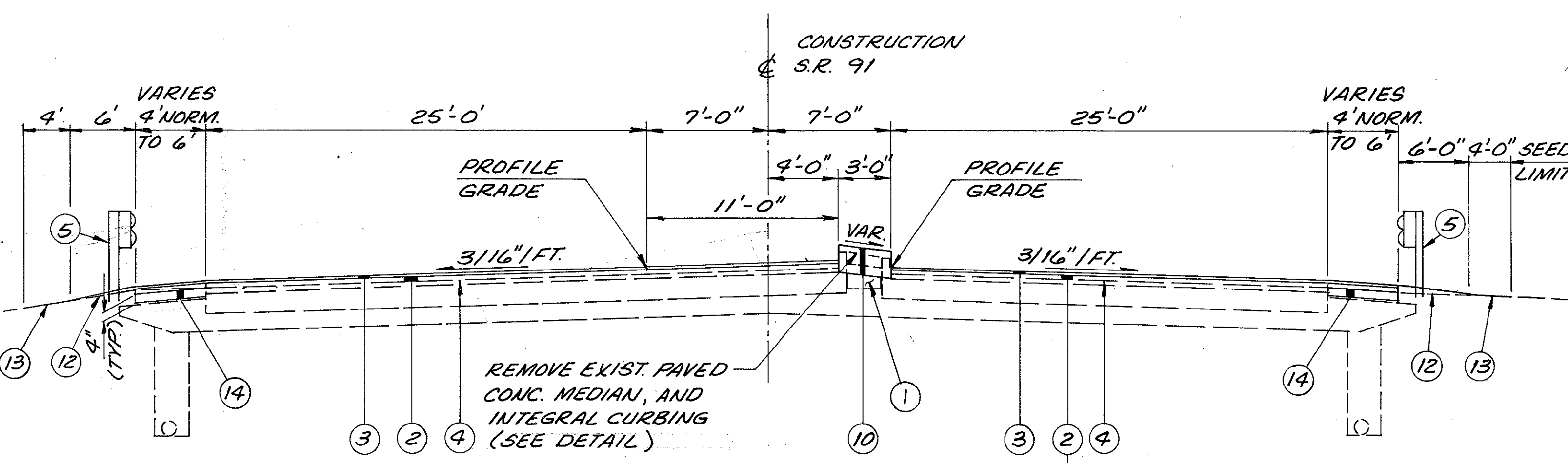
TYPICAL SECTION THROUGH APPROACH SLABS
 STA. 26+49.51 TO STA. 26+74.51
 STA. 33+04.07 TO STA. 33+29.07

* TRANSITION FROM PLUS TO MINUS 3/16 IN./FT. WITHIN LENGTH OF APPROACH SLABS.
 ** PREFORMED FILLER, 705.03, INCLUDED IN THE COST OF CONCRETE WALK
 *** FOR DEPTH AND AREA SEE SHEET NO. 17



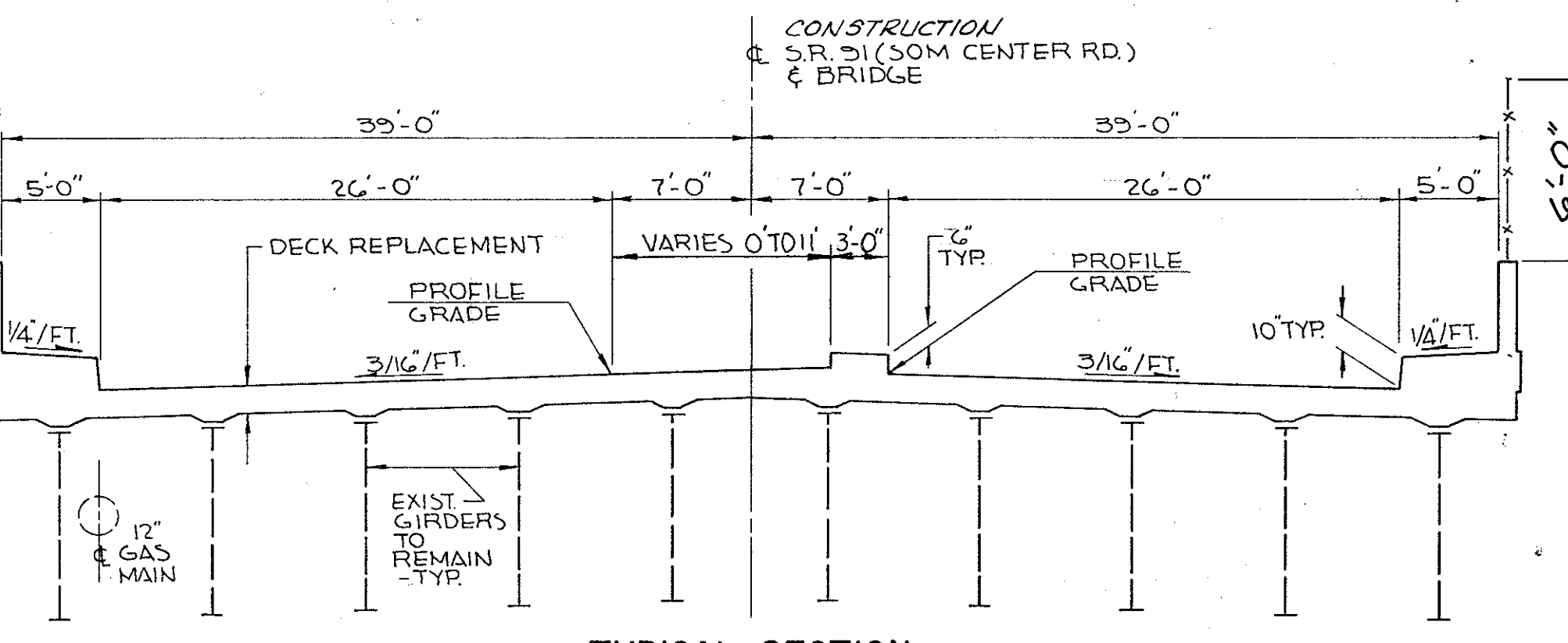
TYPICAL SECTION OUTSIDE OF APPROACH SLABS
 STA. 24+08 TO STA. 25+15
 STA. 33+29.07 TO STA. 35+00

NOTE: FOR EXISTING COMPOSITION, SEE TYPICAL SECTION AND LEGEND ON THIS SHEET

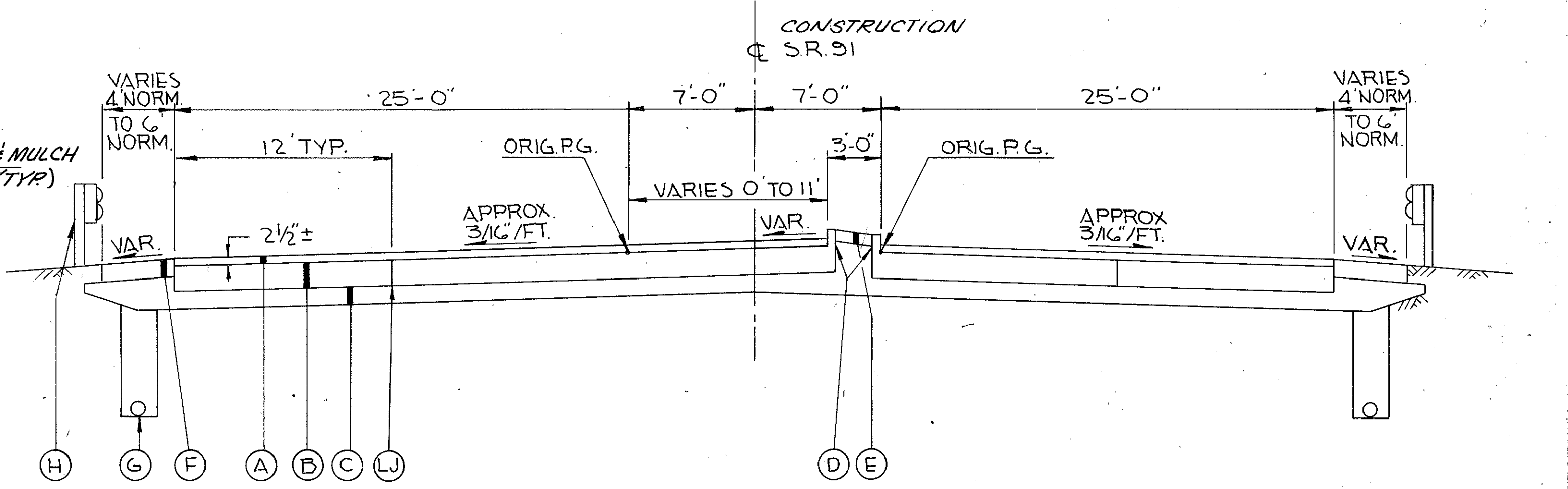
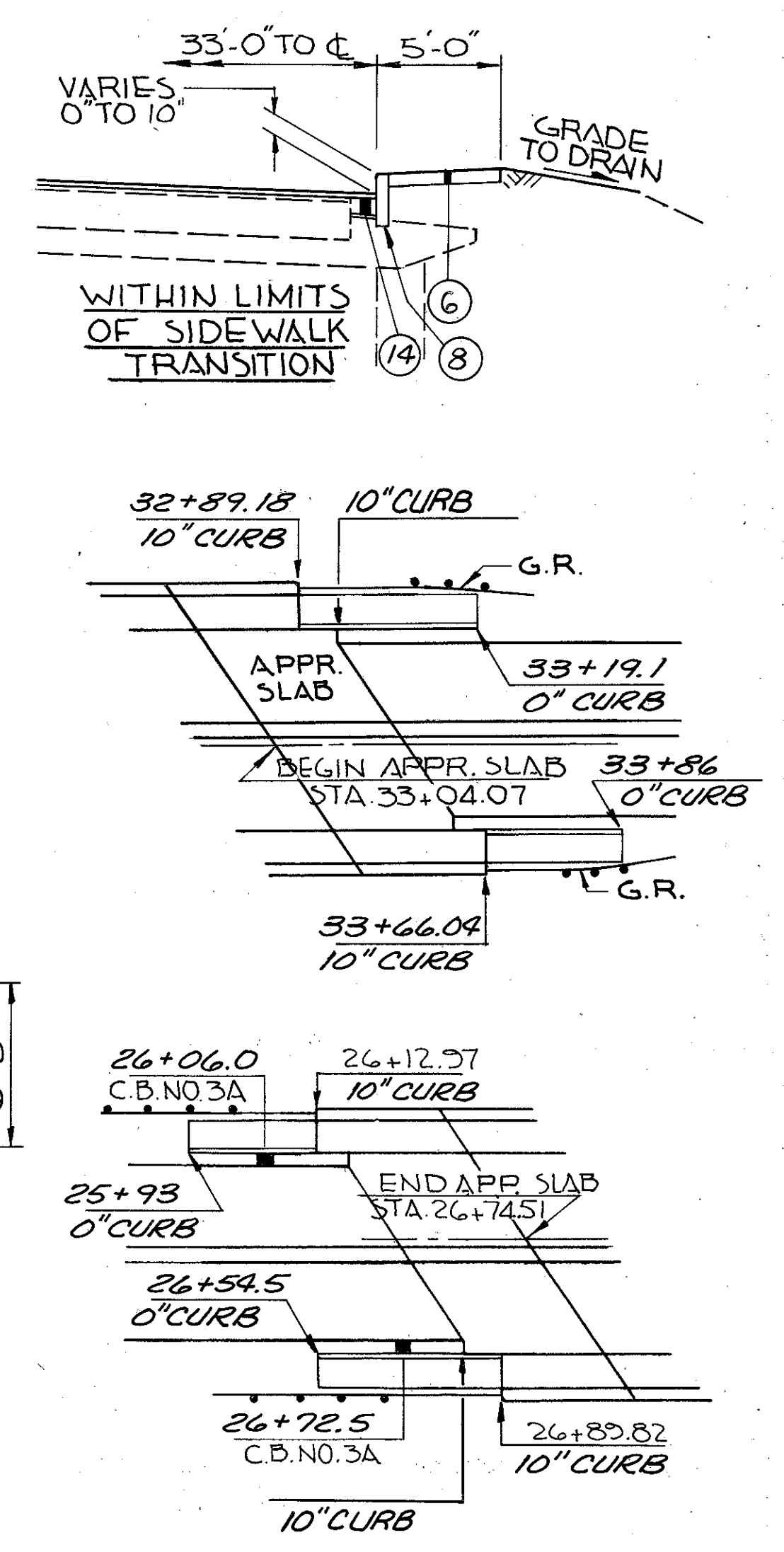


TYPICAL SECTION OUTSIDE OF APPROACH SLABS
 STA. 25+15 TO STA. 26+49.51

- LEGEND**
- PROPOSED-**
- ① ITEM 310 - SUBBASE, TYPE I, GRADING A, AS PER PLAN
 - ② ITEM 403 - VARIABLE DEPTH ASPHALT CONCRETE, AC-20
 - ③ ITEM 404 - 1 1/4" ASPHALT CONCRETE, AC-20
 - ④ ITEM 407 - TACK COAT
 - ⑤ ITEM 606 - GUARDRAIL, TYPE 5
 - ⑥ ITEM 608 - 4" CONCRETE WALK
 - ⑧ ITEM 609 - CURB, TYPE 6
 - ⑨ ITEM 611 - REINFORCED CONCRETE APPROACH SLAB (T=15")
 - ⑩ ITEM 612 - CONCRETE MEDIAN
 - ⑪ ITEM 254 - PAVEMENT PLANING, BITUMINOUS (***)
 - ⑫ ITEM 617 - COMPACTED AGGREGATE, TYPE A
 - ⑬ ITEM 203 - LINEAR GRADING
 - ⑭ ITEM 301 - BITUMINOUS AGGREGATE BASE
 - ⑮ ITEM 402 - ASPHALT CONCRETE, AC-20 (***)
- EXISTING-**
- Ⓐ ASPHALT CONCRETE RESURFACING
 - Ⓑ 9" REINFORCED CONCRETE PAVEMENT
 - Ⓒ 6" SUBBASE
 - Ⓓ INTEGRAL CONCRETE CURB
 - Ⓔ PAVED CONCRETE MEDIAN (4")
 - Ⓕ 6" CRUSHED AGGREGATE
 - Ⓖ 6" PIPE UNDERDRAIN
 - Ⓗ GUARDRAIL
 - ⒴ LONGITUDINAL JOINT



TYPICAL SECTION OF REPLACEMENT STRUCTURE



EXISTING TYPICAL SECTION ON APPROACHES