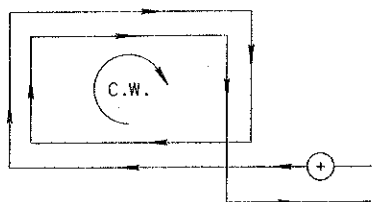
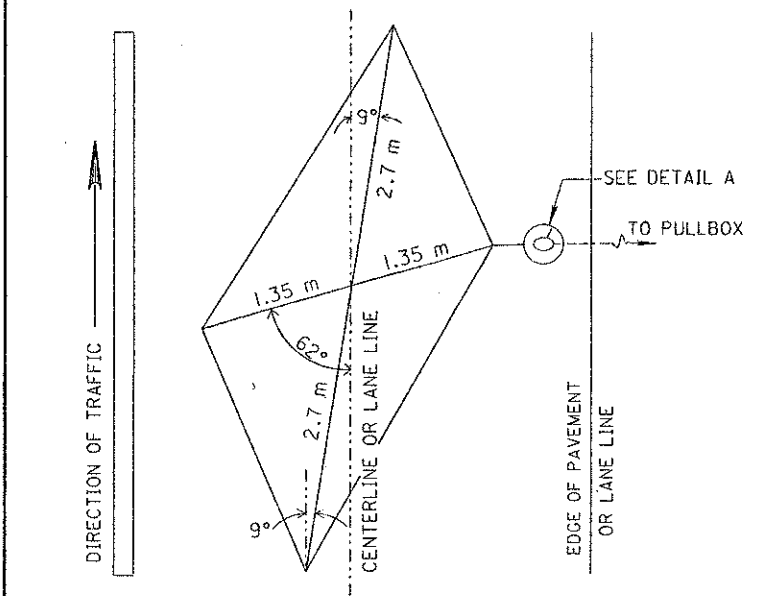


TYPICAL SAW SLOT INSTALLATION

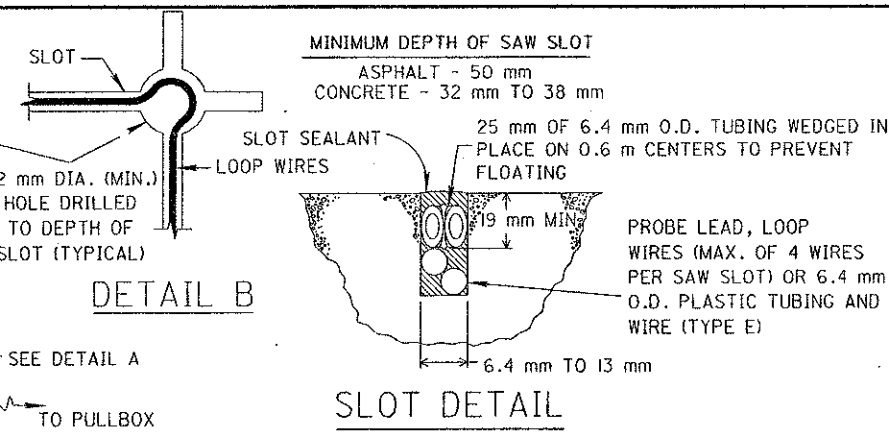
LOOP WIRE CONSTRUCTION	
LOOP PERIMETER	NUMBER OF TURNS
LESS THAN 12 m	3
12 m TO 49 m	2
OVER 49 m	1



TYPICAL POLARITY MARKING

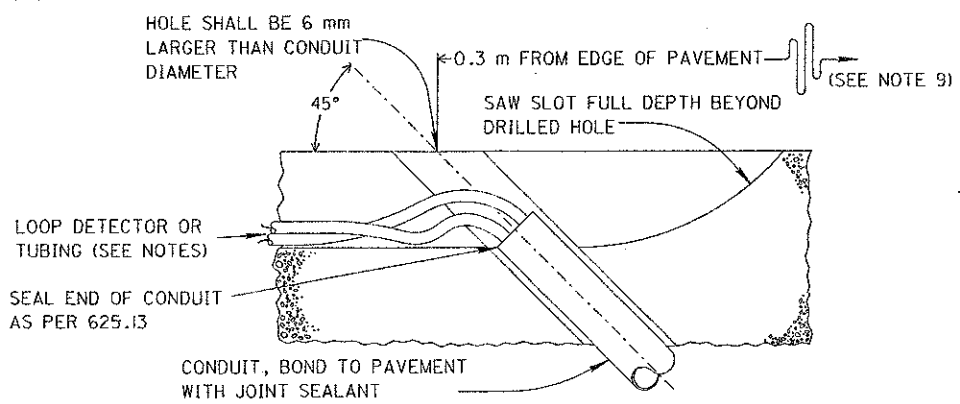


3.6 m LANE ANGULAR DESIGN DETECTION LOOP DETAIL (SEE NOTE 11)

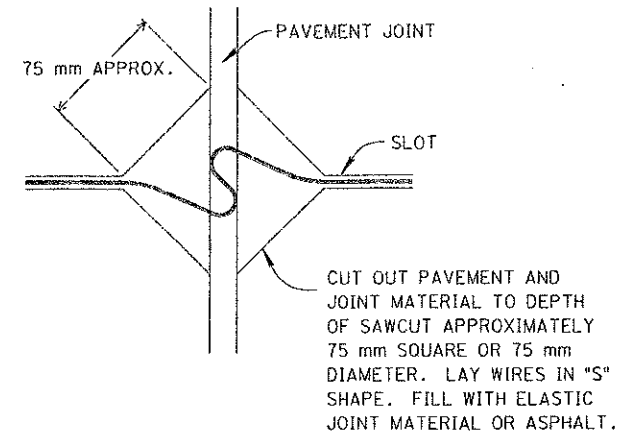
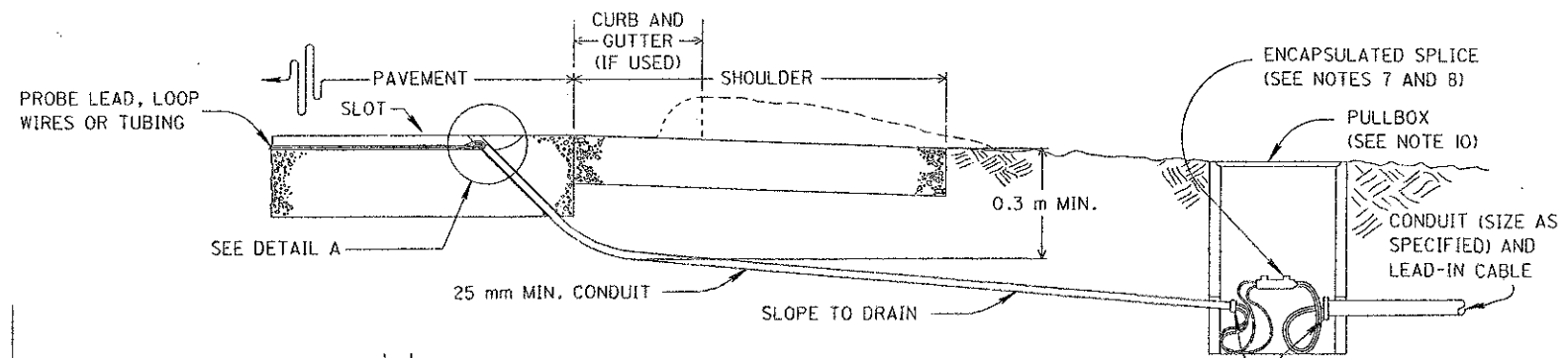


DETAIL B

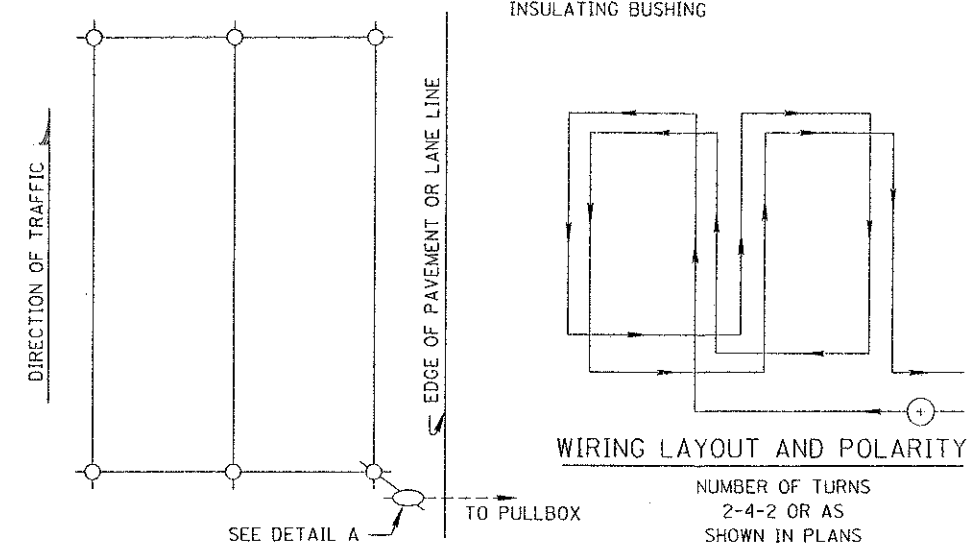
SLOT DETAIL



DETAIL A

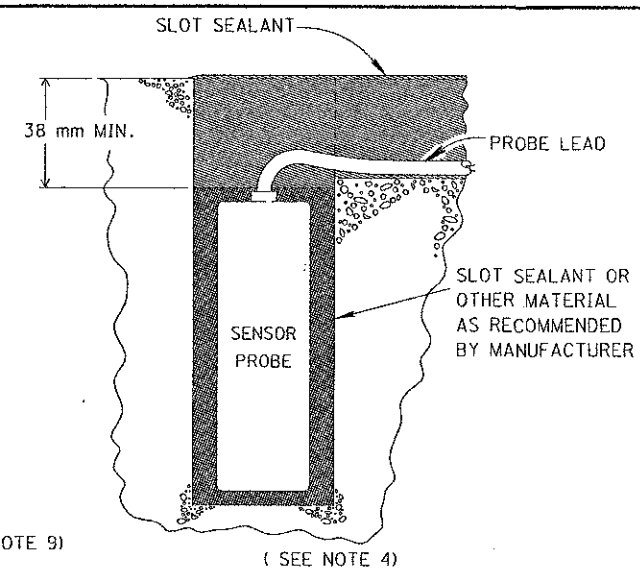


JOINT CROSSING DETAIL IN P.C.C. PAVEMENTS



WIRING LAYOUT AND POLARITY

FIGURE 8 (QUADRUPOLE) LOOP DETAILS



MAGNETOMETER SENSOR PROBE INSTALLATION

NOTES

1. SAW SLOTS AND PROBE HOLES SHALL BE THOROUGHLY CLEANED AND DRIED PRIOR TO INSTALLATION OF WIRES, SENSOR AND SEALANT.
2. WIRE INSTALLATIONS IN NEW ASPHALT MAY BE SAWED AND EMBEDDED WITH SEALANT IN A SUB-SURFACE COURSE WITH SUBSEQUENT COVERING BY THE SURFACE COURSE, SUBJECT TO APPROVAL OF THE ENGINEER.
3. IN CASES WHERE THE LATERAL DIMENSION OF THE LOOP WOULD BE LESS THAN 2.4 METERS, THE LONGITUDINAL DIMENSION SHALL BE INCREASED TO OBTAIN A MINIMUM AREA OF 4.5 SQUARE METERS, UNLESS THE SMALLER DIMENSIONS ARE SPECIFICALLY REQUIRED BY THE PLANS.
4. THE MAGNETOMETER HOLE SIZE SHALL BE APPROXIMATELY 19 mm LARGER THAN THE DETECTOR PROBE DIAMETER AND A DEPTH AS RECOMMENDED BY THE MANUFACTURER OR AS DIRECTED BY THE ENGINEER.
5. NO SAW SLOT SHALL BE LOCATED WITHIN 0.3 METER OF A LONGITUDINAL OR TRANSVERSE JOINT IN PCC PAVEMENTS, IF THE SLOT IS PARALLEL TO THE JOINT.
6. FIELD ADJUSTMENTS OF DETECTOR LOCATIONS OR SIZES SHALL BE MADE TO AVOID DETECTOR LOCATIONS WHICH WOULD PASS THROUGH OR ENCOMPASS MAJOR OBSTRUCTIONS SUCH AS MANHOLES, AND IN ORDER TO MINIMIZE CROSSING OR CUTTING ADJACENT TO PAVEMENT JOINTS. IN AREAS OF POOR PAVEMENT CONDITION, THE SAW SLOT DEPTH SHALL BE INCREASED TO INSURE ADEQUATE WIRE EMBEDMENT. ALL FIELD ADJUSTMENTS SHALL BE SUBJECT TO APPROVAL OF THE ENGINEER.
7. LOOP DETECTOR WIRE TO LEAD-IN CABLE SPLICES WITHIN EPOXY ENCAPSULATED SPLICE ENCLOSURES SHALL BE SOLDERED.
8. IF A PULLBOX IS NOT SPECIFIED ON THE PLANS, THE SPLICE SHALL BE MADE IN THE FIRST ENTERED POLE OR PEDESTAL, EXCEPT WHERE THE CONTROLLER CABINET IS MOUNTED ON THE POLE OR PEDESTAL, IN WHICH CASE THE LOOP WIRES SHALL BE ROUTED DIRECTLY INTO THE CABINET.
9. THE DRILLED HOLE SHALL BE 0.3 METER FROM THE EDGE OF PAVEMENT, AND WITHIN THE FULL DEPTH PAVEMENT. IT SHALL NOT BE DRILLED OR CUT THROUGH SHOULDER PAVEMENT OR THROUGH A CURB AND GUTTER SECTION.
10. PULLBOXES SHALL BE INSTALLED FLUSH TO THE EXISTING GRADE.
11. OTHER SIZES CAN BE DESIGNATED AS LONG AS THE ANGLES REMAIN THE SAME AS SHOWN AND THE DIMENSION RATIO REMAINS 2 : 1.

METRIC	
BUREAU OF DESIGN SERVICES DIVISION OF HIGHWAYS OHIO DEPARTMENT OF TRANSPORTATION	
TRAFFIC CONTROL	DATE 11/24/93
VEHICLE DETECTOR INSTALLATION DETAILS	
STANDARD CONSTRUCTION DRAWING	TC-82.10M
APPROVED <i>[Signature]</i> ENGR. OF DESIGN SERVICES	