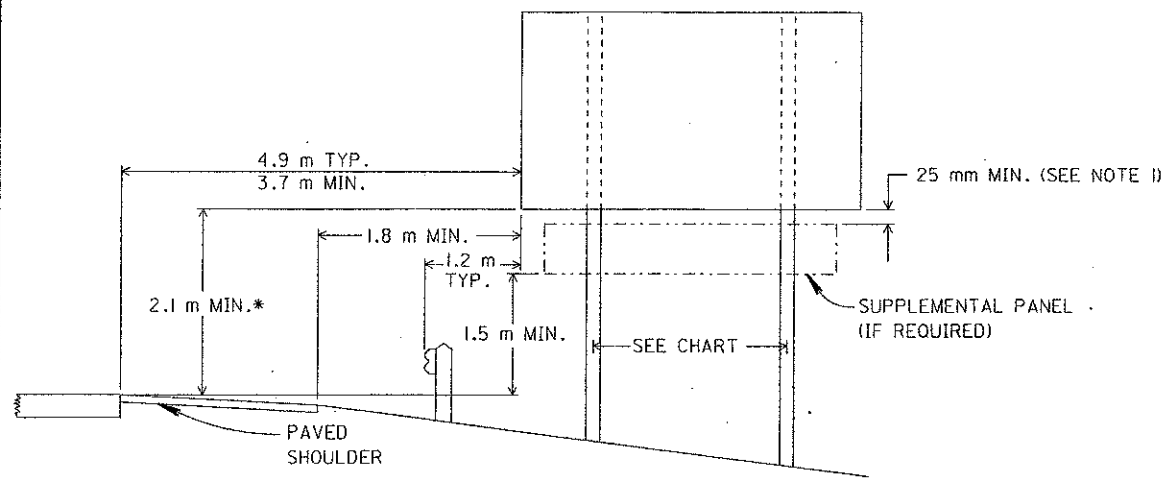
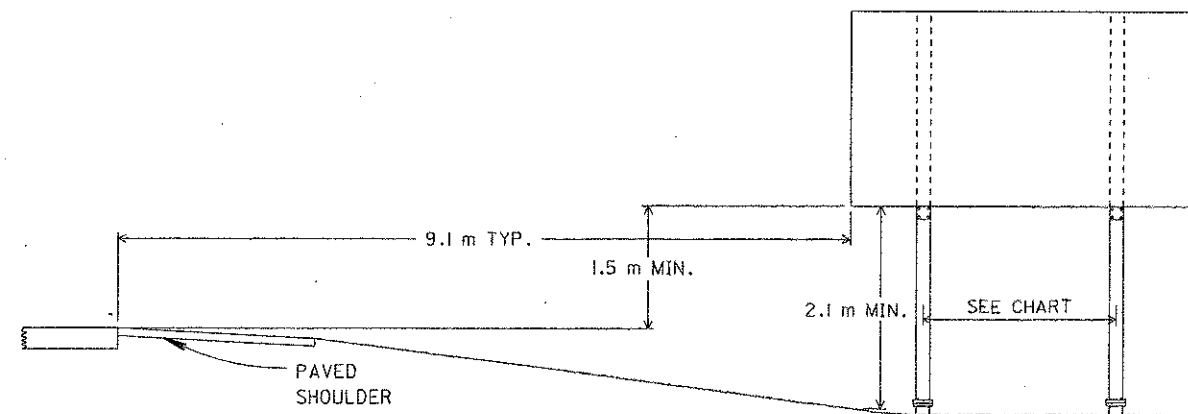


FREEWAYS AND EXPRESSWAYS

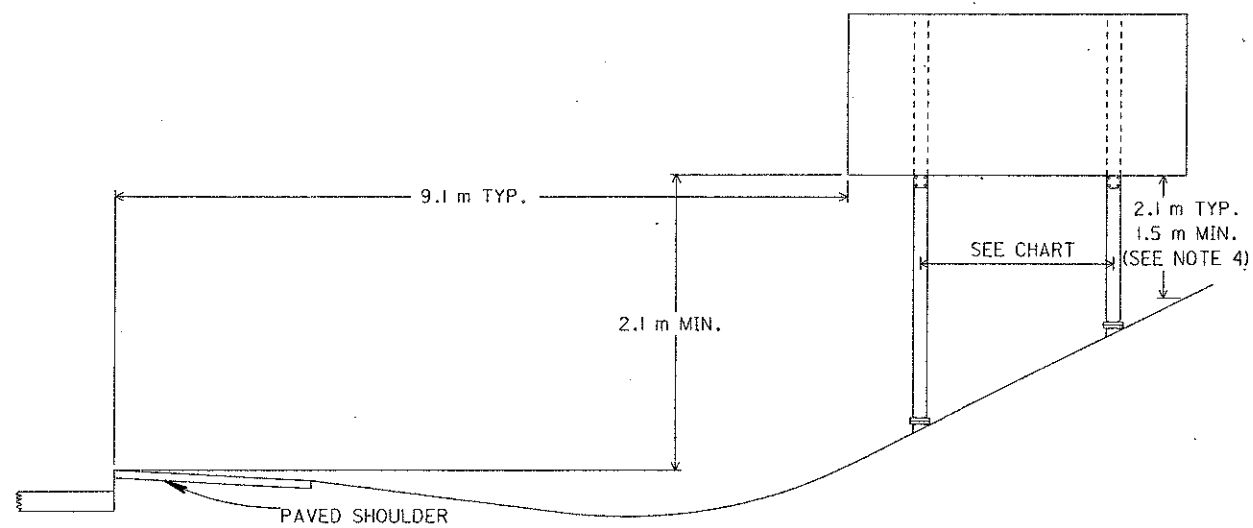


TYPICAL INSTALLATION WITH GUARDRAIL

* 2.4 m MIN. WITH SUPPLEMENTAL PANEL

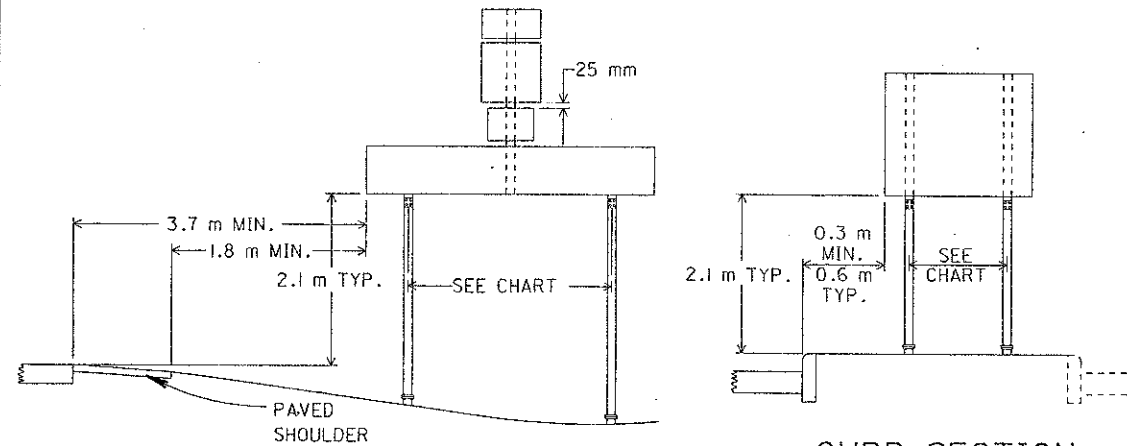


TYPICAL INSTALLATION, FILL SECTION, 9.1 m OFFSET



TYPICAL INSTALLATION, CUT SECTION, 9.1 m OFFSET

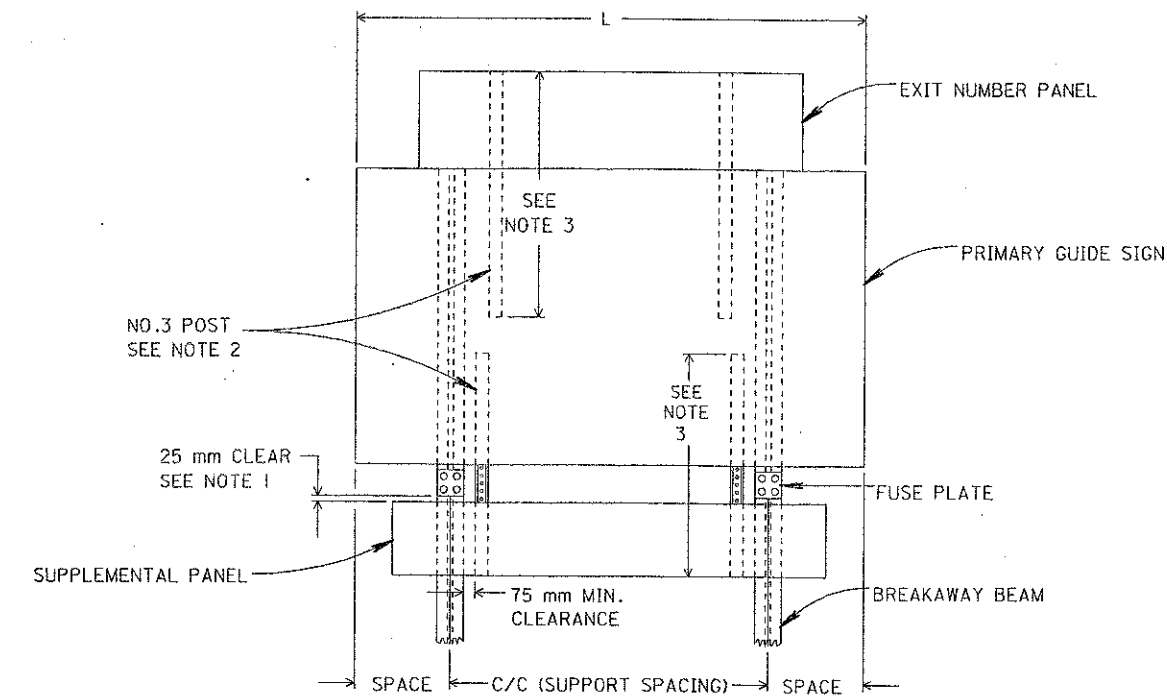
STREETS-RAMPS-HIGHWAYS



CURB SECTION

NOTES

- SUPPLEMENTAL PANELS SHALL BE MOUNTED 25 mm BELOW THE FUSE PLATE ON BREAKAWAY BEAM INSTALLATIONS AND 25 mm MINIMUM BELOW THE GUIDE SIGN WHEN THE SIGN SUPPORTS ARE RIGID BEAMS.
- NO. 3 POST SHALL BE ATTACHED TO BOTH THE GUIDE SIGN AND THE EXIT NUMBER OR OTHER SUPPLEMENTAL PANELS BY MOUNTING CLIPS FASTENED ALTERNATELY AT EACH HORIZONTAL EXTRUSION AND BOTH SIDES AT THE TOP AND BOTTOM OF THE POSTS. NO CONNECTIONS SHALL BE MADE BETWEEN THE SUPPLEMENTAL PANEL AND BREAKAWAY BEAMS.
- LENGTH OF POST SHALL BE 2.5 TIMES THE HEIGHT OF THE SUPPLEMENTAL PANEL. THE POST SPACING SHALL BE AS PER THE SUPPORT SPACING CHART.
- USE 1.5 m MINIMUM IF BACK SLOPES ARE GREATER THAN 3 TO 1.



SUPPLEMENTAL PANEL ATTACHMENT

SUPPORT SPACING CHART							
2 SUPPORTS				3 SUPPORTS			
L (meters)	SPACING (meters)			L (meters)	SPACING (meters)		
	SPACE	C/C	SPACE		SPACE	C/C	C/C
1.5	0.33	0.84	0.33	6.0	0.40	2.60	0.40
1.8	0.40	1.00	0.40	6.3	0.55	2.60	0.55
2.1	0.46	1.18	0.46	6.6	0.70	2.60	0.70
2.4	0.52	1.36	0.52	6.9	0.85	2.60	0.85
2.7	0.59	1.52	0.59	7.2	1.00	2.60	1.00
3.0	0.65	1.70	0.65	7.5	1.00	2.75	1.00
3.3	0.72	1.86	0.72	7.8	1.05	2.85	1.05
3.6	0.80	2.00	0.80	8.1	1.10	2.95	1.10
3.9	0.85	2.16	0.85	8.4	1.15	3.05	1.15
4.2	0.90	2.32	0.90				
4.5	0.95	2.48	0.95				
4.8	1.00	2.64	1.00				
5.1	1.05	2.80	1.05				
5.4	1.10	2.96	1.10				
5.7	1.15	3.12	1.15				

METRIC

BUREAU OF DESIGN SERVICES
DIVISION OF HIGHWAYS
OHIO DEPARTMENT OF TRANSPORTATION

TRAFFIC CONTROL	DATE
TYPICAL SIGN PLACEMENT GUIDE SIGNS	03/31/94
STANDARD CONSTRUCTION DRAWING	TC-42.10M
APPROVED <i>[Signature]</i>	ENGR. OF DESIGN SERVICES