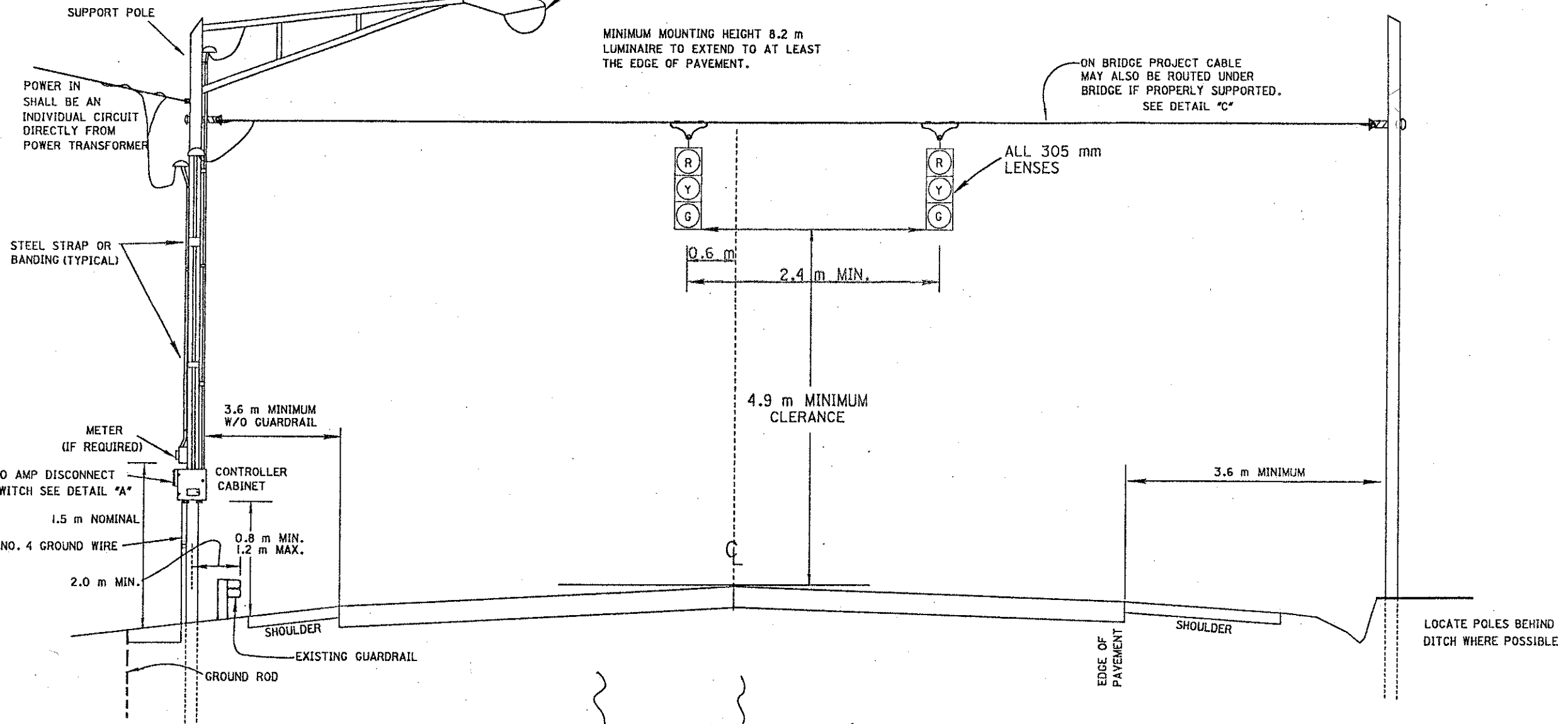


AREA ILLUMINATION SHALL BE PROVIDED BY USING 150 WATT MINIMUM HIGH PRESSURE SODIUM LUMINAIRES OR 250 WATT MINIMUM MERCURY LUMINAIRES

MINIMUM MOUNTING HEIGHT 8.2 m LUMINAIRE TO EXTEND TO AT LEAST THE EDGE OF PAVEMENT.

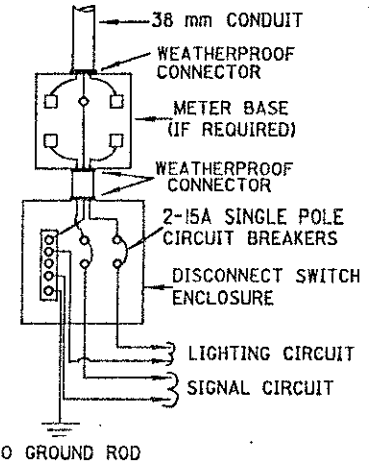
ON BRIDGE PROJECT CABLE MAY ALSO BE ROUTED UNDER BRIDGE IF PROPERLY SUPPORTED. SEE DETAIL "C"



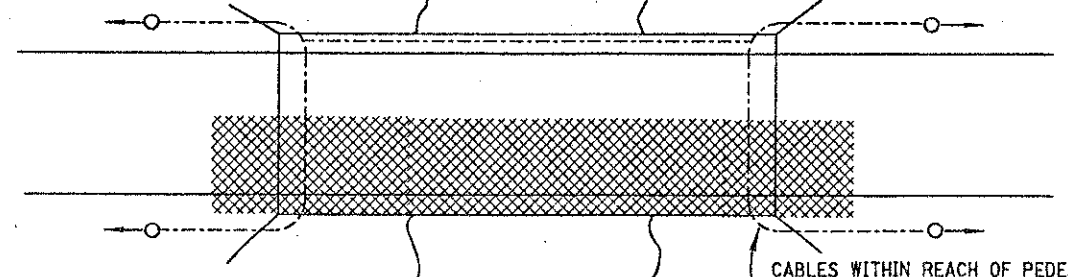
0.6 m
2.4 m MIN.

4.9 m MINIMUM CLEARANCE

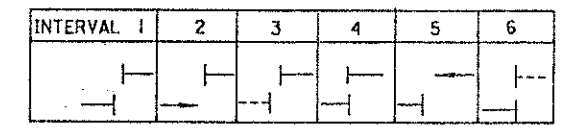
3.6 m MINIMUM



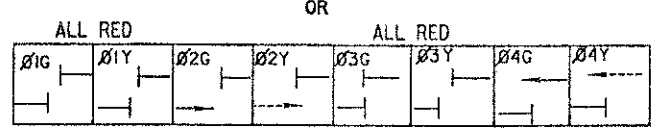
DETAIL "A"



ALTERNATE CABLE ROUTING
DETAIL "C"



USING A PRETIMED CONTROL



WHEN CALLED FOR IN THE PLANS, Ø2 GREEN AND Ø4 GREEN SHALL BE ACTUATED BY DETECTORS AT APPROACH TO THE WORK ZONE. Ø1 & Ø3 ARE DUMMY PHASES TO TIME ALL RED INTERVAL. TIMING INITIALIZES ON PHASE ONE.

USING A 4 PHASE ACTUATED CONTROL

DETAIL "B"
SIGNAL PHASING

<h1>METRIC</h1>	
BUREAU OF DESIGN SERVICES DIVISION OF HIGHWAYS OHIO DEPARTMENT OF TRANSPORTATION	
MAINTENANCE OF TRAFFIC	DATE 01/30/95
DETAILS FOR SIGNALIZED CLOSING 1 LANE OF A 2 LANE HIGHWAY - OVERHEAD MOUNTED	
STANDARD CONSTRUCTION DRAWING MT-96.2IM	
APPROVED <i>[Signature]</i> ENGR. OF DESIGN SERVICES	WCC