

NOTES

POSTS: Posts may be round (standard single rail only) or 150x200 mm square-sawn pressure-treated wood or W150x13.5 galvanized steel. The same type post shall be used throughout the length of the project unless otherwise required by the plans or permitted by the Engineer. Round posts shall be 200 mm ± 25 mm in diameter at the top and not more than 75 mm larger at the butt with a uniform taper. Post may be set in drilled holes or may be driven to grade.

Wood posts shall be fabricated with square ends. Posts and blockouts shall be pressure-treated per CMS 710.14. Bolt holes shall be bored and the tops of posts shall be trimmed as shown, if required, after posts are set.

ALTERNATE BLOCKOUTS: Approved plastic blockouts may be used in lieu of the wood blockouts shown. The approved list is maintained by the Office of Materials Management.

WASHERS: Standard galvanized steel washers of the appropriate size shall be installed on the nut side of bolts through wood posts.

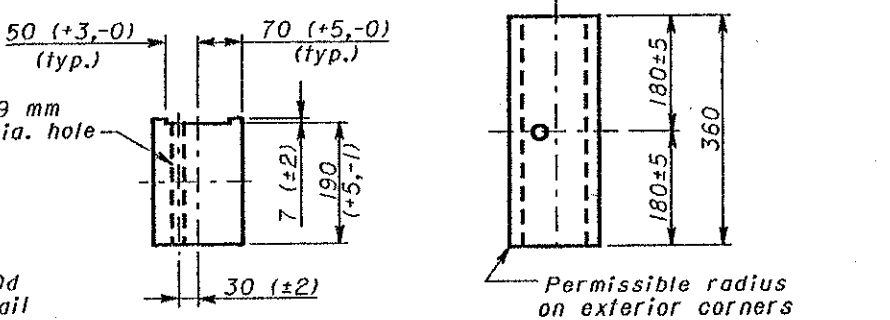
WELDED BEAMS: Welded beam guardrail posts and blockouts may be used for Item 606, Guardrail, provided the web and flange sizes are as shown hereon. Welding of the web to the flanges shall conform to ASTM A 769M, Class 1 using Grade 36 steel (250 MPa yield point) with the following exceptions:

- Sec. 7.2 Test reports of tensile properties for each lot shall accompany each shipment.
- Sec. 12 Beams that have imperfections repaired by welding shall not be accepted for use in Item 606.
- Sec. 13 Random samples shall be tested by the Department from materials delivered to the project site or other locations designated by the Laboratory.

POST EMBEDMENT DEPTH: For specific depth requirements, see SCD GR-1.2M.

STEEL BEAM POSTS & BLOCKS				
Size	Beam depth	Flange width	Flange thickness	Web thickness
Rolled W150x13.5	150 mm	100 mm	5.5 mm	4.3 mm
Welded 150x13.5	152 mm	100 mm	5.5 mm	4.3 mm

MISCELLANEOUS: For details not shown see SCD's GR-1.1M and GR-1.2M.



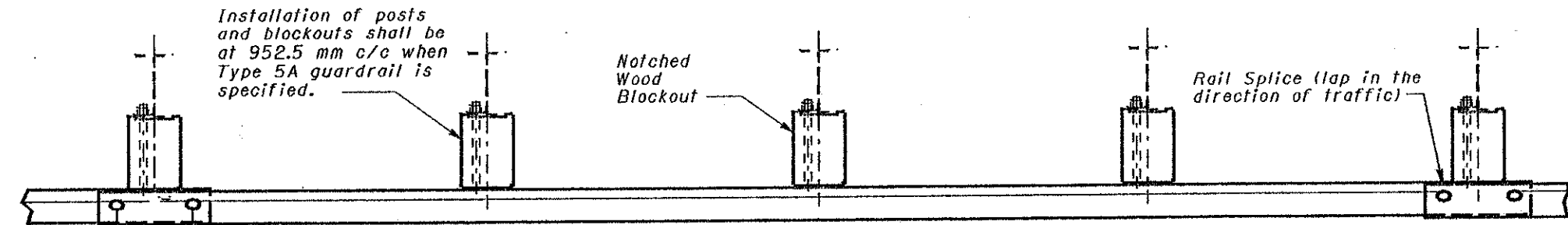
PLAN NOTCHED BLOCKOUTS FOR STEEL POSTS

OHIO DEPARTMENT OF TRANSPORTATION

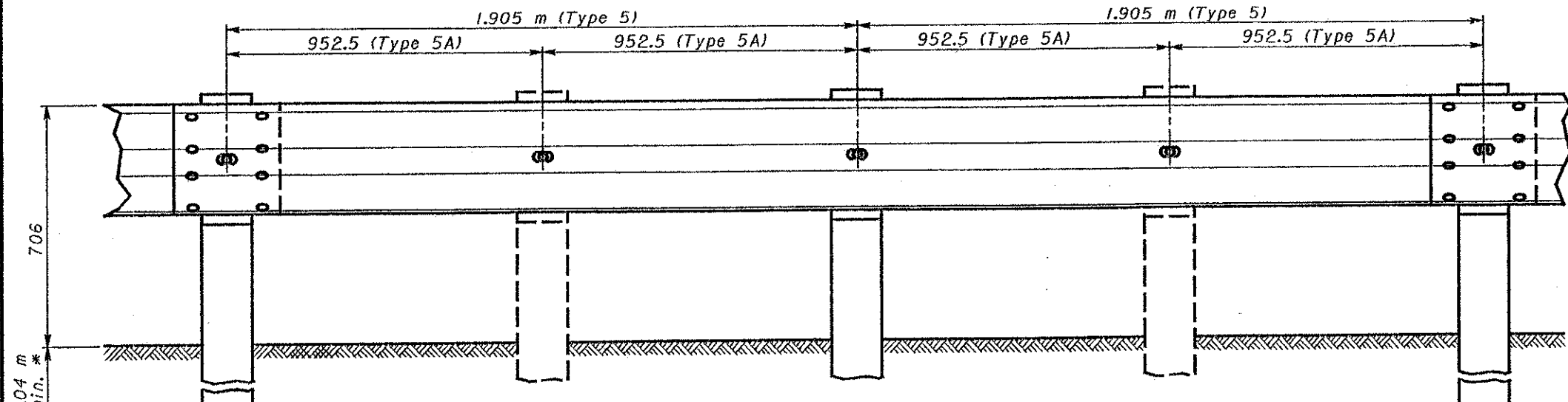
GUARDRAIL TYPE 5 & 5A

STANDARD CONSTRUCTION DRAWING **GR-2.1M**
 APPROVED *[Signature]*

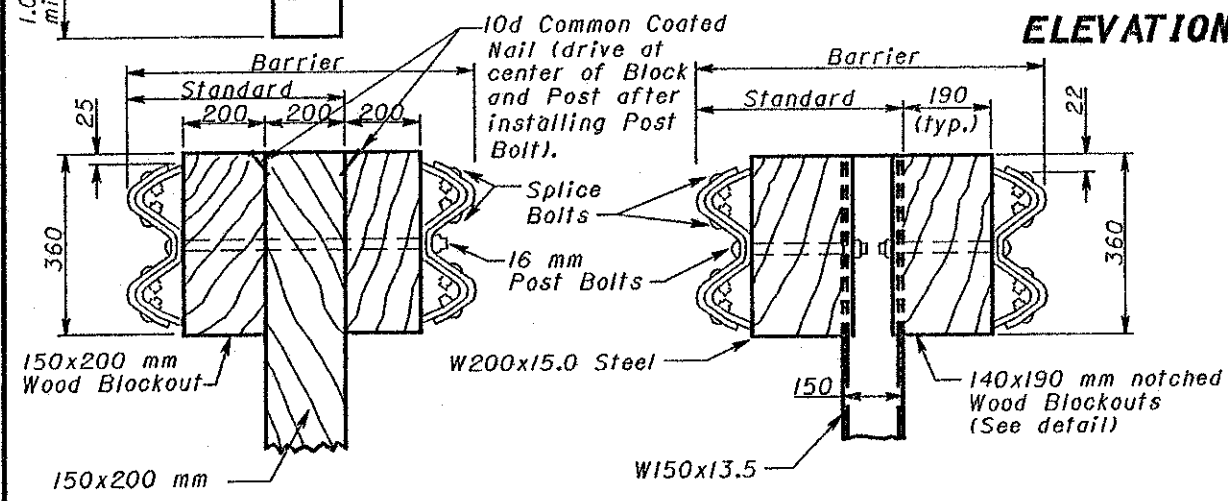
DATE
 11-30-94
 10-21-97



PLAN VIEW (Steel Posts shown)

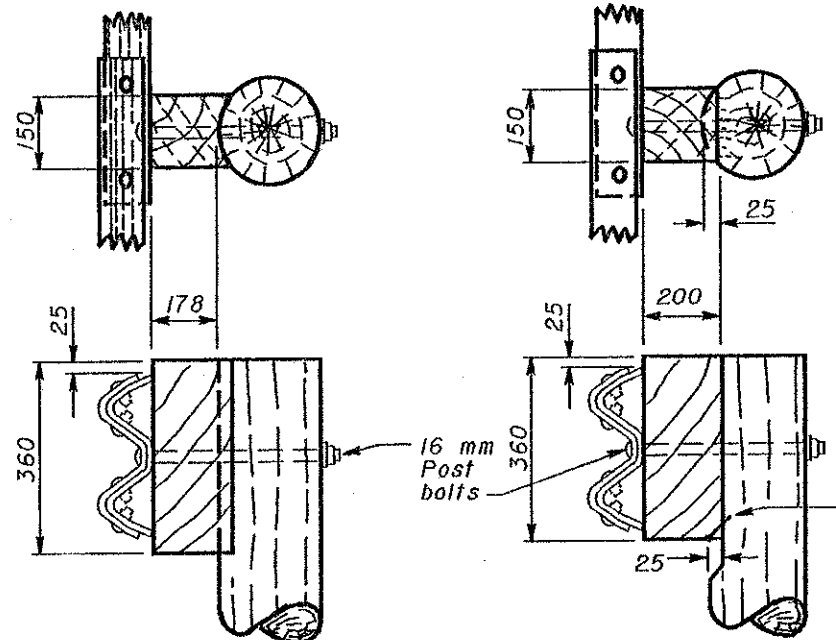


ELEVATION (Wood Posts shown)



SQUARE WOOD POST

STEEL POST



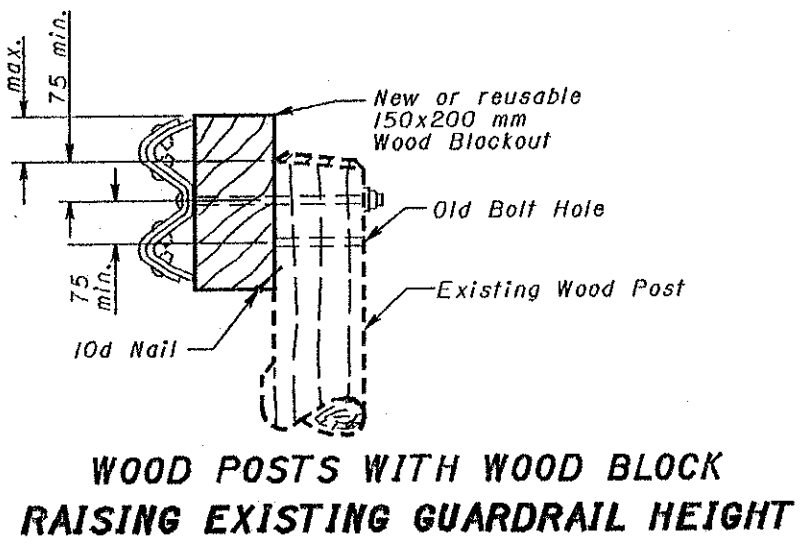
METHOD 1

METHOD 2

Alternate methods of placing the blockouts on round posts may be submitted for consideration and approved by the Engineer.

ROUND WOOD POSTS

All dimensions are in millimeters unless otherwise noted.



WOOD POSTS WITH WOOD BLOCK RAISING EXISTING GUARDRAIL HEIGHT