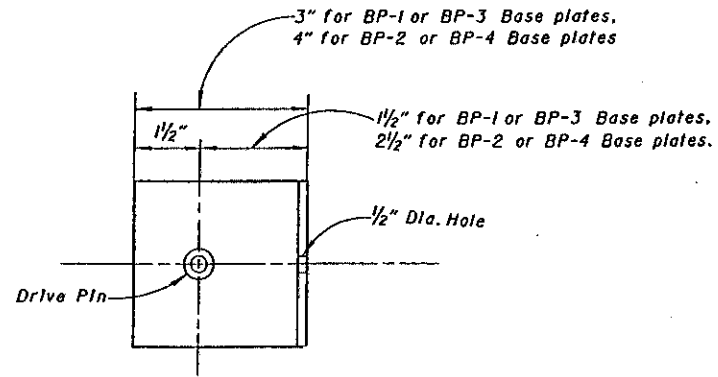


NOTES

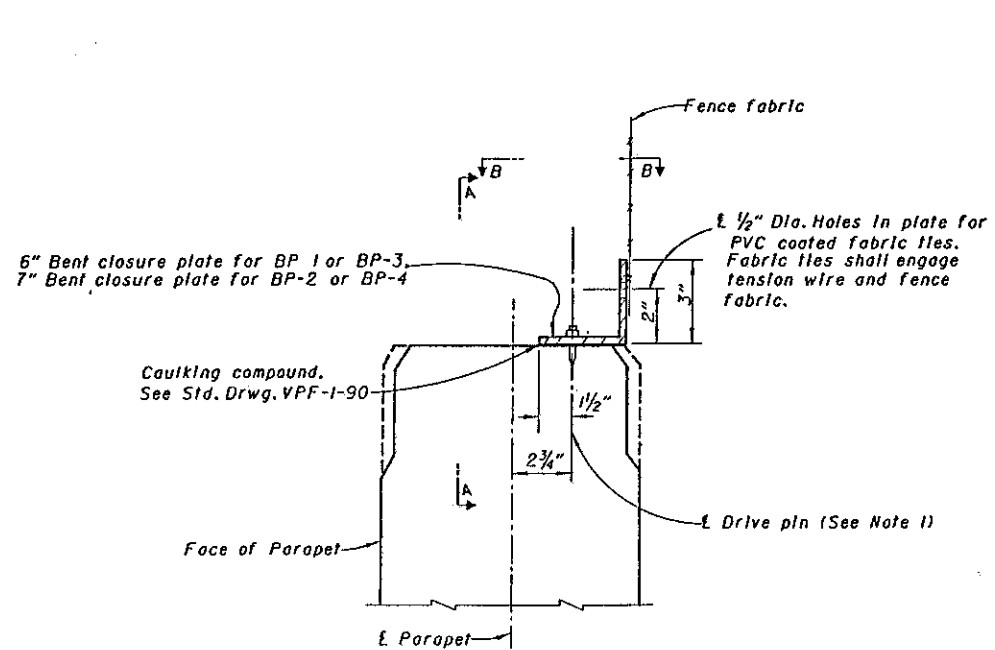
Fencing stainless steel closure plates shall be installed for all post sections PS-1, PS-2 and PS-3. Stainless steel closure plates not required for post section PS-4 due to the bottom rail shown in the PS-4 detail. Any railing details without a bottom rail shall require the installation of the stainless steel closure plate.

① **DRIVE PINS** shall be $1/4" \times 9/64" \times 1/4"$ (Length x Shank Dia. x Head Dia.) flat head drive pins and washers, driven through closure plates into concrete. Steel shall be modified AISI 106X custom tempered to a hardness of 52-56 HRC and zinc plated in accordance with ASTM B633, SCl, Type III or ASTM B695. Powder actuated Fasteners shall be Hilti Fastening systems, ITW Ramset/ Redhead or approved equal.

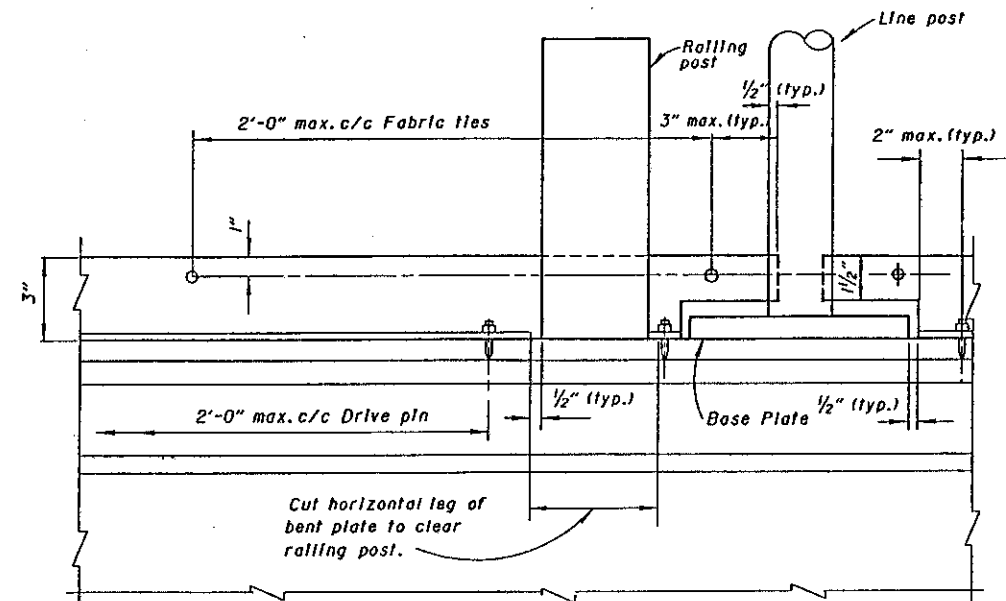
② **STAINLESS STEEL BENT CLOSURE PLATES**, 6" (with base plates BP-1 or BP-3) or 7" (with base plates BP-2 or BP-4) shall be 10 gage ASTM A167, Type 304, mill finish.



**VIEW B-B
SHOWING FENCE CLOSURE PLATE PLAN**



**SECTION THRU PARAPET SHOWING
FENCE CLOSURE PLATE ELEVATION**



VIEW A-A

REVISIONS SHEET 6 ADDED 2-1-92 REV. 3-24-93	STATE OF OHIO DEPARTMENT OF TRANSPORTATION BUREAU OF BRIDGES AND STRUCTURAL DESIGN STANDARD		
	VANDAL PROTECTION FENCE FENCE CLOSURE PLATE DETAILS		
APPROVED: REV. 2-1-92 DATE: 9-26-90 PREPARED: JCR	ENGINEER OF BRIDGES CHECKED: GFJ DRAWN: RLD	REVIEWED: WTF	DRAWING NO. VPF-1-90 SHEET NO. 6 OF 6 SHEETS

VPF192-6-DCM