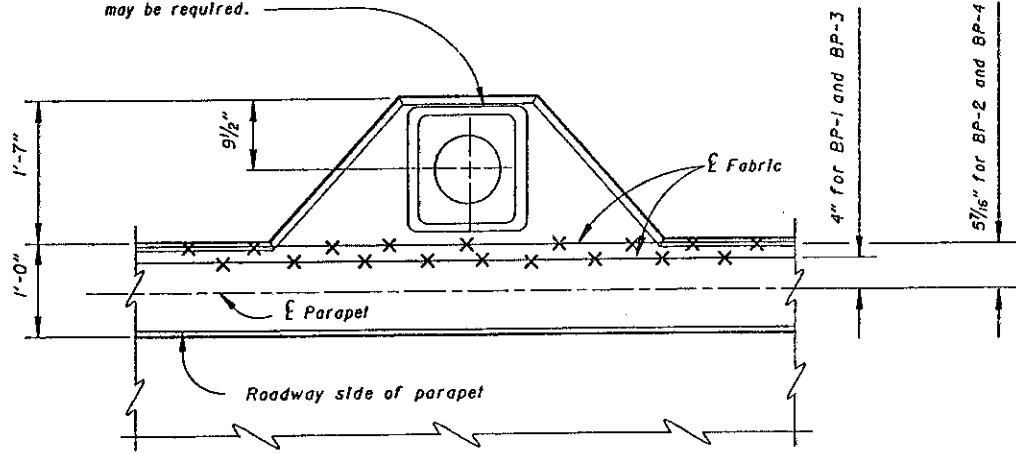


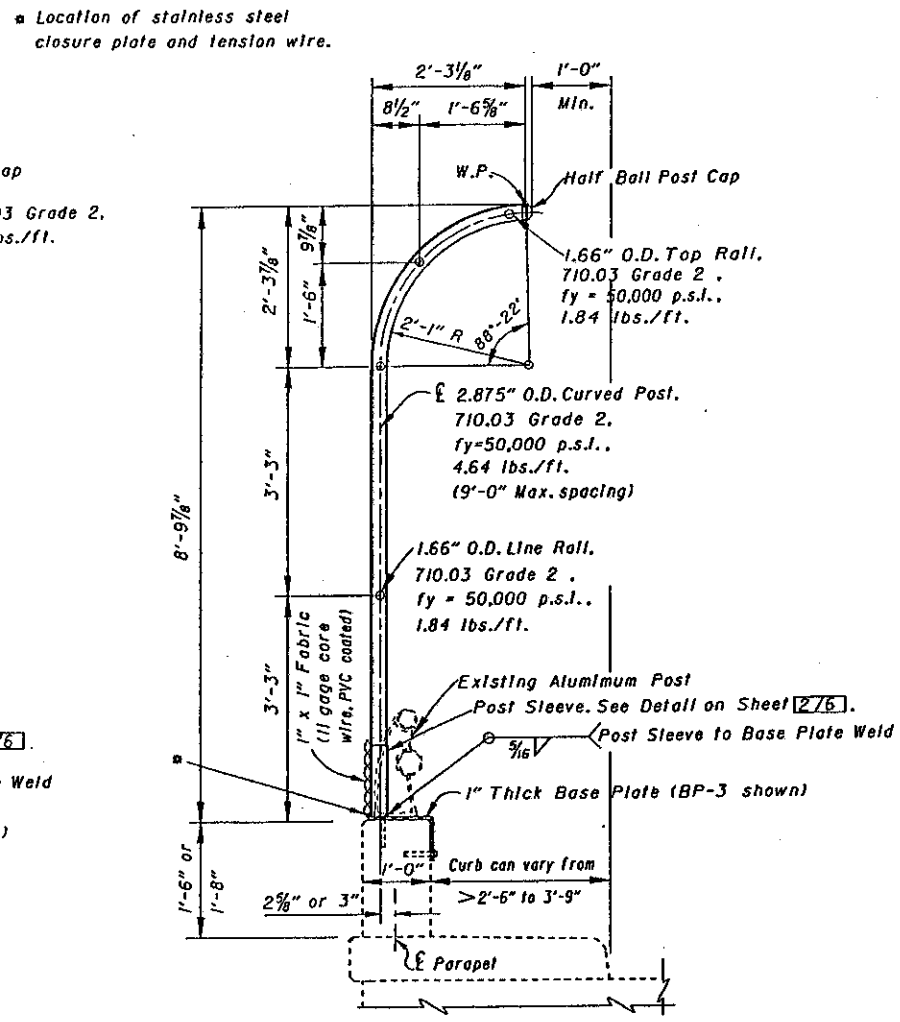
POST SECTION PS-1
(12'-0" CURVED FENCE)

Notes: For Post Sections PS-1 and PS-2, see project plans for sidewalk, parapet and fence post dimensions. Begin fabric at Base Plate. (Maximum gap between fabric and concrete parapet = 1")

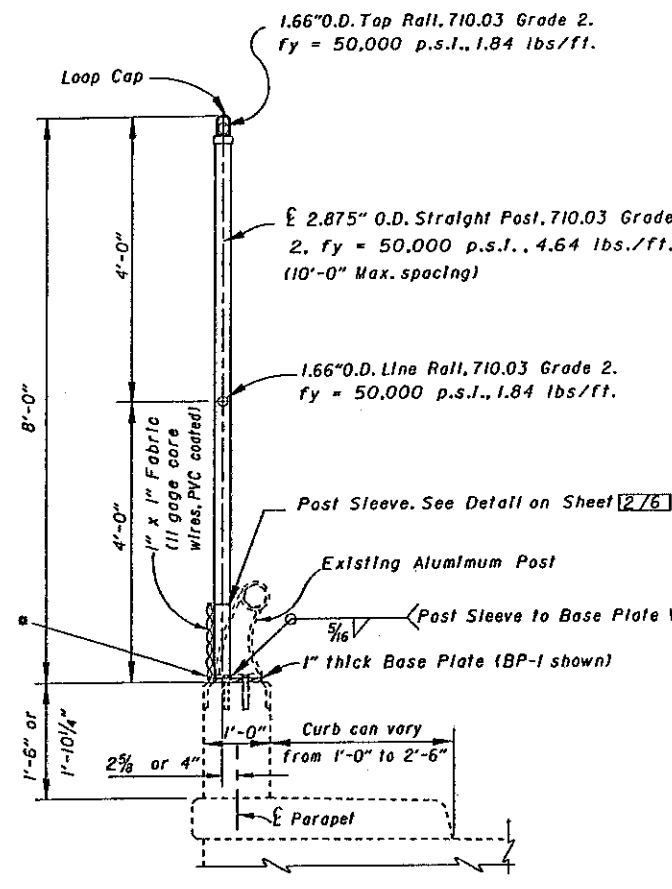
Light pole transformer base, 16" square. For additional details see Std. Drawgs. HL-10J3 and HL-20J4. If base exceeds 16" square, a special fence design may be required.



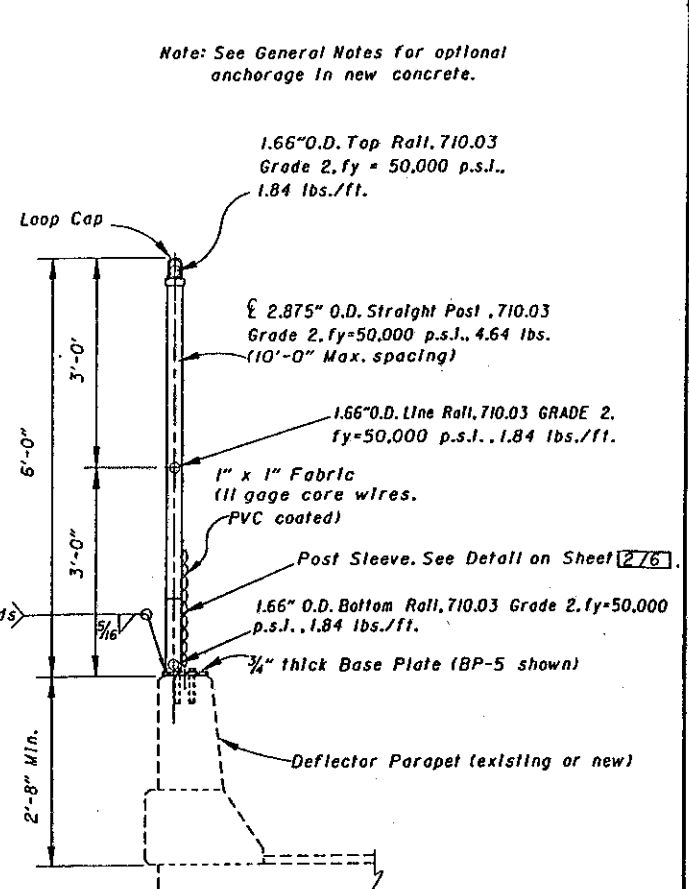
FENCE DETAILS AT TYPICAL LIGHT POLE PILASTER
(EXISTING ALUMINUM RAIL(S) NOT SHOWN)



POST SECTION PS-2
(10'-0" CURVED FENCE)

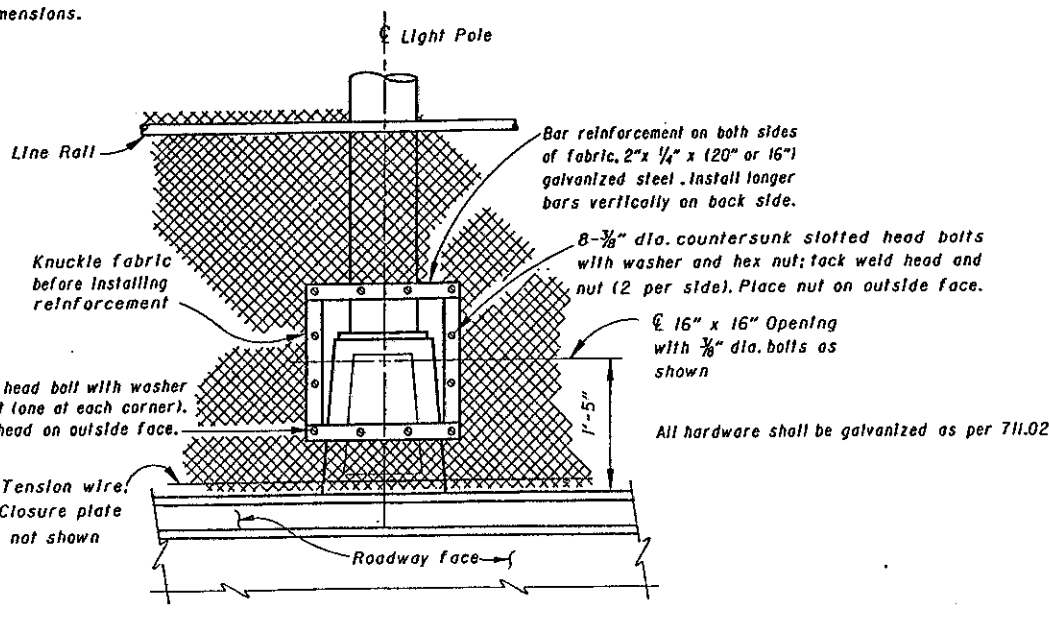


POST SECTION PS-3
(18'-0" STRAIGHT FENCE)

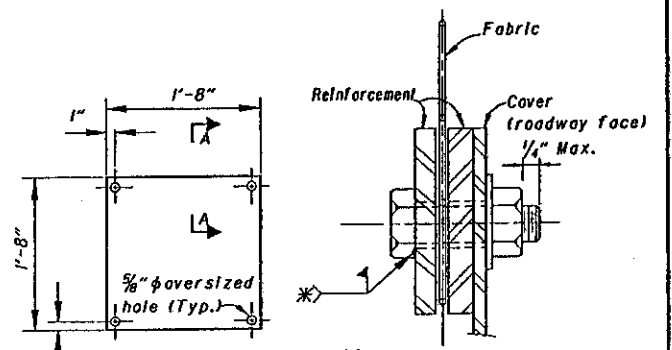


POST SECTION PS-4
(16'-0" STRAIGHT FENCE)

Note: For new parapet without aluminum railing, install bottom roll and locate fence fabric along inside faces of posts.



ACCESS OPENING AT LIGHT POLE
(COVER NOT SHOWN)



SECTION A-A
(Showing corner bolt)
ACCESS COVER

REVISIONS REV. 2-1-92 REV. 3-24-93	STATE OF OHIO DEPARTMENT OF TRANSPORTATION BUREAU OF BRIDGES AND STRUCTURAL DESIGN STANDARD
VANDAL PROTECTION FENCE POST SECTIONS AND DETAILS	
APPROVED: <i>[Signature]</i> DATE: 9-26-90 PREPARED: JCR	ENGINEER OF BRIDGES DRAWN: GFJ CHECKED: RLD REVIEWED: WTF
DRAWING NO. VPF-1-90 SHEET NO. 4 OF 6 SHEETS	