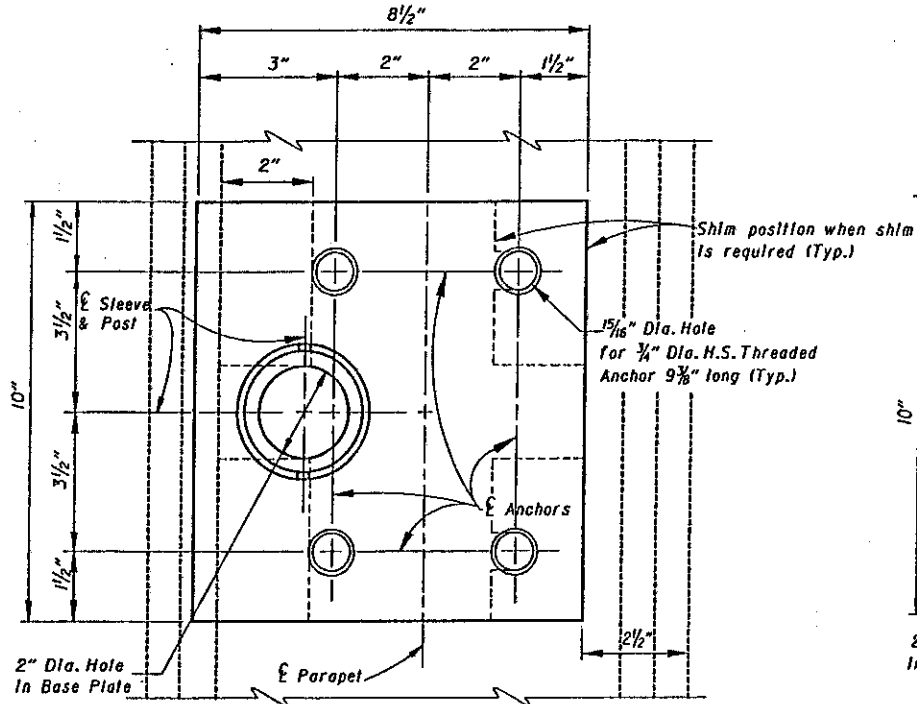
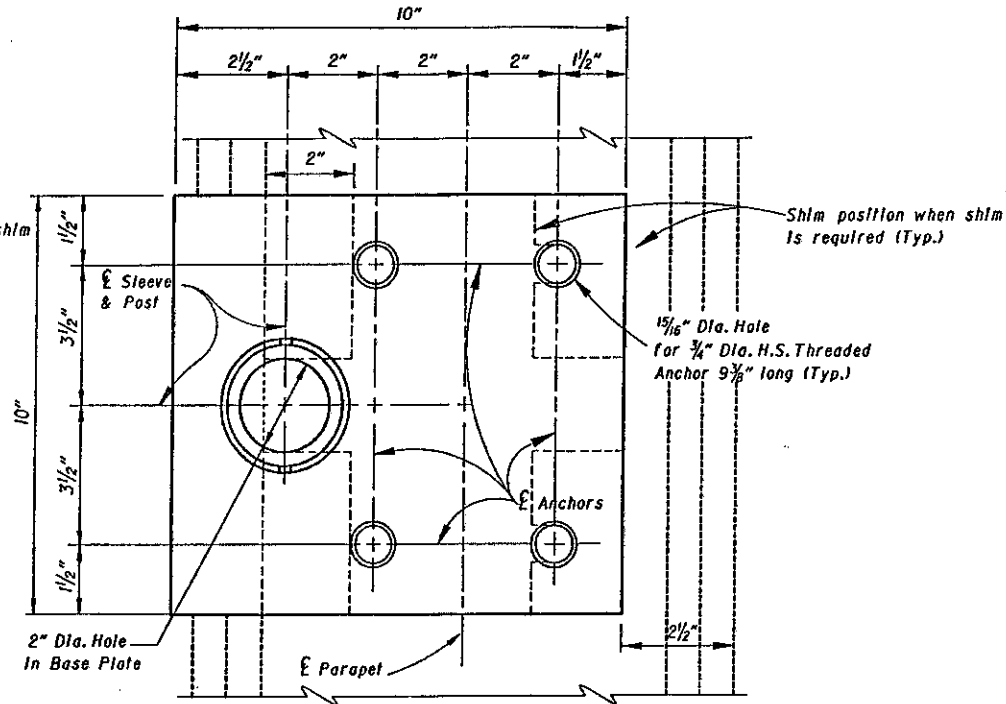


RETROFIT BASE PLATES FOR FENCE POSTS



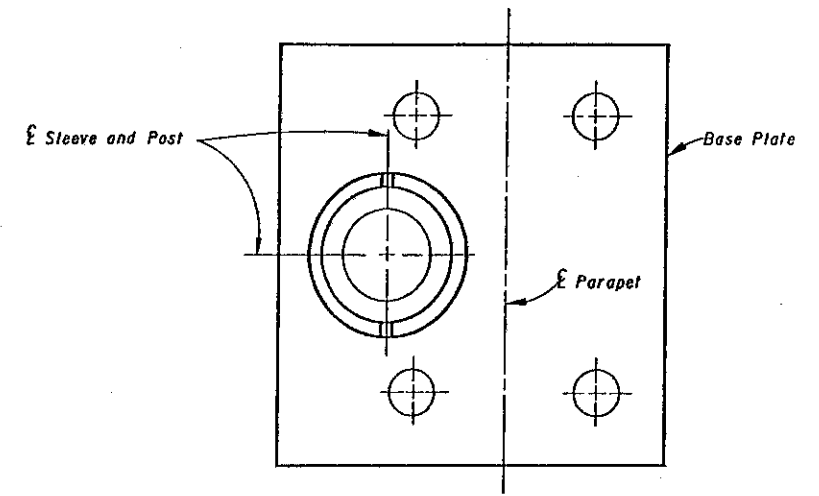
PLAN BP-1

SHIM POSITIONS ARE SHOWN, POST AND SET SCREWS NOT SHOWN



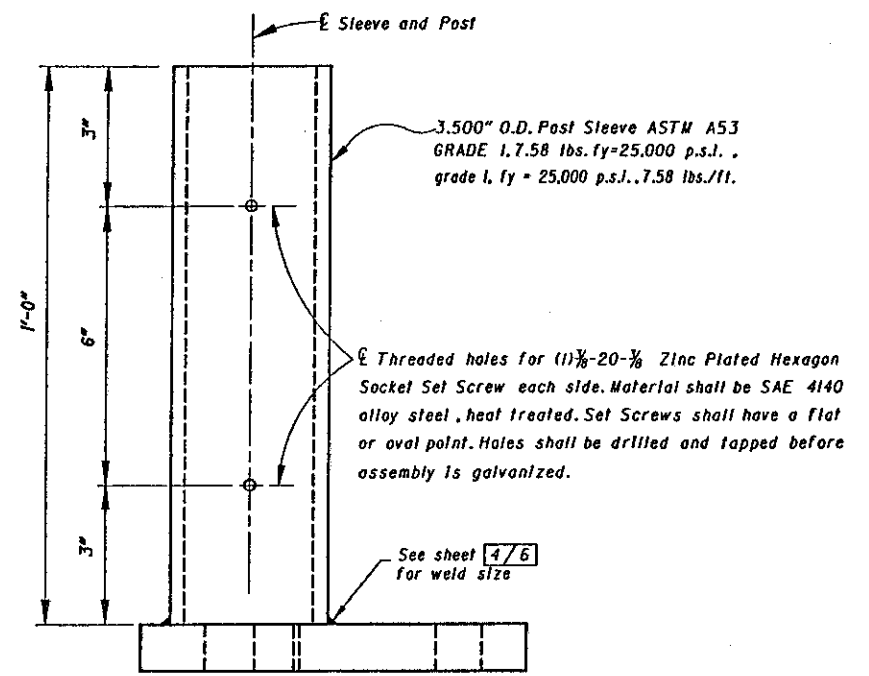
PLAN BP-2

SHIM POSITIONS ARE SHOWN, POST AND SET SCREWS NOT SHOWN



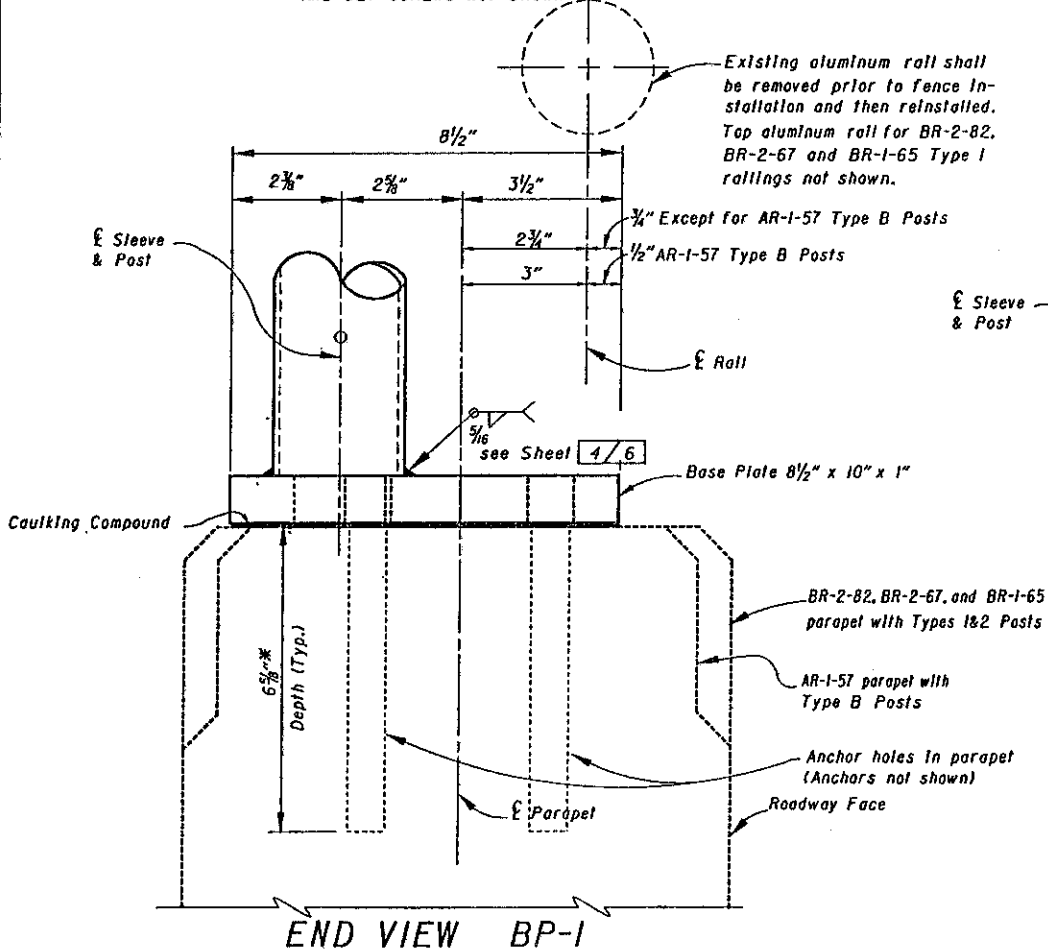
POST SLEEVE PLAN

POST AND SET SCREWS NOT SHOWN



POST SLEEVE ELEVATION

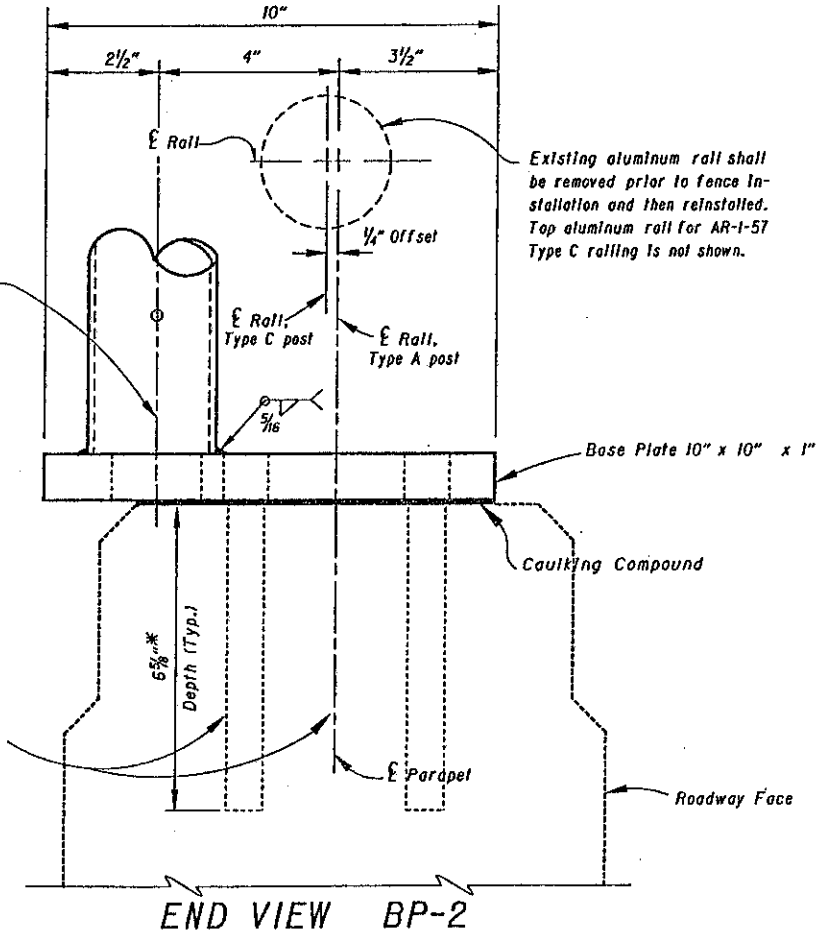
POST AND SET SCREWS NOT SHOWN



END VIEW BP-1

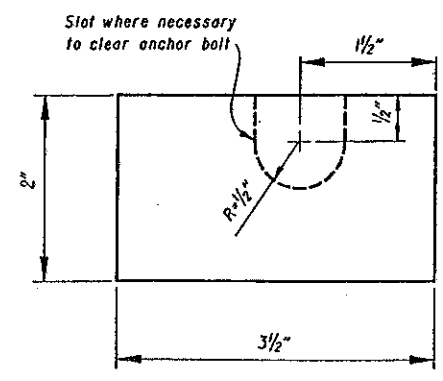
Fence shall be installed by removing and reinstalling the aluminum rail(s). Base Plate shall be used on parapets having aluminum railing as shown on Standard Drawings BR-2-82, BR-2-67, BR-1-65 with Types 1&2 Posts and AR-1-57 with Type B Posts. Base Plate requires a sleeve. See Post Sleeve Detail on this sheet.

* or as recommended by the fastener manufacturer.



END VIEW BP-2

Fence shall be installed by removing and reinstalling the aluminum rail(s). Base Plate shall be used on parapets having aluminum railing as shown on Standard Drawing AR-1-57 with Types A and C posts. Base Plate requires a sleeve. See Post Sleeve Details on this sheet.



BASE PLATE SHIMS

1/16, 1/8 and 1/4 inch thick

REVISIONS		STATE OF OHIO	
REV. 2-1-92		DEPARTMENT OF TRANSPORTATION	
REV. 3-24-93		BUREAU OF BRIDGES AND STRUCTURAL DESIGN	
		STANDARD	
VANDAL PROTECTION FENCE RETROFIT BASE PLATES WHEN RAILS ARE REMOVED AND REINSTALLED			
APPROVED:	<i>[Signature]</i>	DRAWING NO.	VPF-1-90
DATE: 9-26-90	ENGINEER OF BRIDGES		
PREPARED	DRAWN	CHECKED	REVIEWED
JCR	GFJ	RLD	WTF
			SHEET NO. 2 OF 6 SHEETS