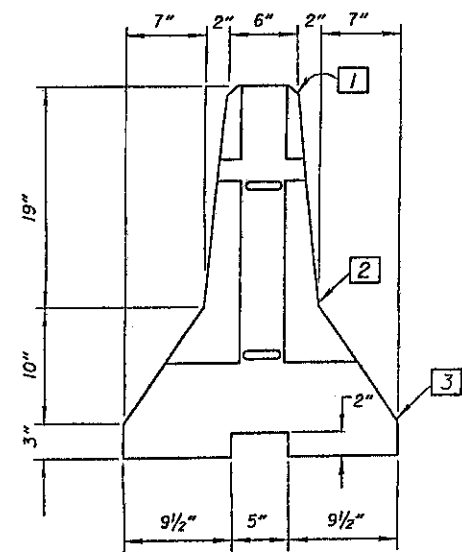
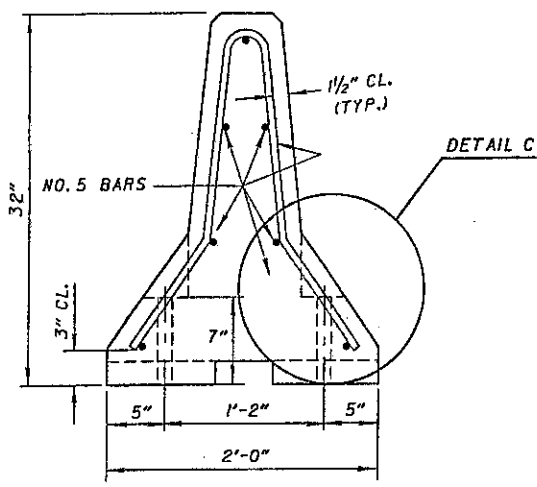


ELEVATION

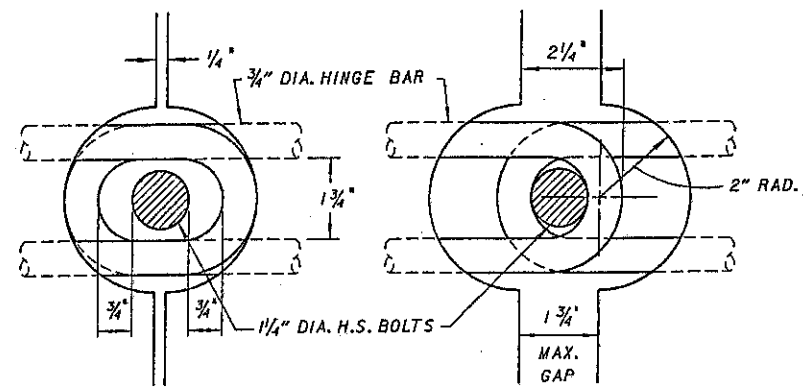


VIEW A-A



SECTION B-B

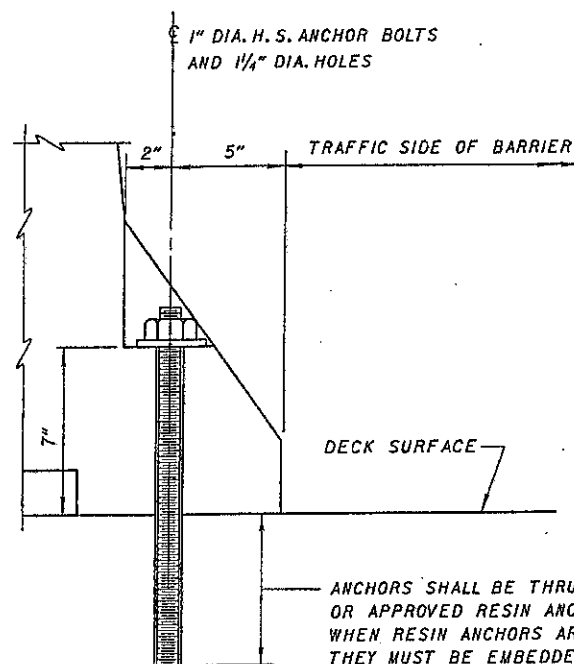
- 1 1" RADIUS OR 3/4" CHAMFER ALL TOP AND END CORNERS
- 2 PERMISSIBLE 10" RADIUS
- 3 PERMISSIBLE 1" RADIUS



1 CLOSED JOINT 2 OPEN JOINT

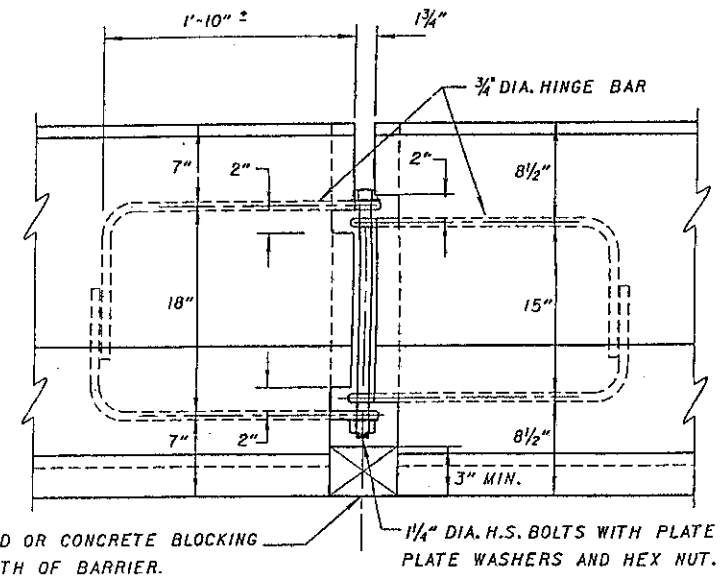
JOINT CONNECTION DETAILS

- 1 BARRIERS SHALL INITIALLY BE PLACED CLOSER TOGETHER SO BOLTS CAN BE EASILY INSERT-THROUGH HINGE BAR LOOPS.
- 2 BARRIER JOINTS SHALL BE FULLY OPEN BEFORE NUT IS TIGHTENED ONTO BOLT AND OPENING IS SNUGLY BLOCKED.



DETAIL C

ANCHORS SHALL BE THRU BOLTS OR APPROVED RESIN ANCHORS. WHEN RESIN ANCHORS ARE USED, THEY MUST BE EMBEDDED A MINIMUM OF 6 1/2" INTO FIRM CONCRETE. WHEN NO LONGER NEEDED, ANCHORS SHALL BE REMOVED AS DIRECTED BY THE ENGINEER. WHERE DECK IS TO REMAIN, HOLES SHALL BE FILLED WITH AN EPOXY NON-SHRINK GROUT.



DETAIL AT HINGED CONNECTION

GENERAL NOTES

HARDWARE - BOLTS, DECK ANCHORING BOLTS AND ALL NUTS AND WASHERS SHALL CONFORM TO ASTM A325. THEY SHALL BE GALVANIZED IN ACCORDANCE WITH CMS 711.02.

REINFORCING STEEL - ALL REINFORCING STEEL (INCLUDING THE 3/4" DIA. HINGE BARS) SHALL MEET THE REQUIREMENTS OF CMS 509.02. HINGE BARS SHALL BE GALVANIZED AFTER FABRICATION.

CONCRETE - PORTABLE CONCRETE BARRIER SEGMENTS SHALL BE CONSTRUCTED OF CLASS C CONCRETE WITH A MINIMUM COMPRESSIVE STRESS OF 4,000 PSI.

BRIDGE DECK SURFACE PREPARATION: THE SURFACE AREA ON WHICH THE PORTABLE CONCRETE BARRIERS WILL REST SHALL BE CLEAR OF ALL LOOSE SAND, GRAVEL, DIRT AND DEBRIS.

ANY IRREGULARITIES IN THE BRIDGE DECK AREAS, UNLESS JUDGED BY THE ENGINEER TO BE INCONSEQUENTIAL, SHALL BE LEVELED WITH GROUT AND/OR ASPHALT.

ASPHALT ROLL ROOFING SHALL BE PLACED ON THOSE BRIDGE DECK AREAS, AS JUDGED BY THE ENGINEER, TO HAVE A SURFACE ROUGHNESS WHICH WOULD INHIBIT FRICTION CONTACT BETWEEN BARRIER SEGMENTS AND DECK.

MARKS - ALL BARRIER SEGMENTS SHALL BE CLEARLY MARKED. WHERE "XX" IS THE YEAR IN WHICH THE BARRIER WAS CAST. EACH SEGMENT SHALL ALSO HAVE, ON ITS TOP SURFACE, A UNIQUE IDENTIFICATION OF THE MANUFACTURER AND, SOMEWHERE ON THE BARRIER, THE DAY AND MONTH THE BARRIER WAS CAST.

ALL MARKINGS SHALL BE PERMANENTLY IMPRINTED ON THE BARRIER USING A MINIMUM OF 2" HIGH LETTERING.

HANDLING DEVICES MAY BE USED IN LIEU OF THE LIFTING SLOTS FOR MOVING THE BARRIER. THEY MAY BE OF ANY DESIGN SUFFICIENT TO HANDLE THE WEIGHT OF THE SECTION BEING LIFTED. NO REMAINING HANDLING DEVICES SHALL PROTRUDE ABOVE THE BARRIER SURFACE.

THE PROJECT PLANS SHALL INDICATE THE NUMBER OF ANCHORS PER SEGMENT, AS WELL AS THE BARRIER LOCATION ON THE BRIDGE DECK, AND ANY SPECIAL ANCHORAGE REQUIREMENTS.

REVISIONS	STATE OF OHIO DEPARTMENT OF TRANSPORTATION BUREAU OF BRIDGES AND STRUCTURAL DESIGN			
	STANDARD PORTABLE CONCRETE BARRIER DETAILS			
	APPROVED:	DATE: 4-21-92		DRAWING NO. PCB-91
	PREPARED	DRAWN	CHECKED	REVIEWED
	AJM	GFJ	WTF	LMW