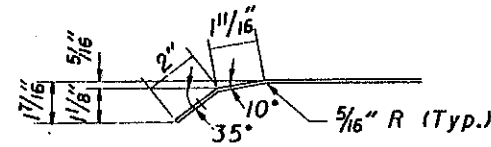
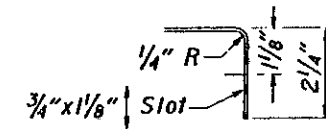


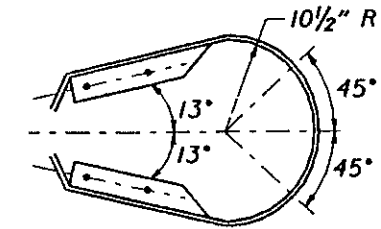
DIAPHRAGM PLATE DETAIL
(2 Required each Terminal)



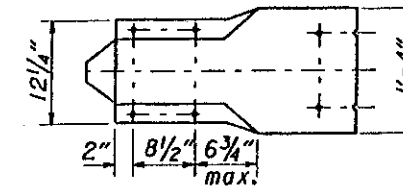
DIAPHRAGM PLATE DETAIL
VIEW A-A



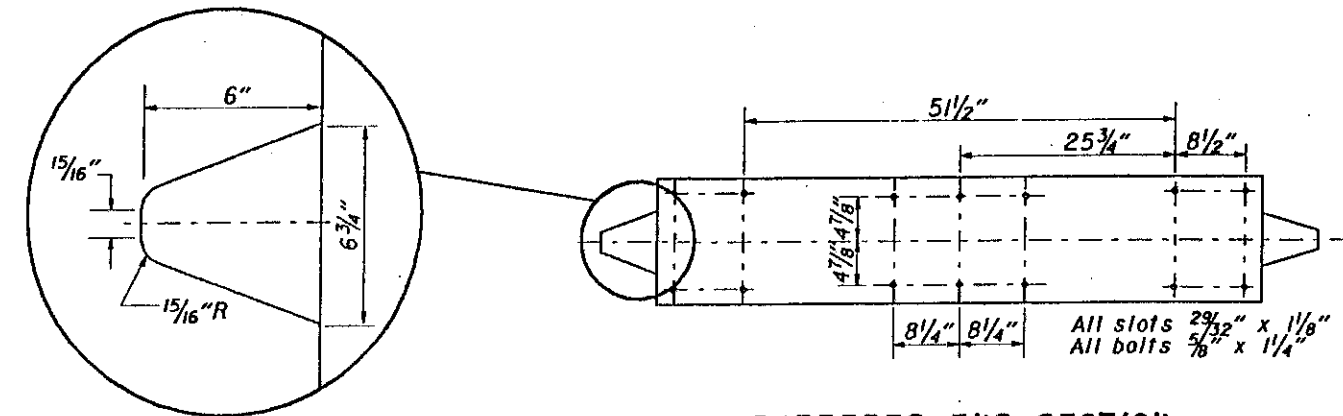
DIAPHRAGM PLATE DETAIL
VIEW B-B



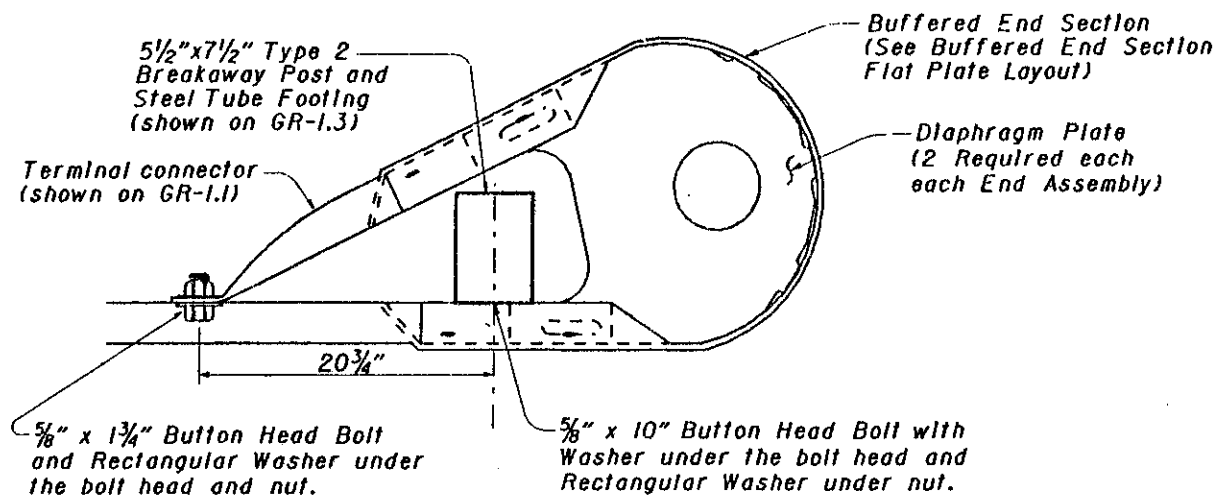
BUFFERED END SECTION
PLAN



BUFFERED END SECTION
ELEVATION



BUFFERED END SECTION
FLAT PLATE LAYOUT



BUFFERED END ASSEMBLY

NOTES

FOR COMPLETE Installation and assembly details, see Std. Const. Dwg. GR-4.3.

ALL STRUCTURAL STEEL shall be galvanized as per 711.02.

FOR ADDITIONAL DETAILS, see Standard Construction Drawings GR-1.1, 1.2 and 1.3.

BUREAU OF LOCATION AND DESIGN
OHIO DEPARTMENT OF TRANSPORTATION

TYPE B ANCHOR
ASSEMBLY
DETAILS

DATE
2-21-92

STANDARD
CONSTRUCTION
DRAWING
APPROVED R. K. Nehman ENGR., L & D

GR-4.4