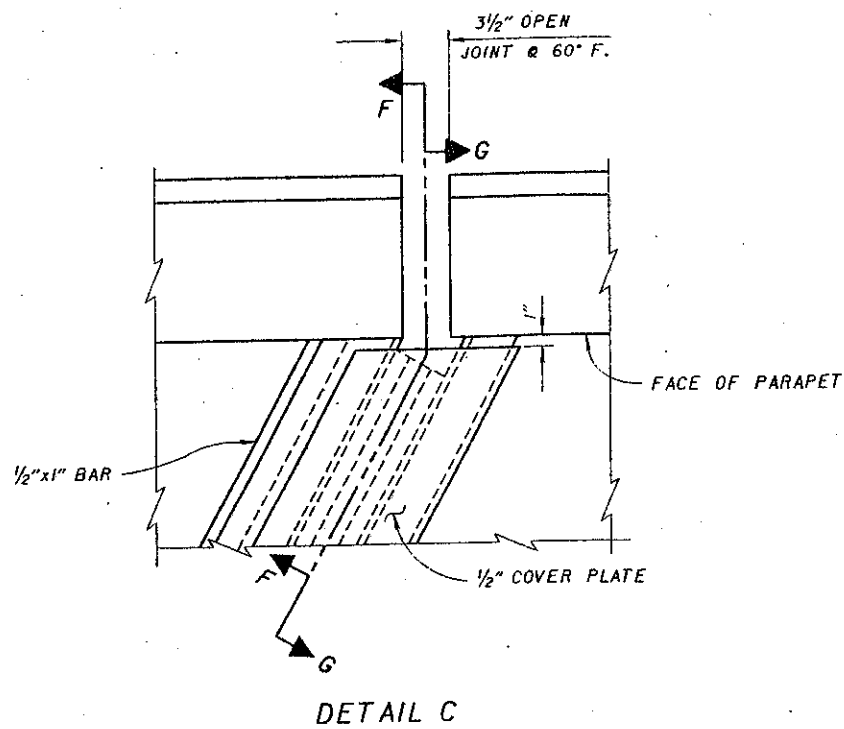
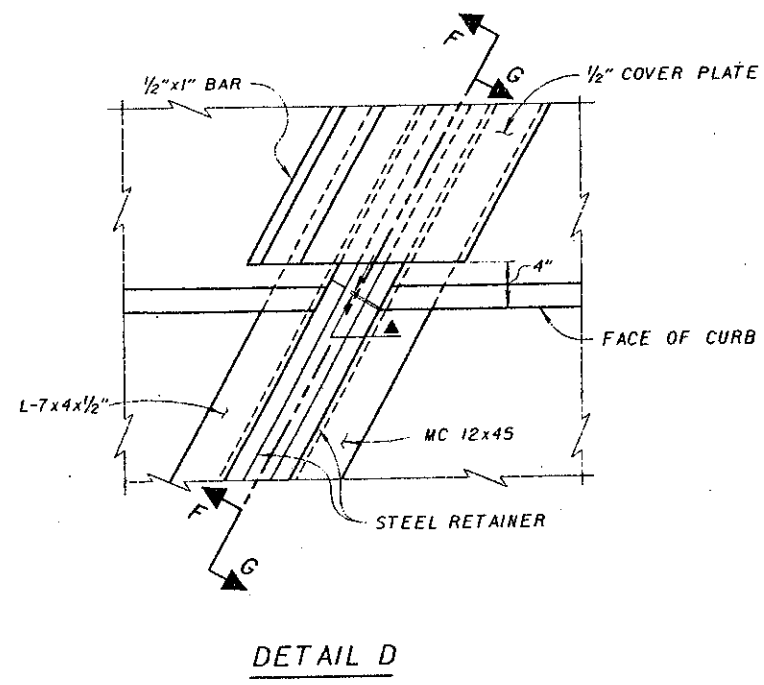


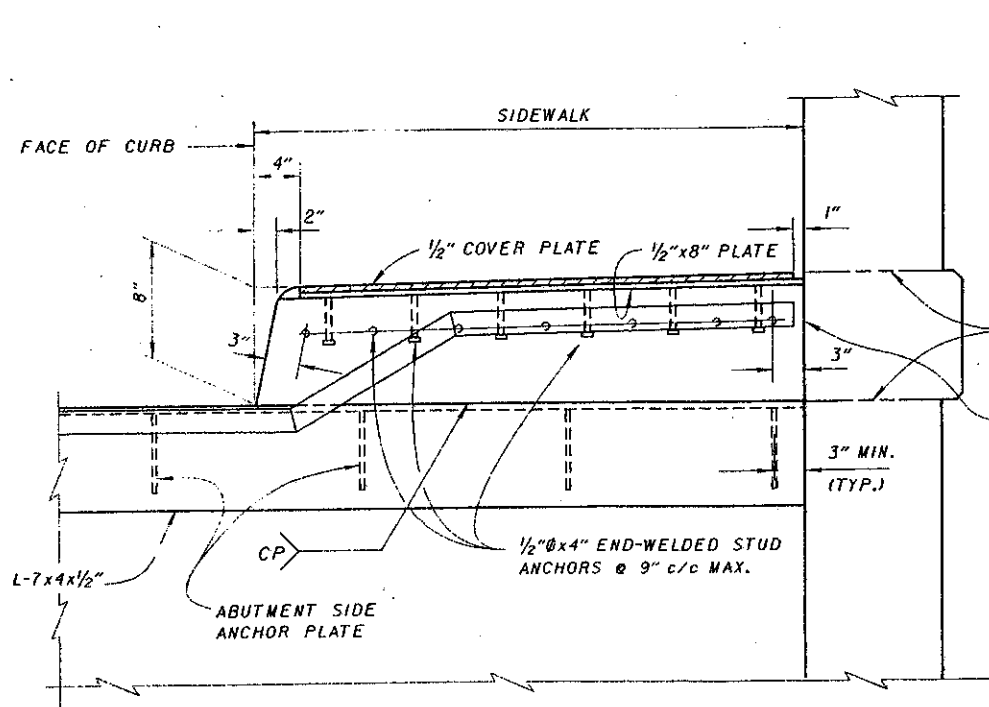
PART PLAN AT ABUTMENT
FOR BRIDGES WITH SIDEWALK
PARAPET RAILING



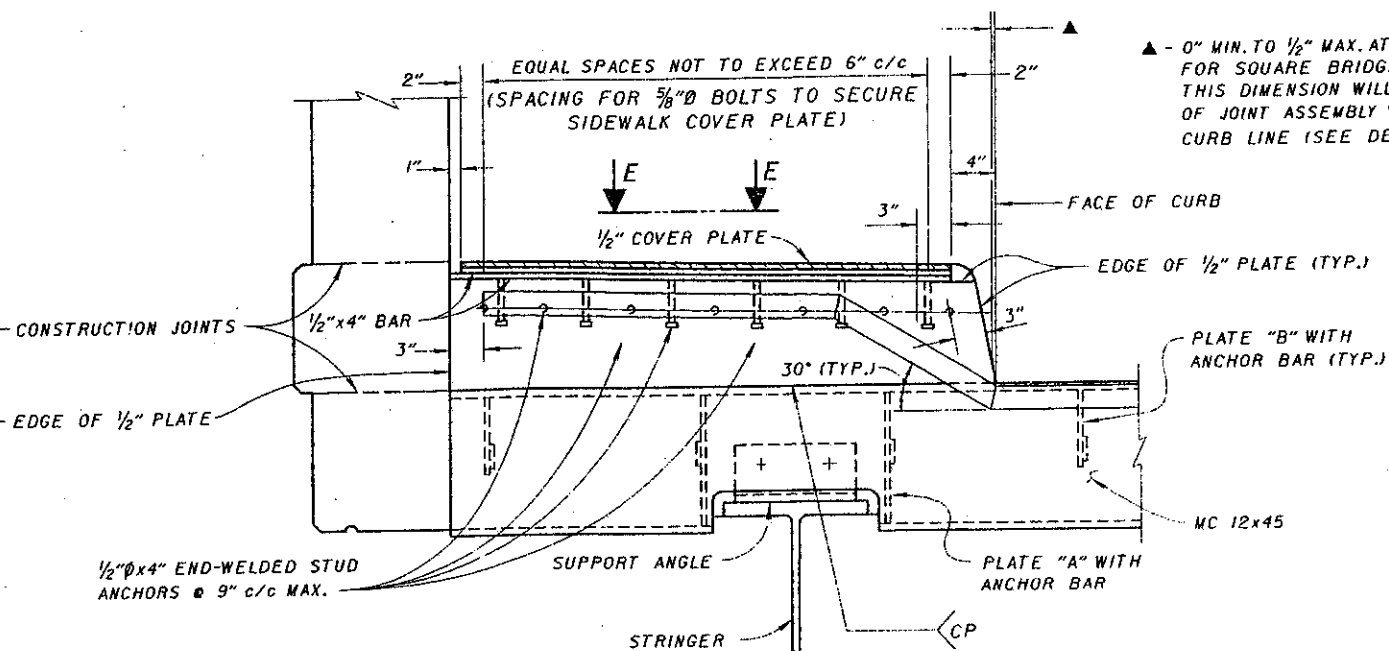
DETAIL C



DETAIL D



SECTION F-F



SECTION G-G

▲ - 0" MIN. TO 1/2" MAX. AT BREAKPOINT IN RETAINER FOR SQUARE BRIDGES. ON SKEWED BRIDGES THIS DIMENSION WILL ONLY APPLY TO THE SIDE OF JOINT ASSEMBLY WHICH IS NEAREST TO THE CURB LINE (SEE DETAIL "D" ABOVE).

FOR VIEW E-E SEE SHEET 4 / 5.

FOR SECTION X-X SEE SHEET 2 / 5.

FOR SECTION Y-Y SEE SHEET 4 / 5.

DESIGN AGENCY BUREAU OF BRIDGES AND STRUCTURAL DESIGN
STATE OF OHIO DEPARTMENT OF TRANSPORTATION <i>[Signature]</i> ENGINEER OF BRIDGES
DATE 01-20-94
REVISIONS 11-12-93 2-14-97
DESIGNED AJM CF/AJM
CHECKED JS EXJ-4-BT
REVIEWED WTL/LMW
STANDARD STRIP SEAL EXPANSION JOINTS STEEL STRINGER STRUCTURES
3 / 5