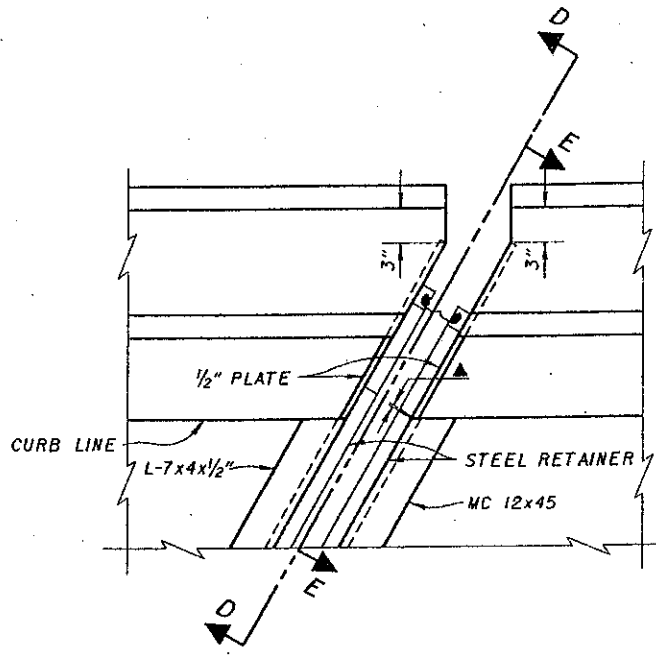


PLAN AT ABUTMENT
FOR SKEWED BRIDGES (OVER 15')
WITH DEFLECTOR PARAPET RAILING



DETAIL B

JOINTS IN END DAM ARMOR: TRANSVERSE JOINTS IN ARMOR SHALL HAVE COMPLETE PENETRATION BUTT WELDS. BUTT WELDS IN CONTACT WITH THE STEEL RETAINERS SHALL BE GROUND FLUSH.

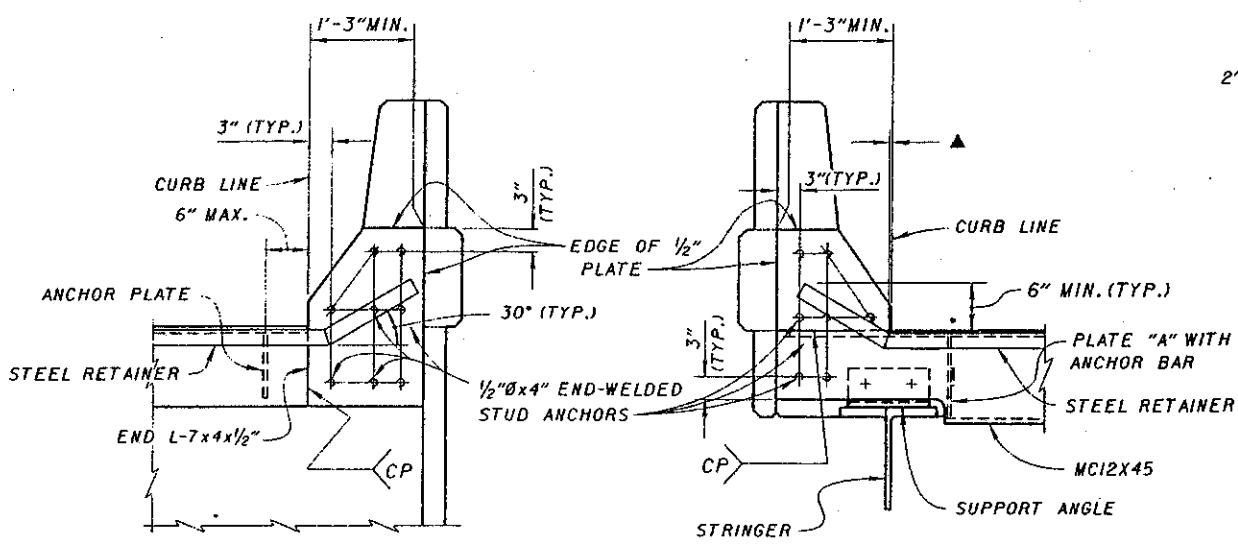
THE MINIMUM LENGTH OF RETAINER SHALL BE 6'-0" BETWEEN JOINTS UNLESS OTHERWISE SHOWN.

JOINTS IN RETAINERS SHALL HAVE WATERTIGHT, PARTIAL PENETRATION BUTT WELDS COMPLETELY AROUND THE OUTER PERIPHERY OF THE ABUTTING SURFACES. WELDS IN CONTACT WITH THE SEAL GLAND AND/OR JOINT ARMOR SHALL BE GROUND SMOOTH.

PROJECT PLANS SHALL LIST DIMENSION "A" FOR TEMPERATURES BETWEEN 30°F AND 90°F IN 10 DEGREE INCREMENTS.

JOINT SEAL GLANDS AT FIXED BEARINGS SHALL BE THE SAME SIZE AS AT THE EXPANSION BEARINGS WITH A DIMENSION "A" OF 2" AT ANY AMBIENT TEMPERATURE.

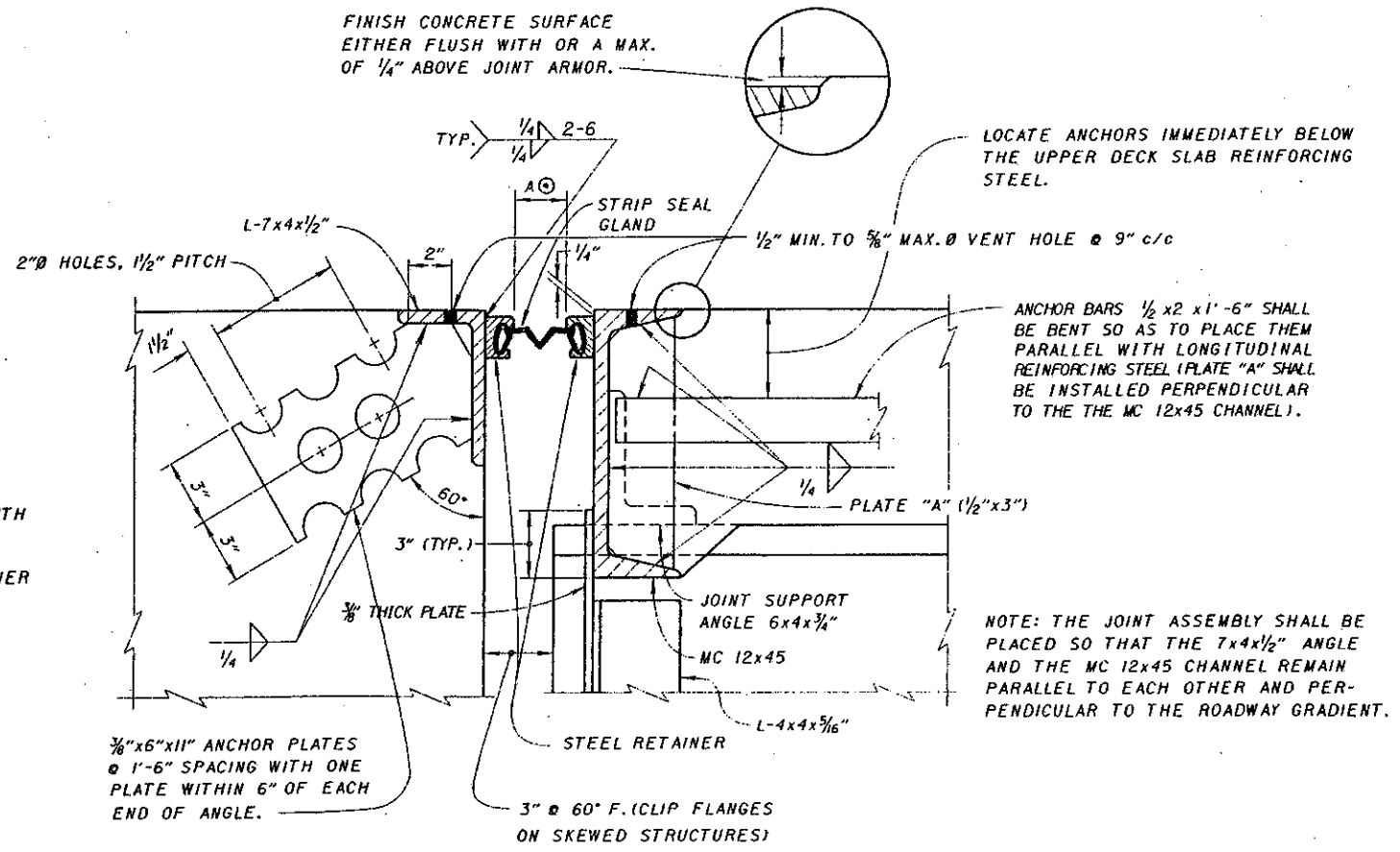
CONCRETE UNDER JOINT ARMOR SHALL BE HAND PLACED AND VIBRATED TO ACHIEVE SOLID FILLING.



SECTION D-D

SECTION E-E

▲ - 0" MIN. TO 1/2" MAX. AT BREAKPOINT IN RETAINER FOR SQUARE BRIDGES. ON SKEWED BRIDGES THIS DIMENSION WILL ONLY APPLY TO THE SIDE OF JOINT ASSEMBLY WHICH IS NEAREST TO THE CURB LINE (SEE DETAIL "B" ABOVE).



SECTION X-X

⊙ - DIMENSION "A" SHALL BE DETERMINED FROM TABLE "B", TABLE "C" OR TABLE "D" ON SHEET 5/5.

DESIGN AGENCY	BUREAU OF BRIDGES AND STRUCTURAL DESIGN
STATE OF OHIO DEPARTMENT OF TRANSPORTATION	DATE
ENGINEER OF BRIDGES	01-20-94
REVIEWED	WTL/LMW
CHECKED	JS
DESIGNED	AJM
STANDARD	6/1/AJM
REVISIONS	11-12-93 2-14-97
STRIP SEAL EXPANSION JOINTS	EXJ-4-BT
STEEL STRINGER STRUCTURES	
2	5