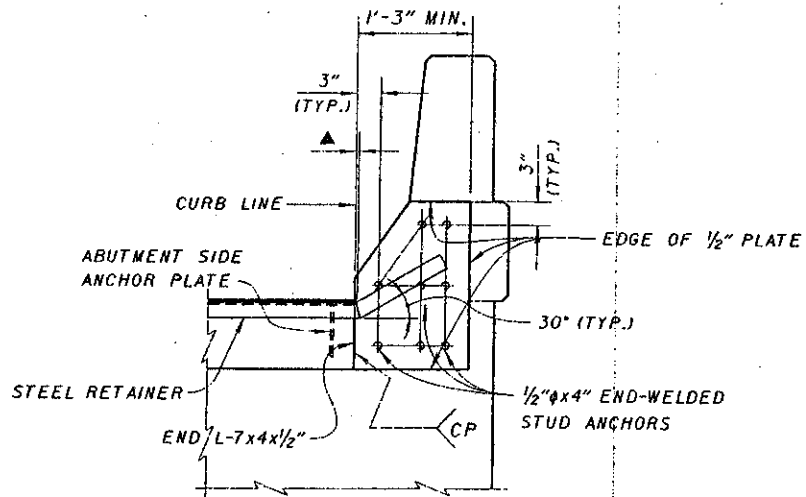
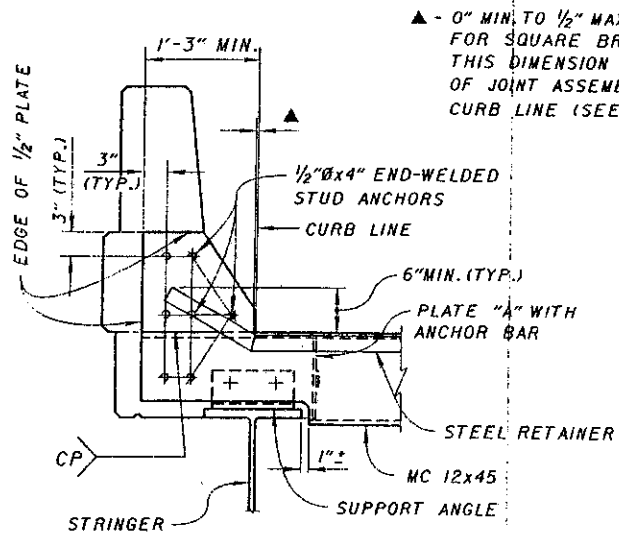


**PART PLAN AT ABUTMENT**  
FOR SQUARE OR LOW SKEWED (15° OR LESS)  
BRIDGES WITH DEFLECTOR PARAPET RAILING

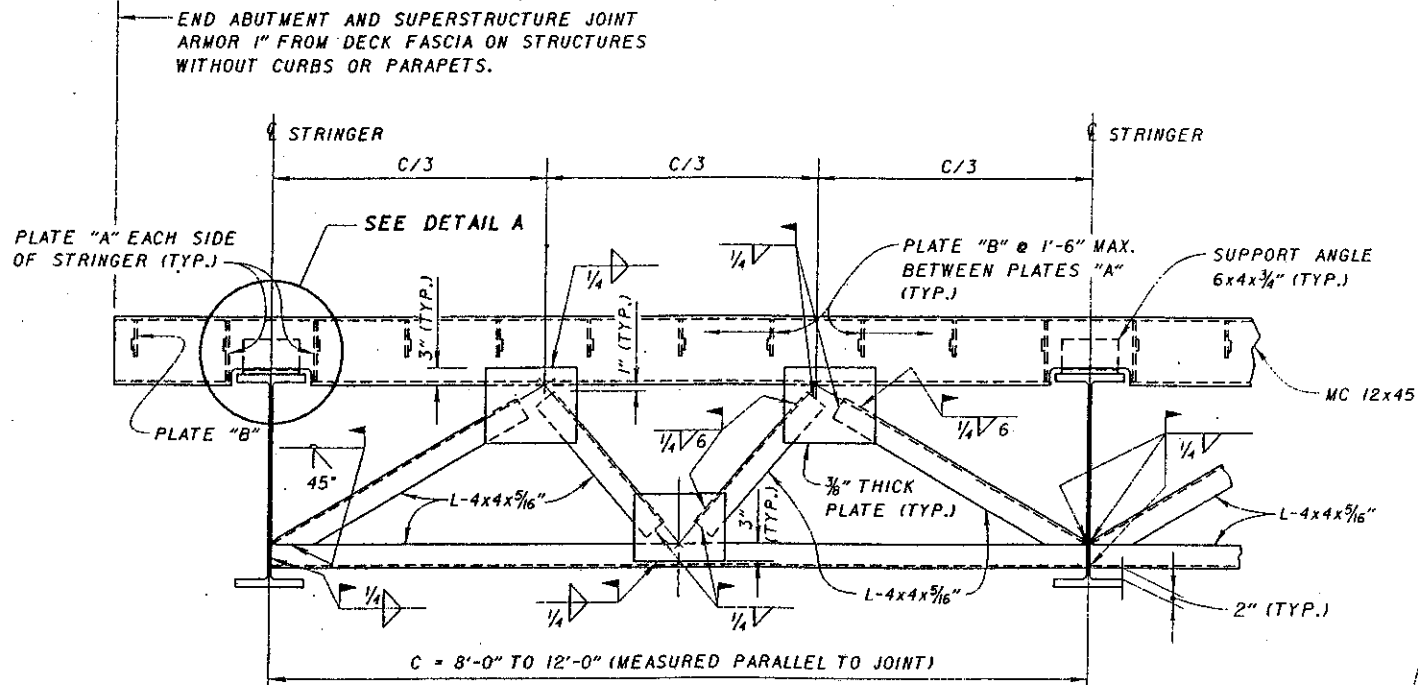


**SECTION A-A**

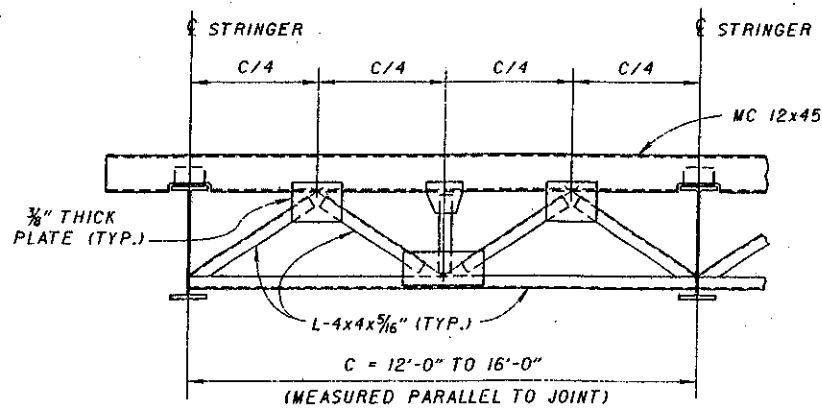
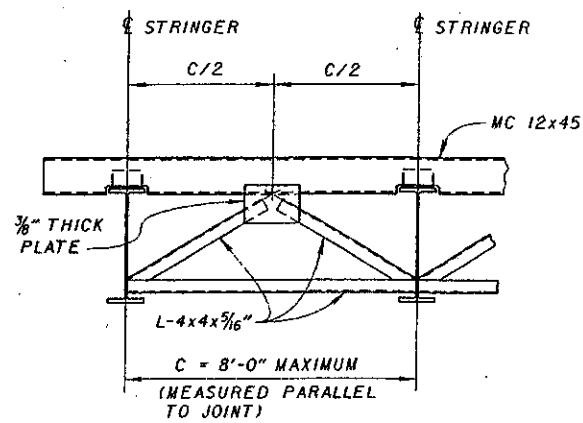


**SECTION B-B**

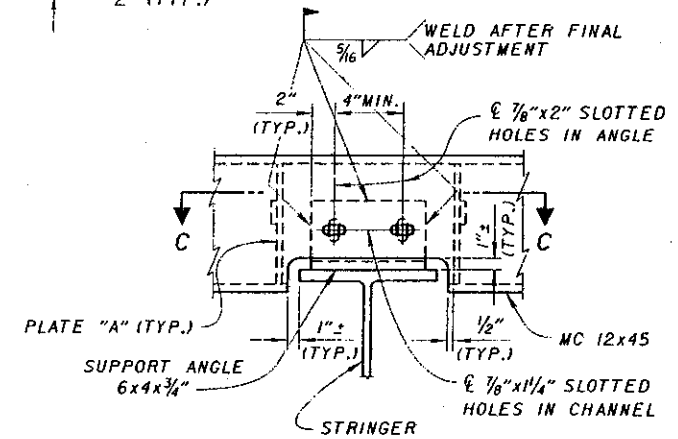
▲ - 0" MIN. TO 1/2" MAX. AT BREAKPOINT IN RETAINER FOR SQUARE BRIDGES. ON SKEWED BRIDGES THIS DIMENSION WILL ONLY APPLY TO THE SIDE OF JOINT ASSEMBLY WHICH IS NEAREST TO THE CURB LINE (SEE SHEET 2/5).



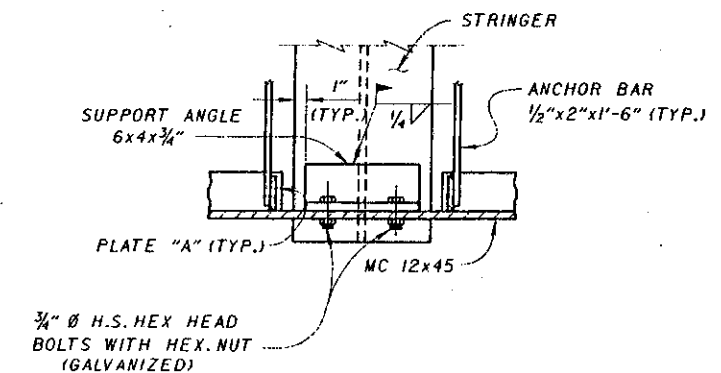
NOTE: THE WELDING SYMBOLS SHOWN ABOVE ARE TYPICAL FOR ALL SIMILAR LOCATIONS OF THIS END CROSSFRAME. ALSO, THE WELDED ATTACHMENT DETAILS AND TYPICAL DIMENSIONS SHOWN ARE TYPICAL FOR THE CROSSFRAMES DETAILED BELOW.



**END CROSSFRAME DETAILS**  
STEEL RETAINERS ARE NOT SHOWN



**DETAIL A**



**SECTION C-C**

NOTE: THE JOINT ARMOR SHOULD NOT BE PAINTED, EXCEPT FOR THE METALIZED SURFACES DAMAGED DURING CROSSFRAME INSTALLATION. THESE AREAS SHALL BE CLEANED AND PAINTED IN CONFORMANCE WITH THE STRUCTURE'S PAINT SYSTEM REQUIREMENTS. OVERSPRAY FROM PAINTING NEED NOT BE REMOVED. FOR REPAIR OF ALL OTHER METALIZED SURFACES SEE THE JOINT INSTALLATION NOTES ON SHEET 5/5.