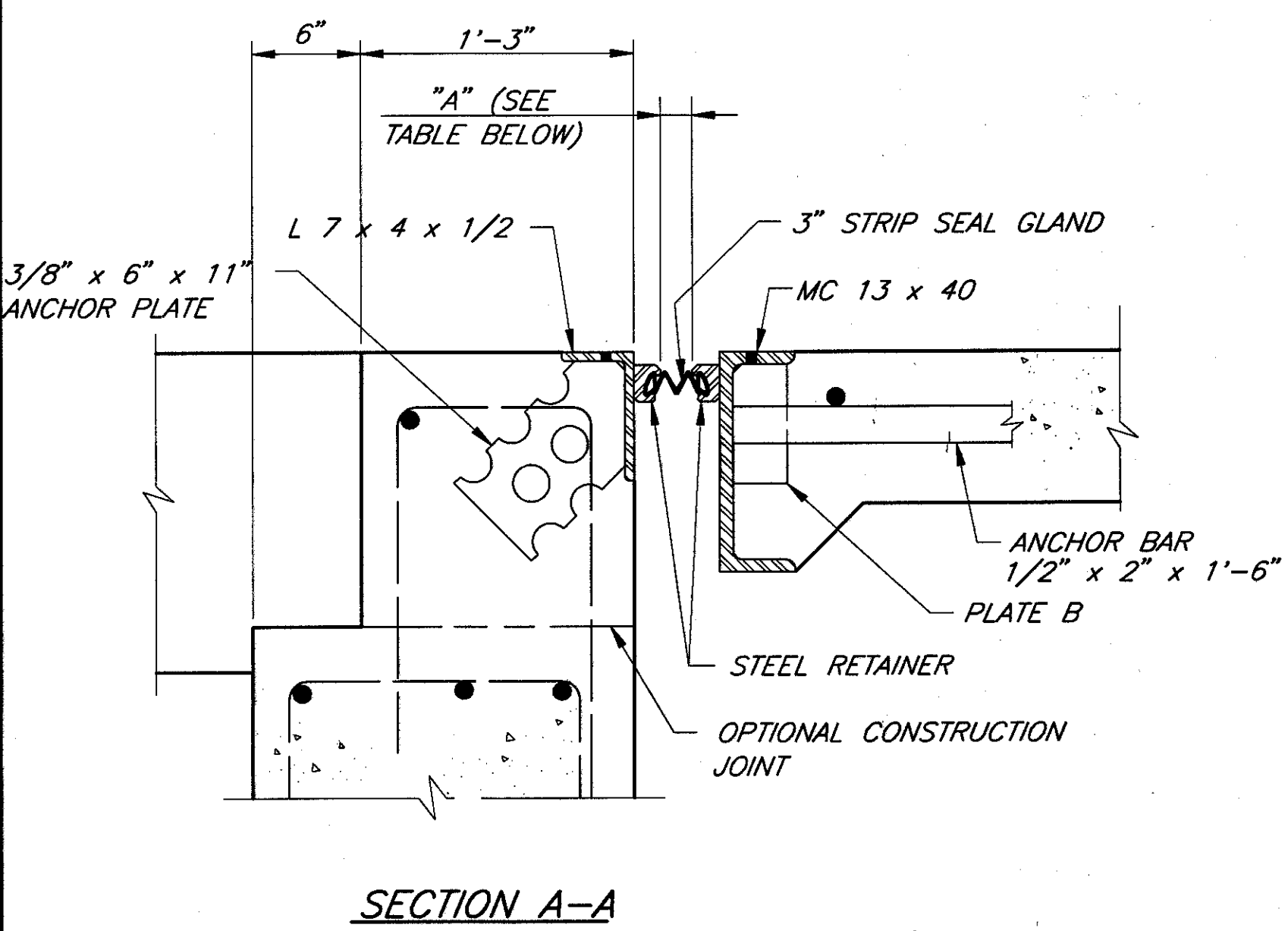


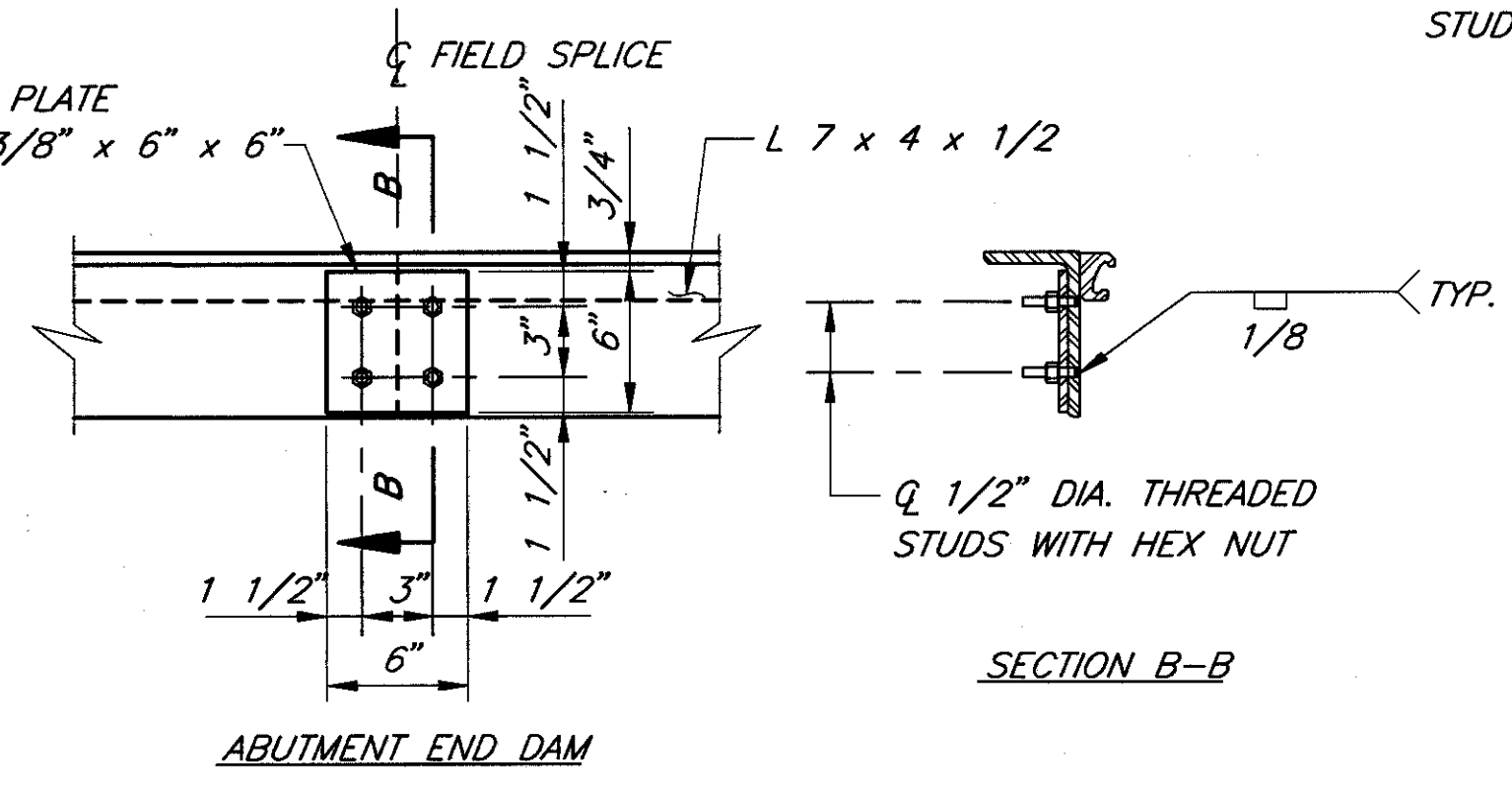
SEE SHEET [8] [23] FOR EXISTING DECK AND BACKWALL REMOVAL TO PERMIT THE INSTALLATION OF BOTH SUPERSTRUCTURE AND ABUTMENT END DAMS

PLAN OF EXPANSION JOINT



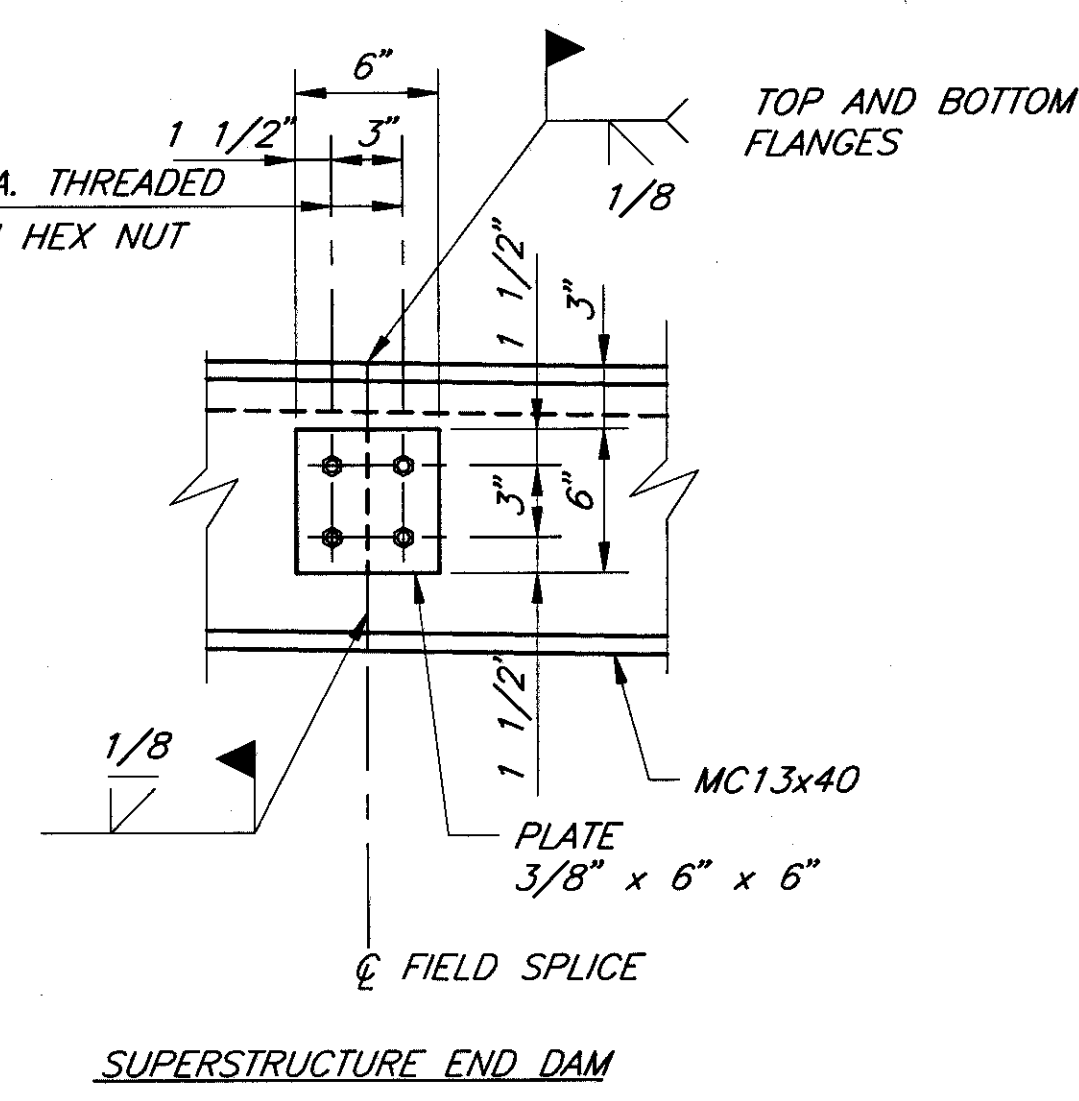
SECTION A-A

DIMENSION "A" FOR DECK JOINT OPENING					
30'	40'	50'	60'	70'	80'
1 15/16"	1 13/16"	1 11/16"	1 5/8"	1 1/2"	1 3/8"



SECTION B-B

SPLICE DETAILS FOR END DAM ARMOR AT THE CONSTRUCTION JOINT



TOP AND BOTTOM FLANGES

NOTES

1. THE REMOVAL OF THE EXISTING END CROSSFRAMES AND EXISTING EXPANSION JOINT END DAMS SHALL BE INCLUDED WITH ITEM 202- PORTIONS OF STRUCTURE REMOVED, AS PER PLAN FOR PAYMENT.
2. FOR ADDITIONAL EXPANSION JOINT AND END CROSS FRAME DETAILS SEE STANDARD DRAWINGS EXJ-4-87 AND SD-1-69, (SHEET 1 OF 4).
3. STRIP SEAL GLANDS SHALL BE FURNISHED AND INSTALLED IN ONE CONTINUOUS PIECE.
4. INSTALLATION OF SEAL: DURING INSTALLATION OF THE SUPPORT/ARMOR FOR THE SUPERSTRUCTURE SIDE OF THE EXPANSION JOINT SEAL, THE SEATING OF BEAMS ON BEARINGS SHALL BE CAREFULLY OBSERVED TO ASSURE THAT POSITIVE BEARING IS MAINTAINED.
5. DECK JOINT PAINTING: AFTER CLEANING IN THE FIELD AS DIRECTED, AND PREFERABLY AFTER INSTALLATION OF JOINT SEALS, ALL UPPER EXPOSED STEEL SURFACES EXCLUDING ROADWAY SURFACES IN TRAVELED LANES SHALL BE PAINTED WITH A SYSTEM OZEU PRIME, INTERMEDIATE, AND FINISH COAT OF PAINT AS DESCRIBED IN THE PROPOSAL NOTE FOR OZEU PAINTING. COST FOR FIELD CLEANING AND PAINTING SHALL BE INCLUDED IN THE PRICE BID PER LINEAL FOOT FOR THE DECK EXPANSION JOINTS.
6. DECK JOINT MATERIALS: STEEL FOR DECK JOINTS THAT IS TO BE FULLY ENCASED IN CONCRETE MAY BE UNPAINTED ASTM A36 OR A588. ALL OTHER STEEL PORTIONS OF THE JOINTS SHALL BE ASTM A588. STEEL SHALL BE ABRASIVELY CLEANED IN THE SHOP PRIOR TO FINAL ASSEMBLY. STEEL RETAINERS AND ELASTOMERIC STRIP SEALS SHALL BE PROVIDED BY THE SAME MANUFACTURER. A CLOSED-CELL ELASTOMERIC BACKER ROD SHALL BE INSTALLED IN RETAINERS BY THE JOINT FABRICATOR AFTER STEEL CLEANING TO PROTECT GROOVE SURFACES FROM CONTAMINATION PRIOR TO SEAL INSTALLATION OR FIELD PAINTING. SHOP PAINTING IS NOT REQUIRED.