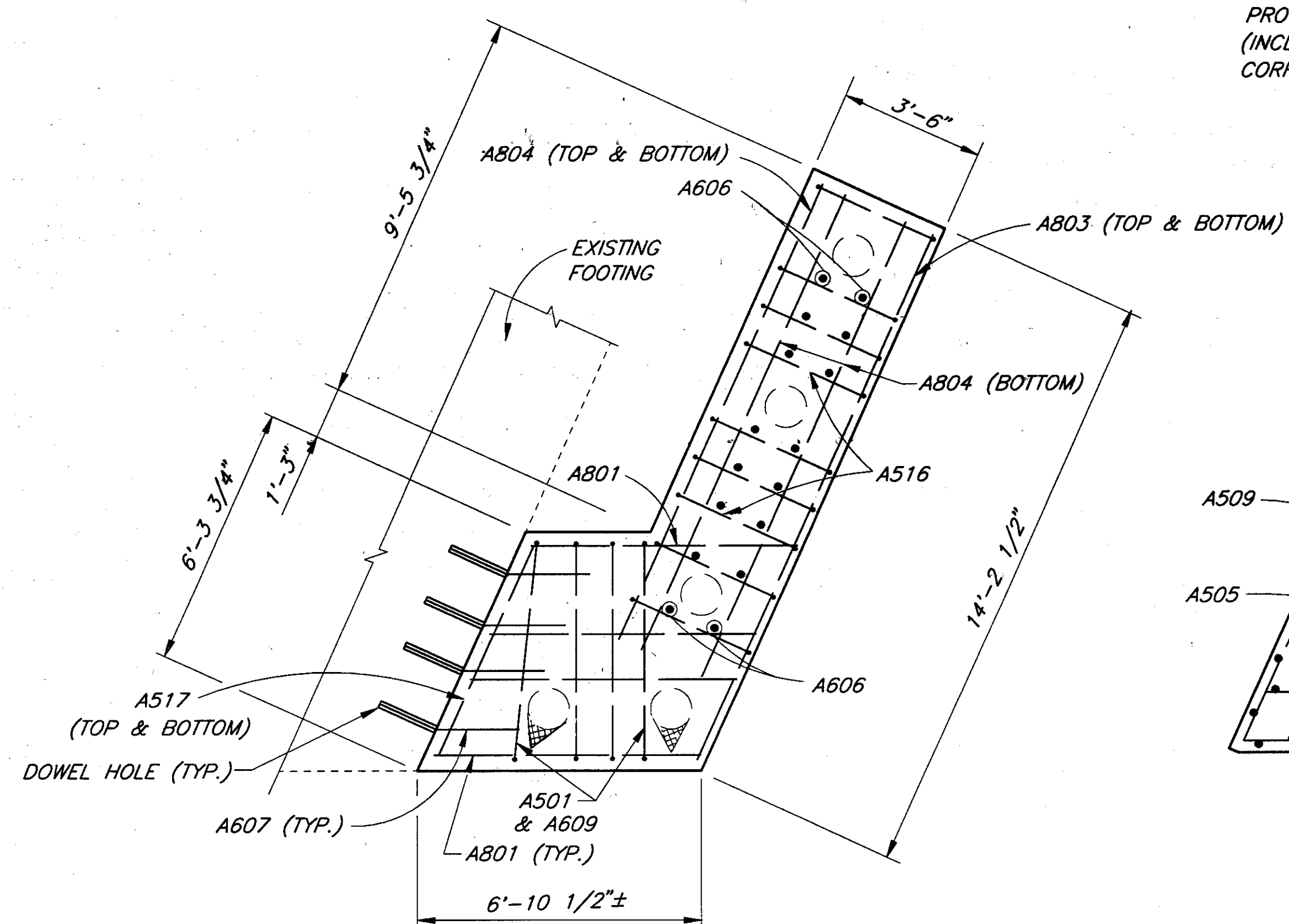
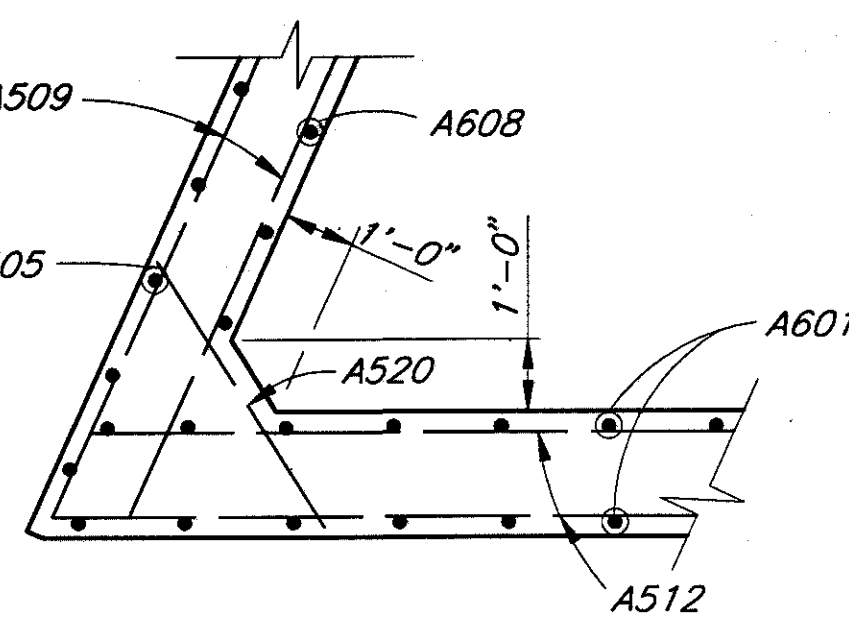


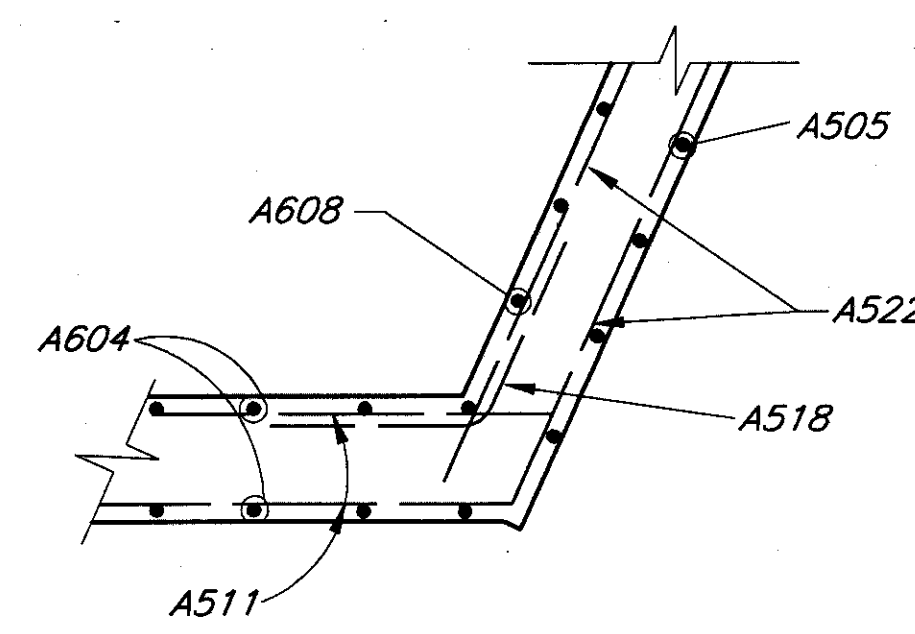
SECTION H-H
(REAR ABUTMENT)



SECTION J-J
(REAR ABUTMENT)

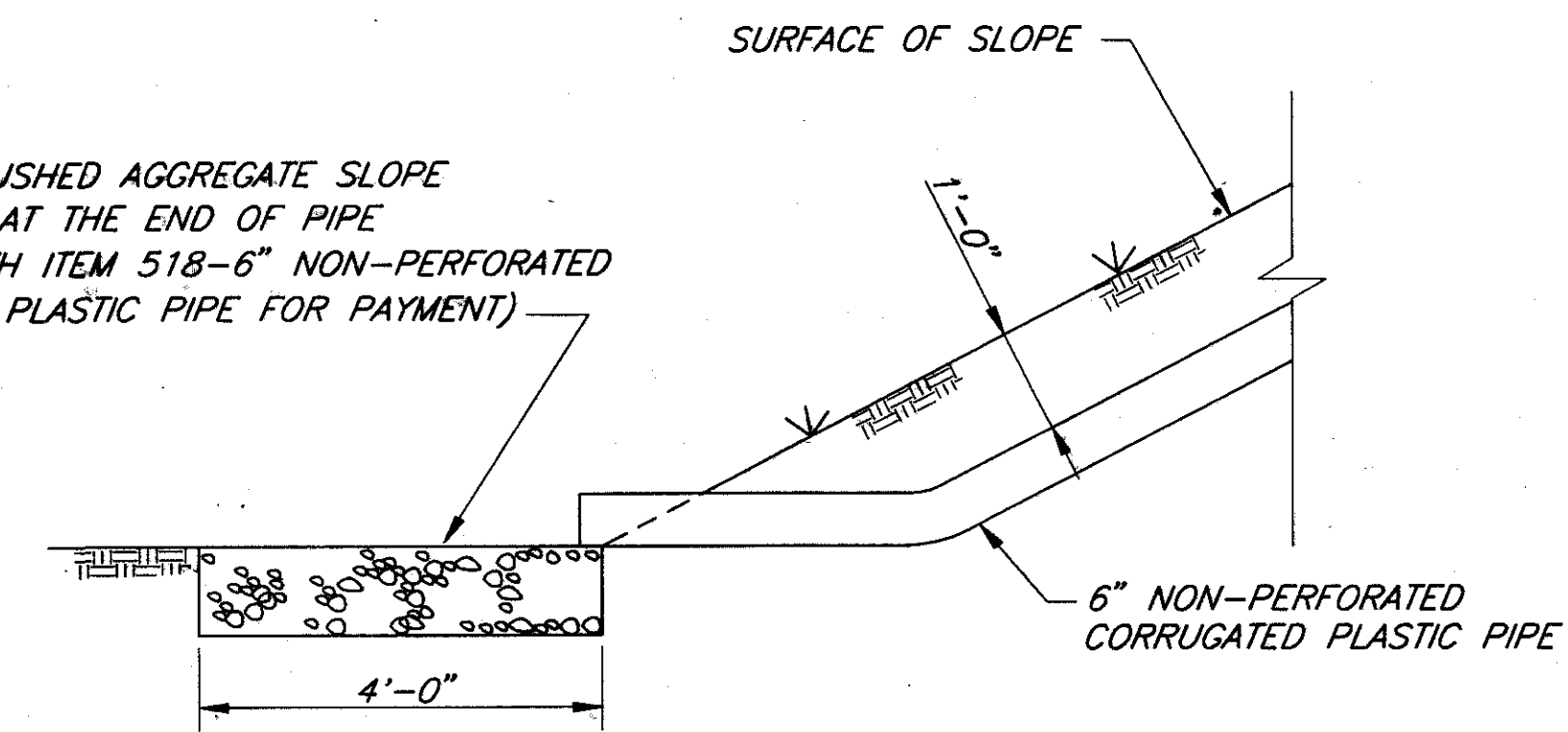


SECTION M-M

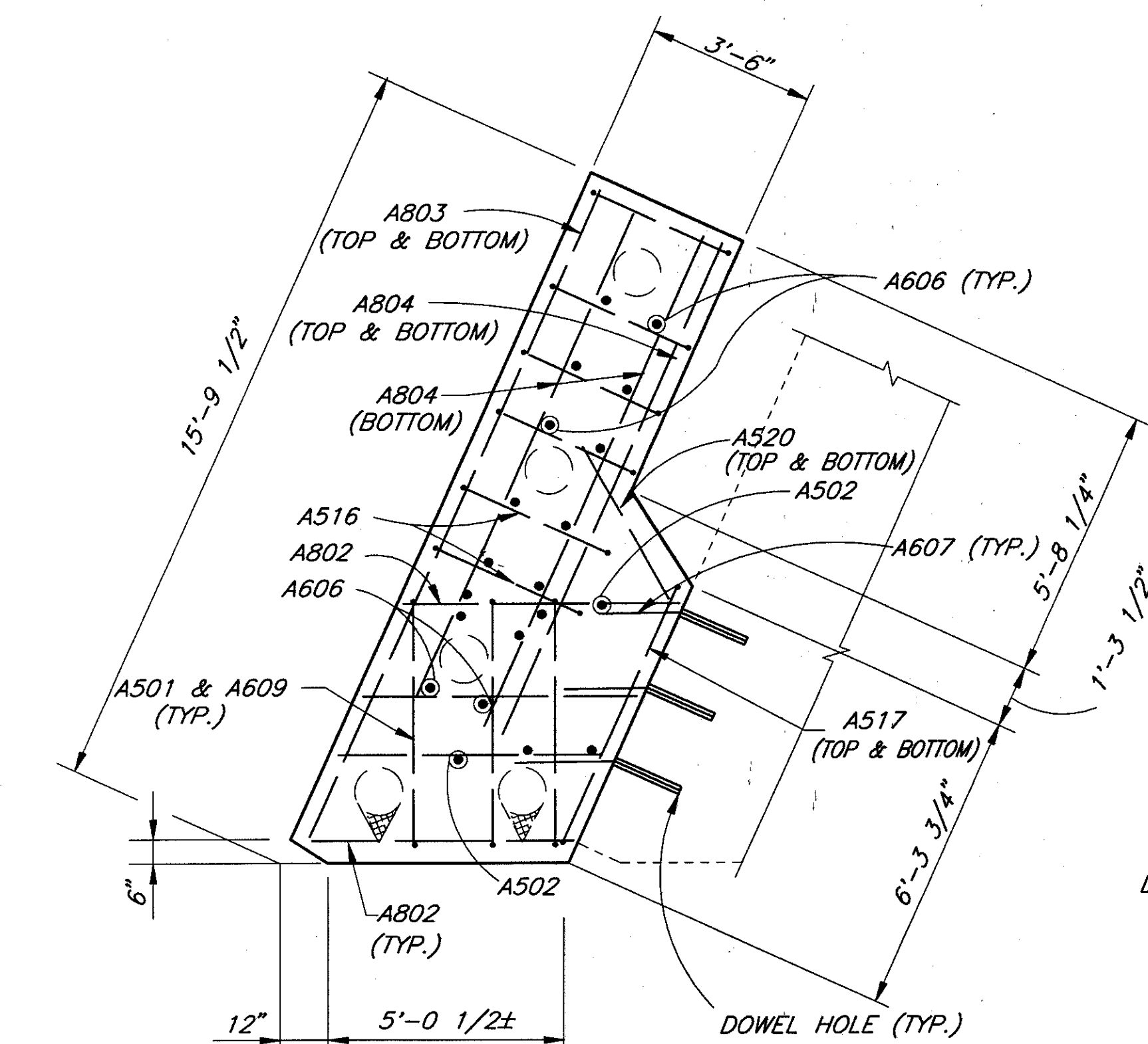


SECTION N-N

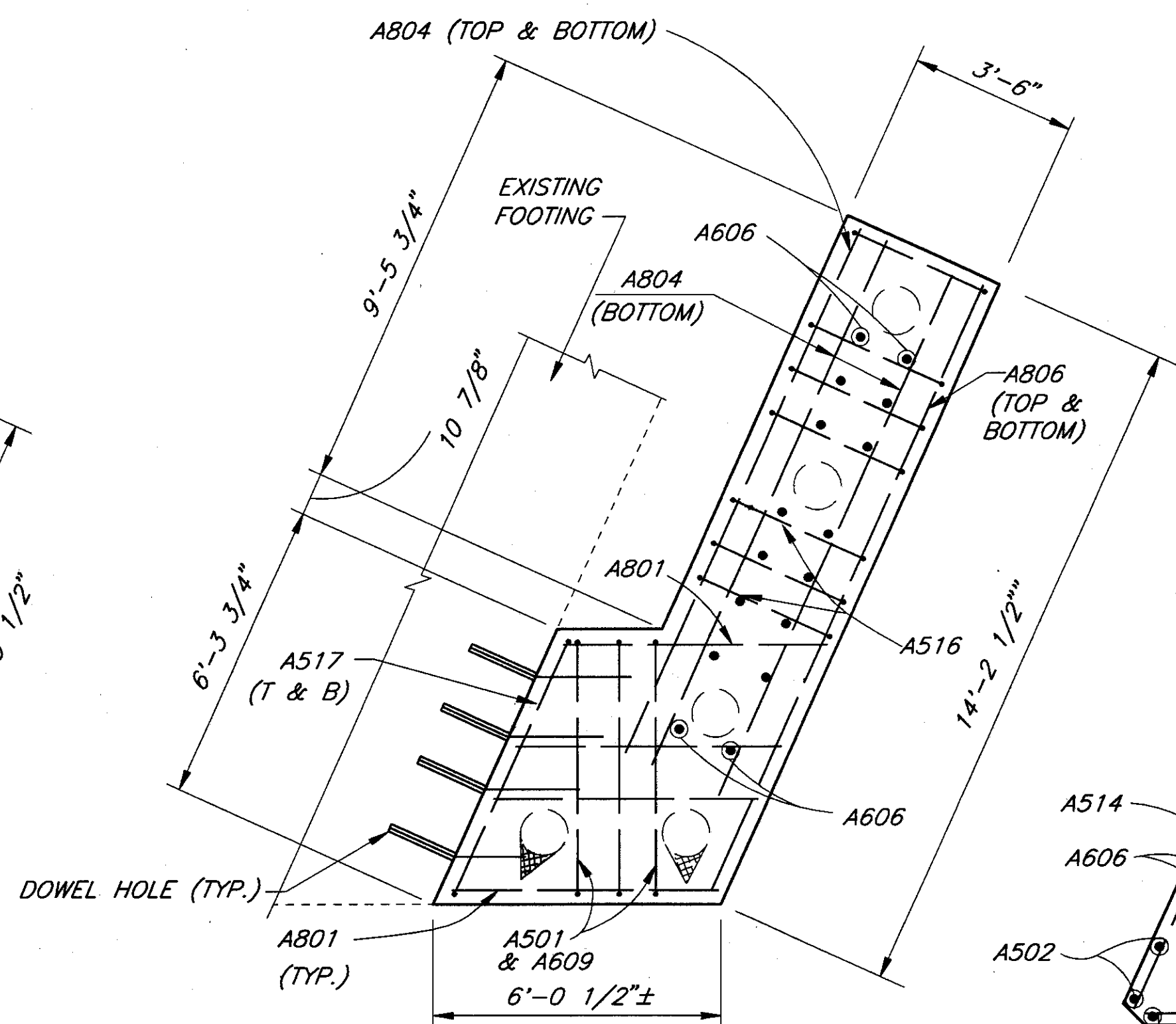
4'x4'x1' CRUSHED AGGREGATE SLOPE PROTECTION AT THE END OF PIPE (INCLUDE WITH ITEM 518-6" NON-PERFORATED CORRUGATED PLASTIC PIPE FOR PAYMENT)



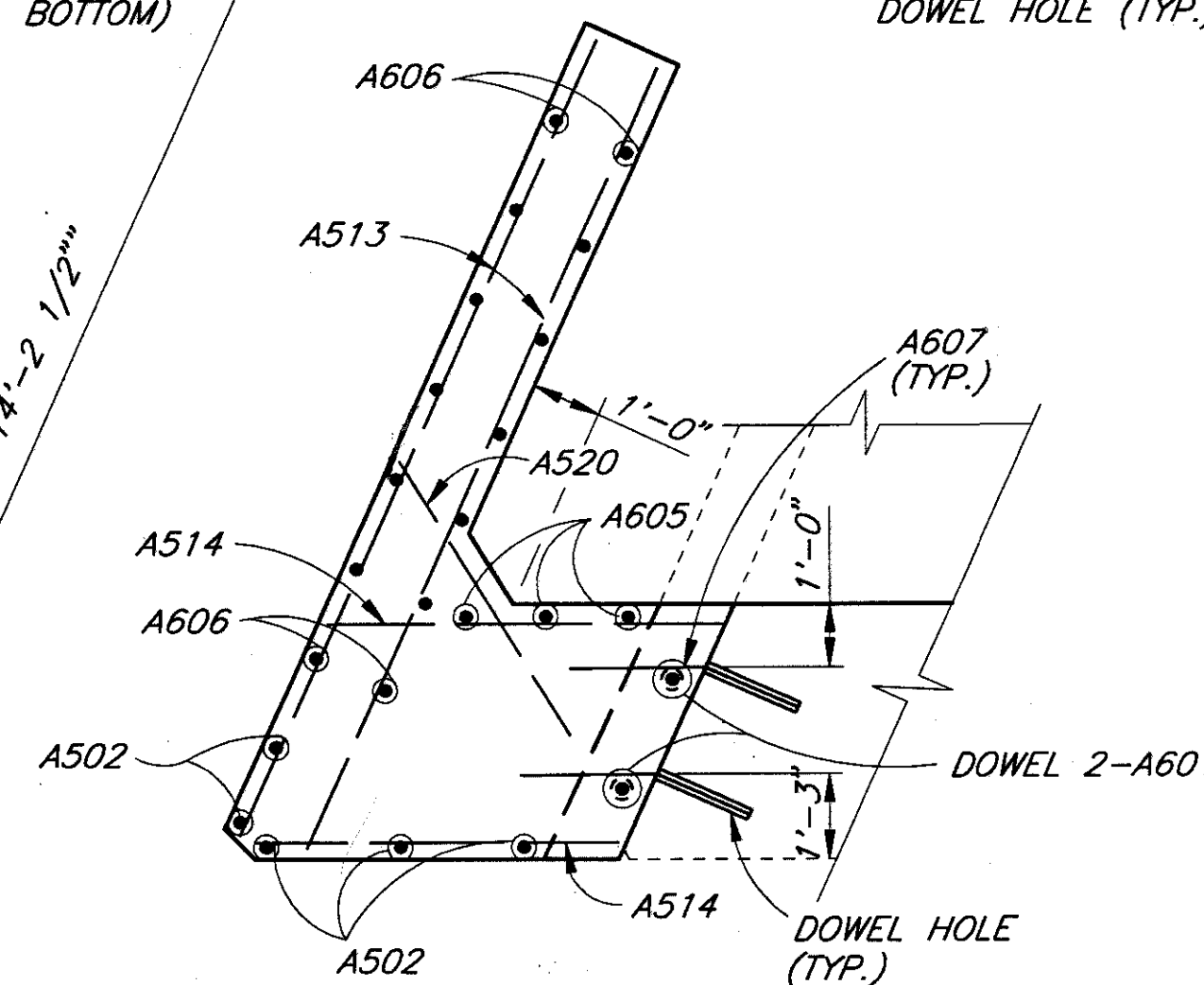
TERMINATION OF 6" DIA. NON-PERFORATED CORRUGATED PLASTIC PIPE



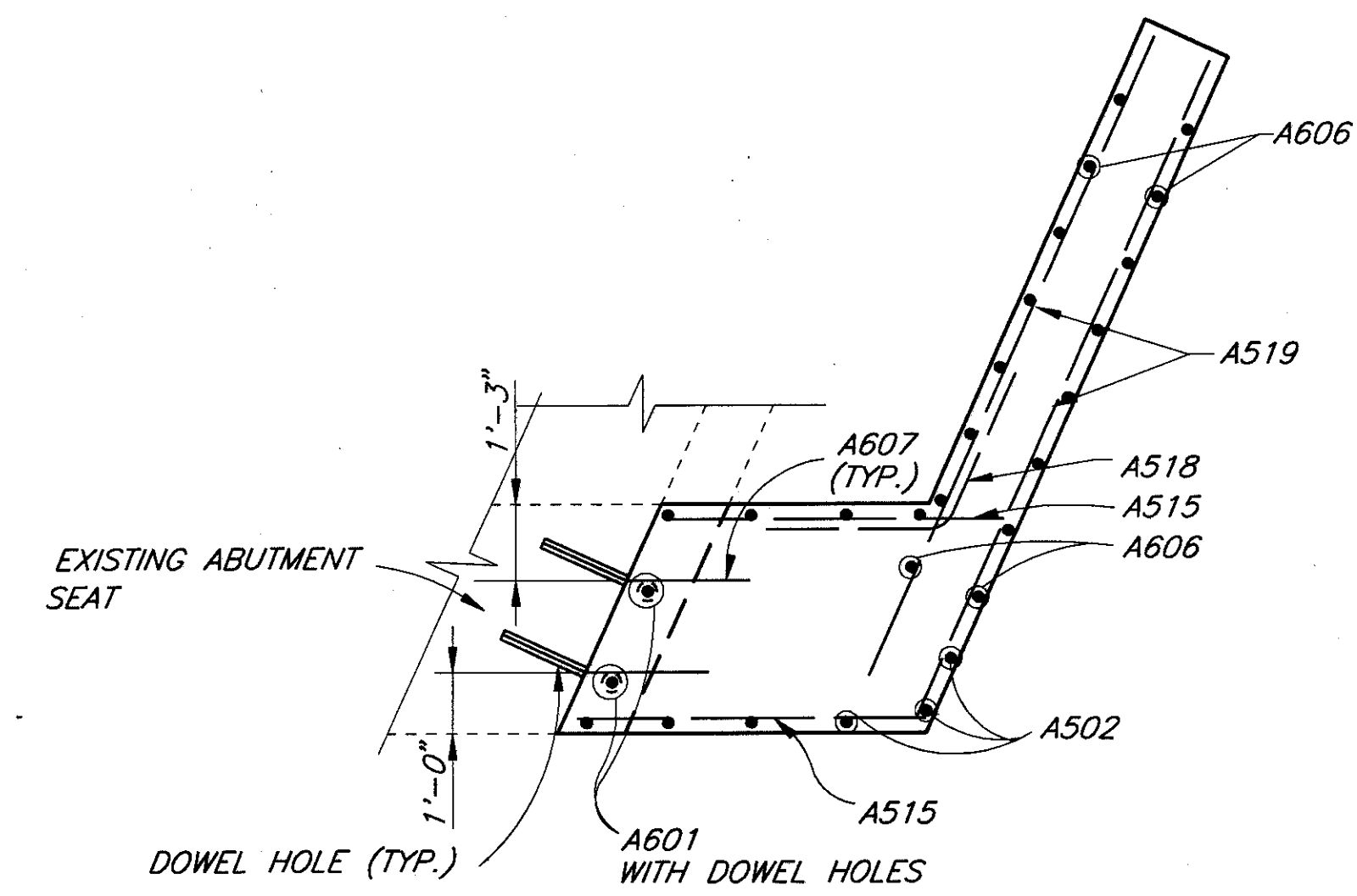
SECTION K-K
(FORWARD ABUTMENT)



SECTION L-L
(FORWARD ABUTMENT)



SECTION F-F



SECTION G-G

NOTES:

1. FOR ADDITIONAL DETAILS AND LAYOUT OF FOUNDATION, SEE SHEET 10/24
2. FOR ABUTMENT PLANS & ELEVATIONS, SEE SHEET 11/24 AND 12/24
3. FOR ABUTMENT DETAILS, SEE SHEET 13/24
4. ALL DOWEL HOLES ARE 1'-0" LONG UNLESS NOTED OTHERWISE.