

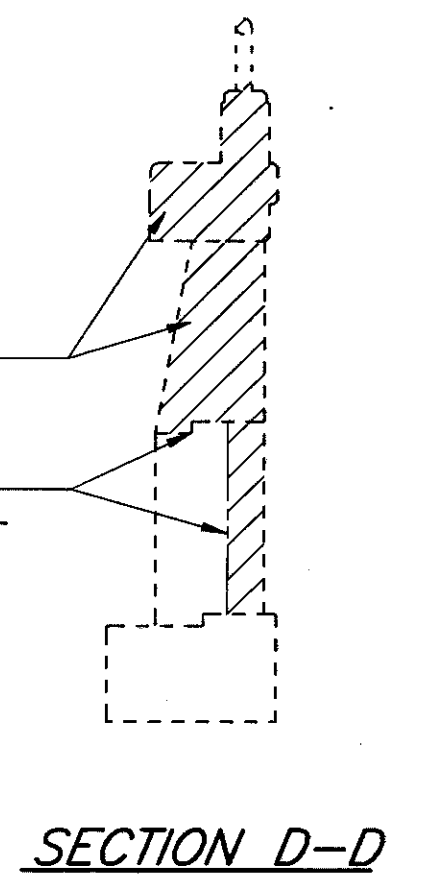
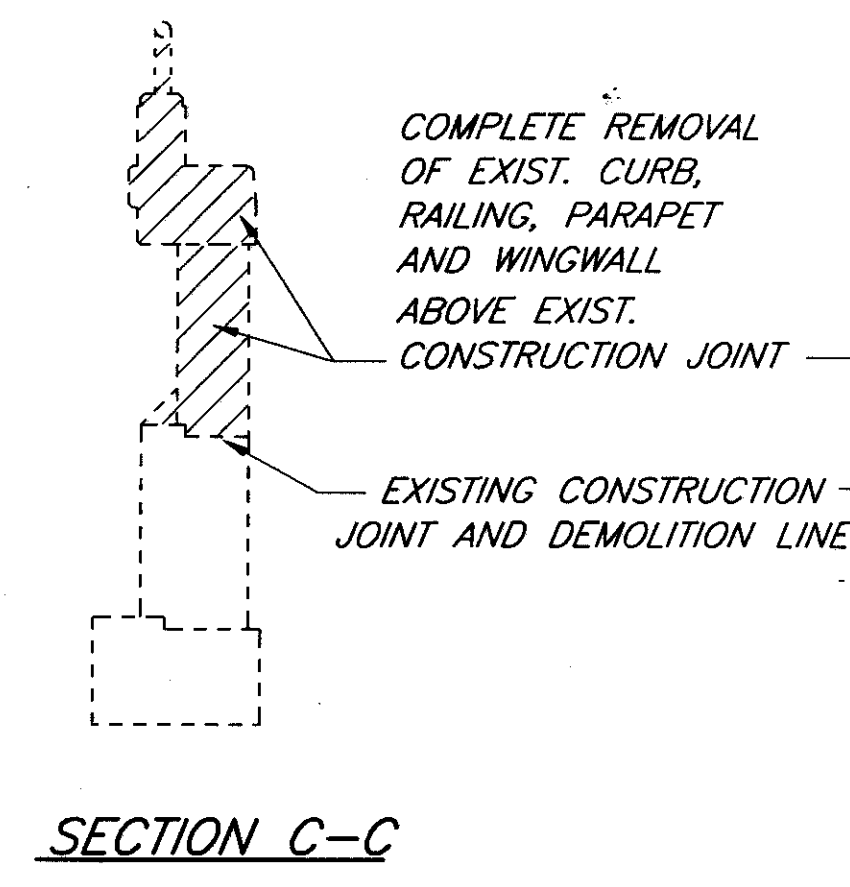
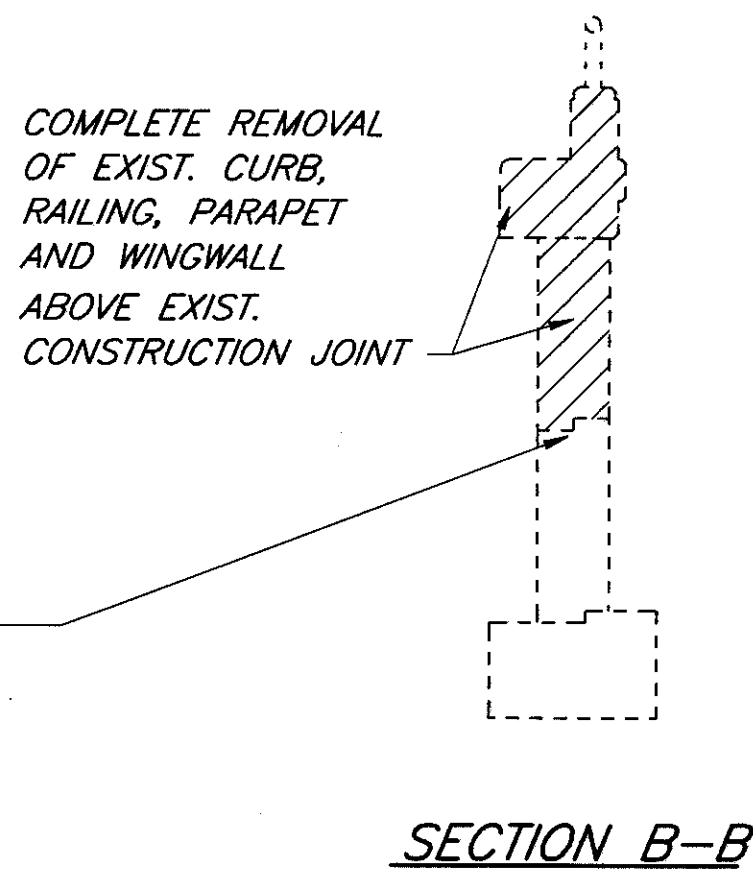
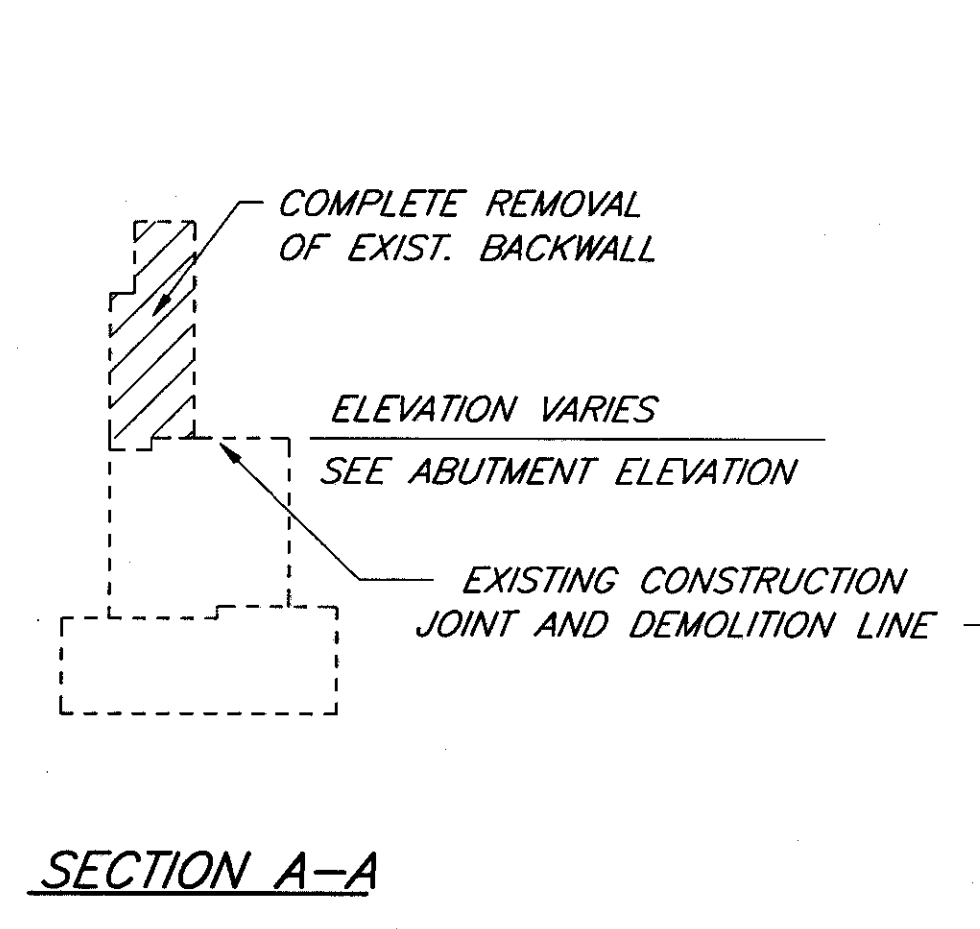
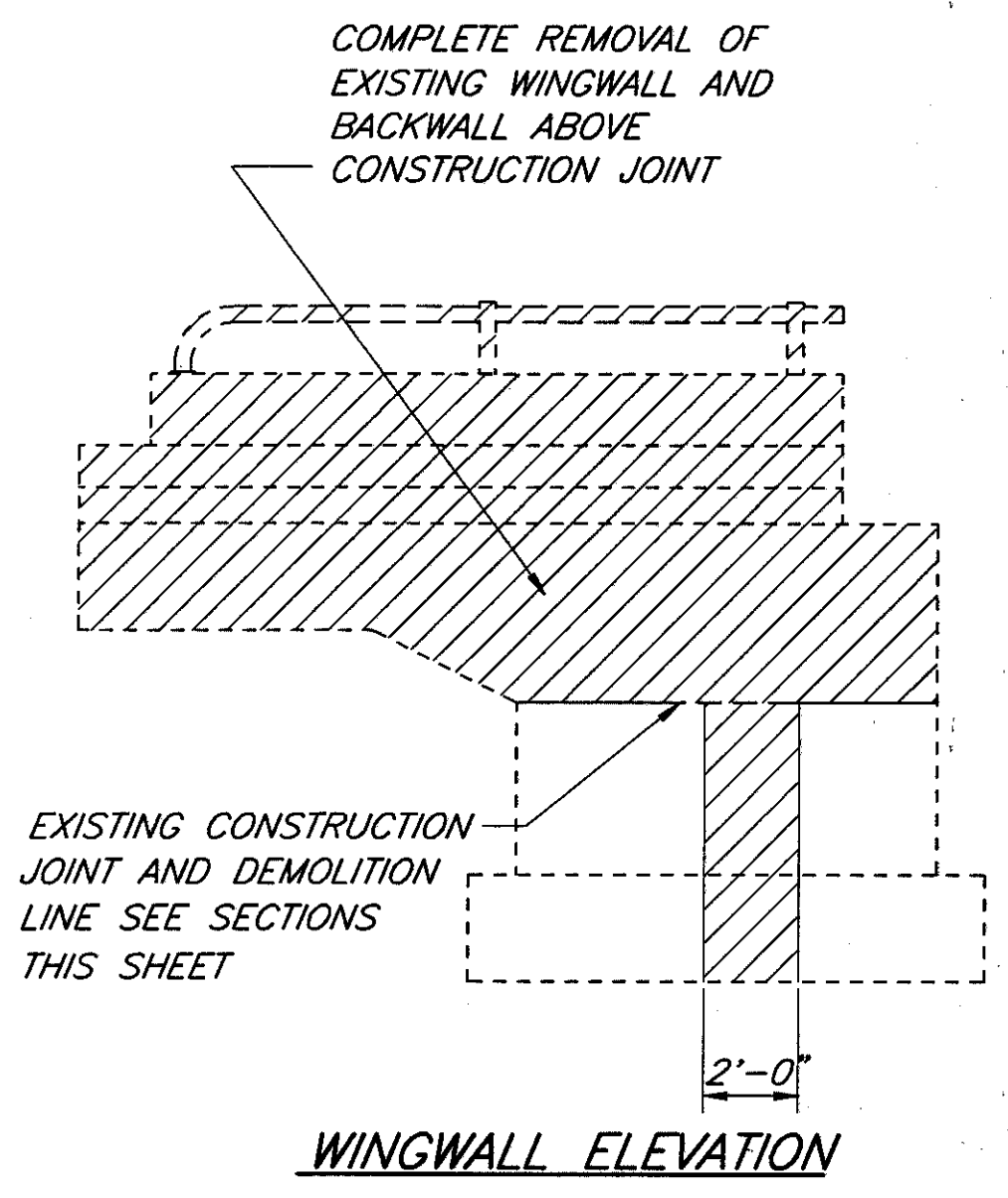
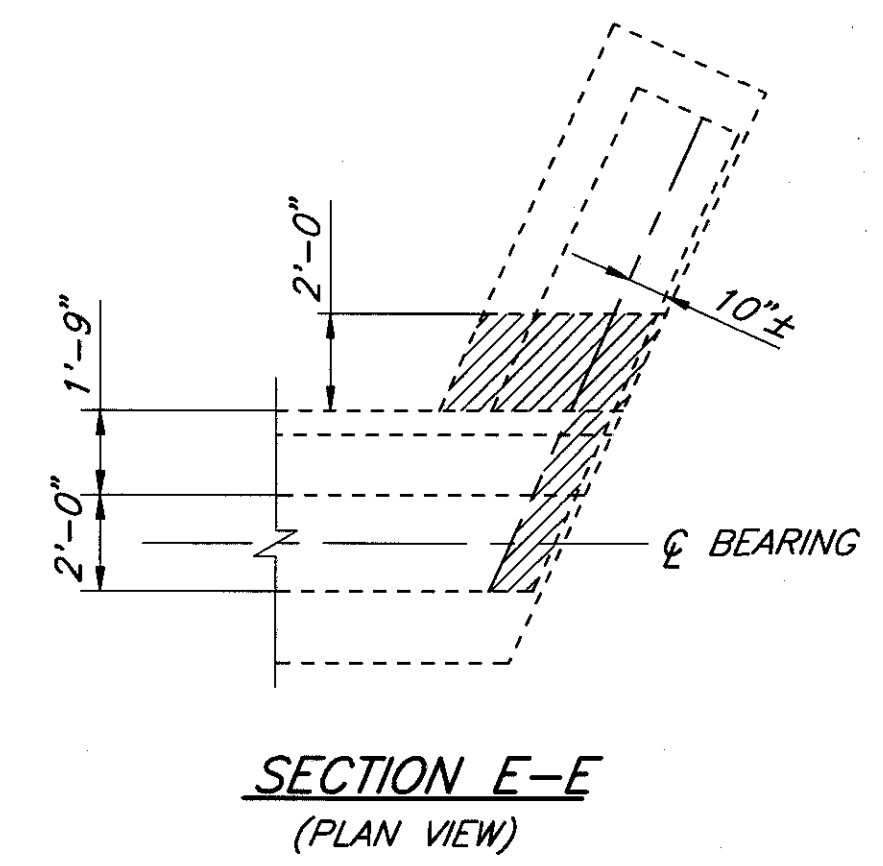
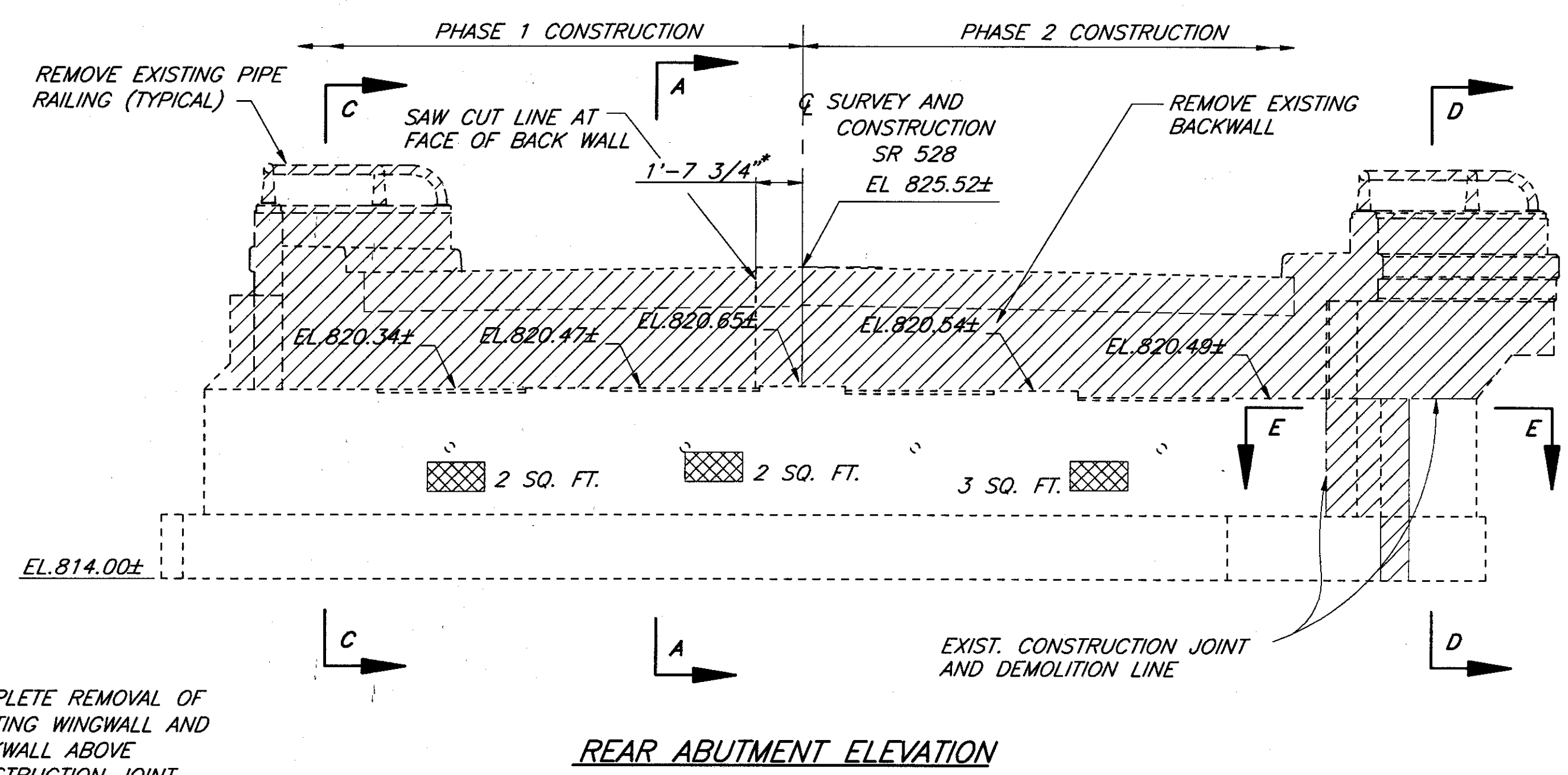
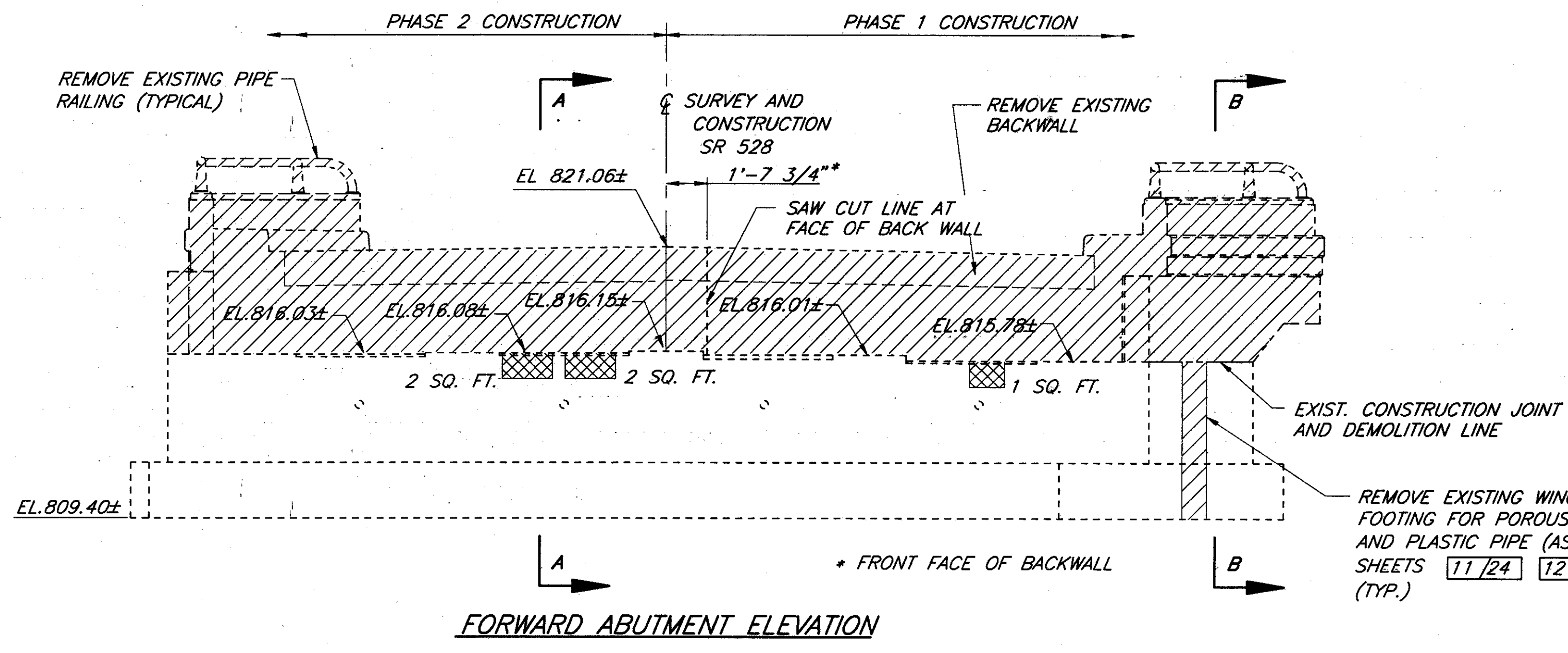
LEGEND:

 ITEM 202--PORTIONS OF STRUCTURES REMOVED, AS PER PLAN

 ITEM 843 : PATCHING CONCRETE STRUCTURE WITH TROWELABLE MORTAR
SEE SHEET 15/24 FOR ESTIMATED QUANTITIES.

NOTES:

1. CONSTRUCTION JOINT PREPARATION: REMOVE CONCRETE TO A ROUGH SURFACE. PRIOR TO CONCRETE PLACEMENT, ABRASIVELY CLEAN JOINT SURFACE AND EXPOSED REINFORCEMENT TO REMOVE LOOSE AND DISINTEGRATED CONCRETE AND LOOSE RUST. THEN, THE JOINT SURFACE AND EXPOSED REINFORCEMENT SHALL BE THOROUGHLY CLEANED OF ALL DIRT, DUST, OR OTHER FOREIGN MATERIAL BY THE USE OF WATER, AIR UNDER PRESSURE, OR OTHER METHODS THAT PRODUCE SATISFACTORY RESULTS. CONCRETE BONDING SURFACES SHALL BE WET WITHOUT FREE WATER AS CONCRETE IS PLACED.
2. SUBSTRUCTURE CONCRETE REMOVAL SHALL BE BY MEANS OF APPROVED PNEUMATIC HAMMERS EMPLOYING POINTED AND BLUNT CHISEL TOOLS. HYDRAULIC HOERAM TYPE HAMMERS WILL NOT BE PERMITTED. THE WEIGHT OF THE HAMMER SHALL NOT BE MORE THAN 35 POUNDS FOR REMOVAL WITHIN 18 INCHES OF PORTIONS TO BE PRESERVED. OUTSIDE THE 18 INCH LIMIT A HAMMER HEAVIER THAN 35 POUNDS, BUT NOT TO EXCEED 85 POUNDS, MAY BE USED AT THE APPROVAL OF THE ENGINEER. PNEUMATIC HAMMERS SHALL NOT BE PLACED IN DIRECT CONTACT WITH REINFORCING STEEL THAT IS TO BE RETAINED IN THE REBUILT STRUCTURE.
3. FOR NEW BACKWALL AND CONCRETE PARAPET REPLACEMENT DETAILS, SEE SHEETS 11/24 AND 12/24.
4. SAW CUT PERPENDICULAR TO FACE OF BACKWALL.
5. CLEANING PATCHED SURFACES:
ALL SURFACES TO BE PATCHED AND THE EXPOSED REINFORCING STEEL WITHIN SHALL BE THOROUGHLY CLEANED BY ABRASIVE BLASTING PRIOR TO THE CLEANING SPECIFIED BY 519.04 AND 520.05. CLEANING SHALL PRECEDE APPLICATION OF THE PATCHING MATERIAL OR ERECTION OF THE FORMS BY NOT MORE THAN 24 HOURS.



K. V. / 0007/0280/STRUCT/0905707
 P. 04/95
 Drawn By/Date: BK / 04-04-96 (16:22)