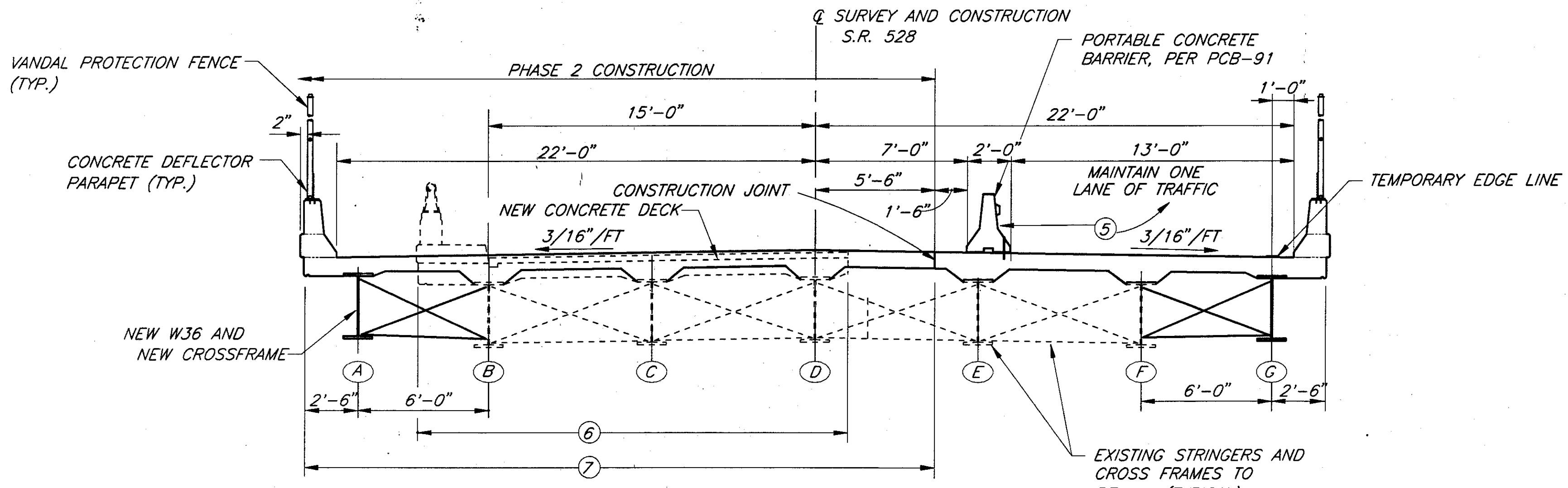
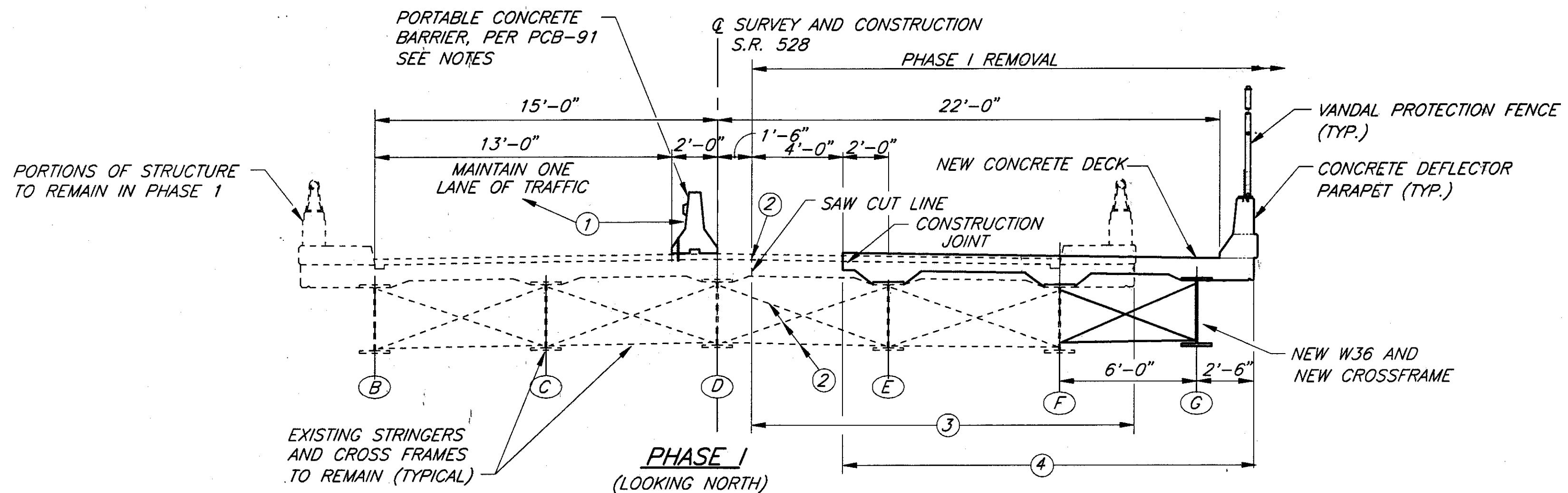


EXISTING TRANSVERSE SECTION



PHASE 2 (LOOKING NORTH)

PHASE 1

- ① INSTALL TEMPORARY BARRIERS AND MAINTAIN ONE LANE OF TRAFFIC, USING SIGNALIZED CROSSING.
- ② CUT END CROSS FRAMES AND INTERMEDIATE CROSSFRAMES IN CENTER BAY END SPANS TO ALLOW JACKING AND SHIMMING. SAW CUT CONCRETE DECK, FULL DEPTH AND FULL LENGTH OF DECK.
- ③ REMOVE PORTION OF DECK TO LIMIT SHOWN INCLUDING ASPHALT OVERLAY, CONCRETE DECK, CURB, PARAPET AND RAILING.
- ④ JACK BEAMS E AND F, ADD SHIM PLATES AT ABUTMENTS, CONSTRUCT PROPOSED DECK TO LIMIT SHOWN INCLUDING STEEL BEAM, CROSS FRAMES, CONCRETE DECK, PARAPET, AND FENCE.

PHASE 2

- ⑤ MOVE TEMPORARY BARRIERS, INSTALL TEMPORARY EDGELINE, AND MAINTAIN TRAFFIC.
- ⑥ REMOVE REMAINING DECK INCLUDING ASPHALT OVERLAY, CONCRETE DECK, CURB, PARAPET AND RAILING.
- ⑦ JACK BEAMS B, C AND D, ADD SHIM PLATES AT ABUTMENTS, CONSTRUCT DECK TO LIMIT SHOWN, INCLUDING STEEL BEAM, CROSS FRAMES, CONCRETE DECK, PARAPET AND FENCE, RECONNECT EXISTING INTERMEDIATE CROSSFRAMES IN CENTER BAY END SPANS.

NOTES:

1. PORTABLE CONCRETE BARRIER SHALL BE ANCHORED TO BRIDGE DECK WITH TWO (2) ANCHORS PER SEGMENT AS SHOWN ON STANDARD DRAWING PCB-91.
2. THE PAYMENT FOR PCB SHALL BE INCLUDED WITH ROADWAY QUANTITY PAY ITEM 622 - PORTABLE CONCRETE BARRIER, 32", BRIDGE MOUNTED, AS PER PLAN.
3. CONTRACTOR HAS THE OPTION OF REDUCING THE WIDTH OF LANES TO A MINIMUM OF 13'-0" PER LANE, INSTALLING TEMPORARY CONCRETE BARRIER ALONG THE CURB LINES AND REMOVING PORTIONS OF THE EXISTING PARAPET AND/OR WINGWALLS PRIOR TO IMPLEMENTING SIGNALIZED LANE CLOSURES IN ORDER TO EXPEDITE CONSTRUCTION WITHIN THE TIME CONSTRAINTS. ANY ADDITIONAL COST ASSOCIATED WITH THIS OPTION SHALL BE BORNE BY THE CONTRACTOR.
4. SEE SHEET **20 / 24** FOR CONSTRUCTION SURVEYING REQUIREMENTS ASSOCIATED WITH DECK CONSTRUCTION.

Filename: K:\A01\0001\0290\STRUCT\02905706
 Drawn By: jg/04-23-98 (14:36)
 Date: 04/23/98

DESIGN AGENCY
THE OSBORN ENGINEERING COMPANY
 668 EUCLID AVENUE
 CLEVELAND, OHIO 44114

DATE
 10/95
 REVIEWED
 GA
 STRUCTURE FILE NUMBER
 4305019

DRAWN
 VM
 DESIGNED
 BK
 CHECKED
 JRS
STAGE CONSTRUCTION
 BRIDGE NO. LAK-90-2687
 OVER INTERSTATE 1-90

LAK-90-26.87