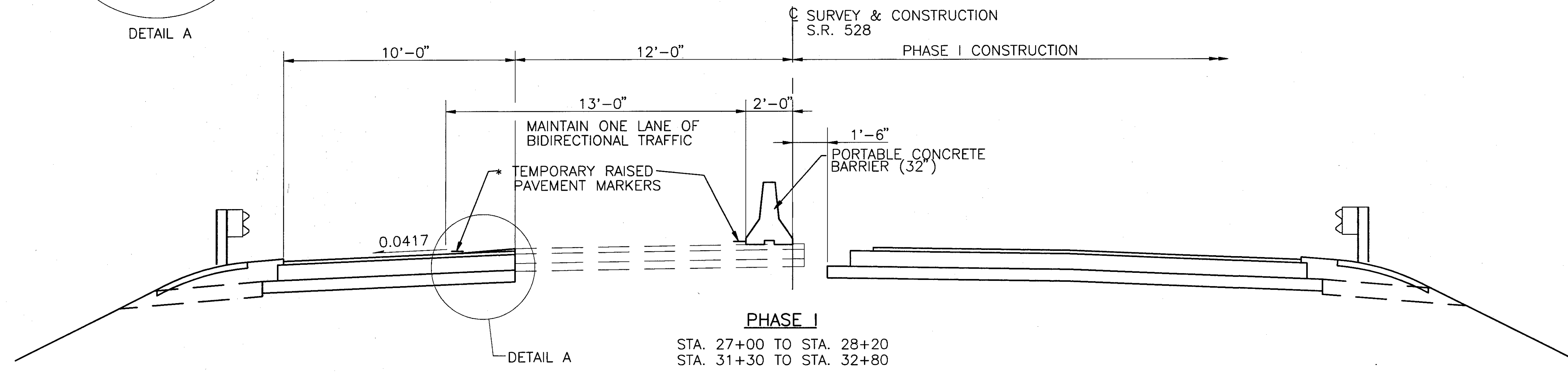


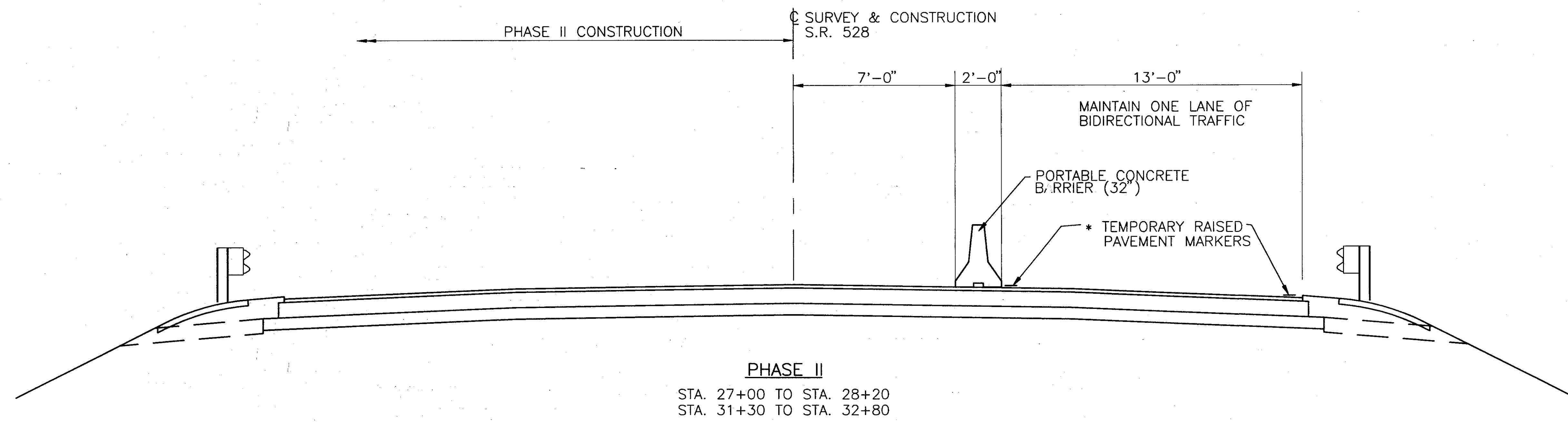
DETAIL A



PHASE I

STA. 27+00 TO STA. 28+20
STA. 31+30 TO STA. 32+80

* SEE SHEET 15 AND THE STANDARD CONSTRUCTION DRAWING MT-96.11M FOR ADDITIONAL DETAILS.



PHASE II

STA. 27+00 TO STA. 28+20
STA. 31+30 TO STA. 32+80

File Name: K:\311\0507\0290\STRUCT\12035008
 Plot Size: 11x17
 Drawn By: Date: Pg / 04-12-96 (16:57)