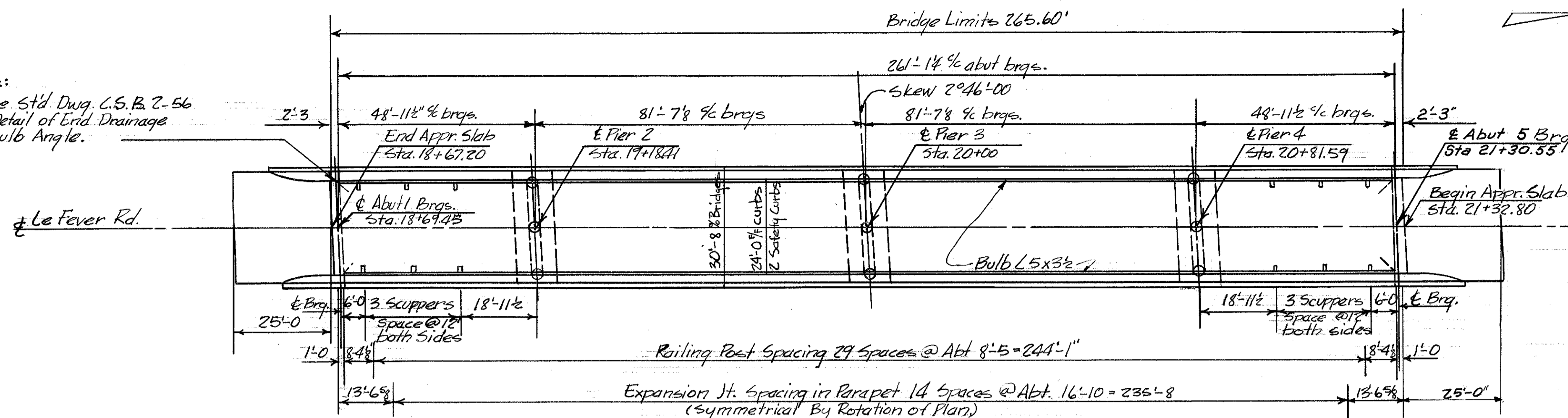


LAKE COUNTY
LAK-1-26.51
ASHTABULA COUNTY
ATB-1-0.00

NOTE:

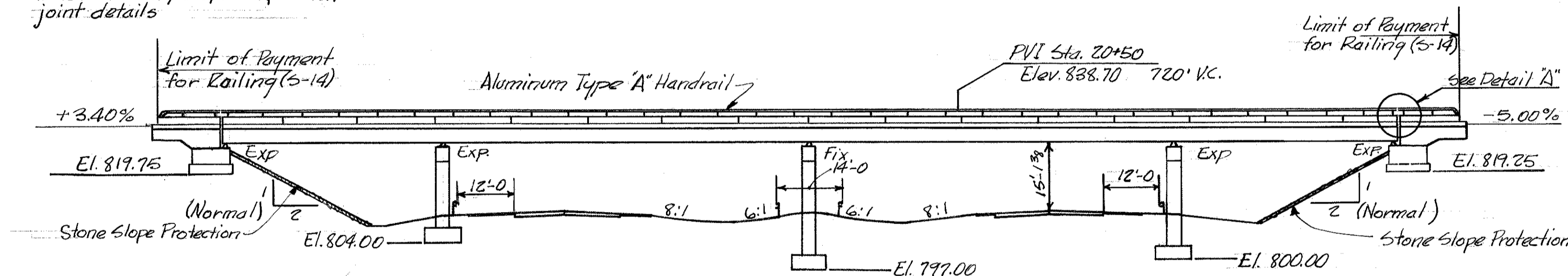
See Std. Dwg. C.S.B. 2-56 for Detail of Erod. Drainage of Bulb Angle.



GENERAL PLAN

NOTE:

See Std. Dwg. AR-1-57 For handrail and parapet expansion joint details



ELEVATION

GENERAL NOTES

REFERENCE: Shall be made to Standard Drawing CSB-2-56 sheets 2 of 6 and 3 of 6 dated December 3, 1956, RB-1-55 dated March 1, 1955, AR-1-57 dated April 9, 1957 and supplemental Specifications No. 5-114, revised August 1, 1957.

DESIGN SPECIFICATIONS: This structure conforms to the requirements of "Design Specifications for Highway Structures" of the State of Ohio, Department of Highways, dated October 1, 1951 together with revisions thereof dated July 15, 1952, April 1, 1954 and February 1, 1955.

CONCRETE: Superstructure, columns, caps and abutments above footings shall be "Class C Concrete." Abutment footings and pier footings shall be "Class E Concrete."

DECK CONSTRUCTION PROCEDURE: In order to facilitate water curing of the concrete of the deck slab, the placing of concrete shall progress up grade. The slab may be placed in sections between transverse construction joints which are normal to the center line of bridge and are located near the center of any span.

EXCAVATION QUANTITIES: Shall be as outlined in Sec. E-2, and includes the removal of material from the finished grade or original ground down, whichever is the lower in elevation. Abutment excavation quantities include the removal of fill material between the surface of the embankment and the bottom of the abutment. Backfilling will be included in the cost of excavation.

STONE SLOPE PROTECTION: Extending from face of abutment to invert of ditch shall be provided at all abutments. Protection shall be a minimum of 12 inches thick, measured perpendicular to the slope, and shall extend 3 feet past outside limits of structure. Stone material shall meet the requirements of Section 5-29.02 for Porous drains.

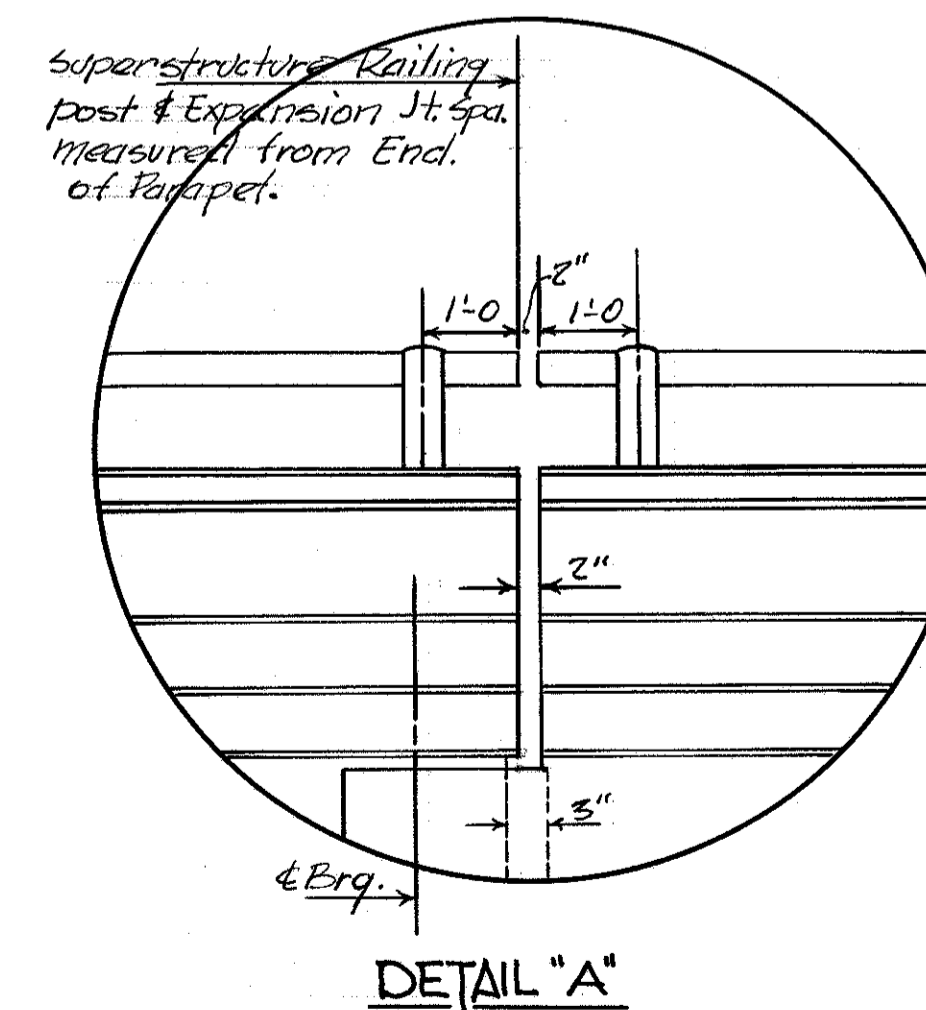
WELDING: All welding shall be Class "A" unless otherwise shown. Any weld shown as field weld may be made in the shop at the option of the Contractor.

WELDED STEEL: The steel for all rolled beams and moment plates with a thickness greater than 1" shall conform to ASTM Designation A-373. All other structural steel shall conform to either ASTM A-7 (per Sec M-7.4(a) of the Construction and Material Specifications) or to A373.

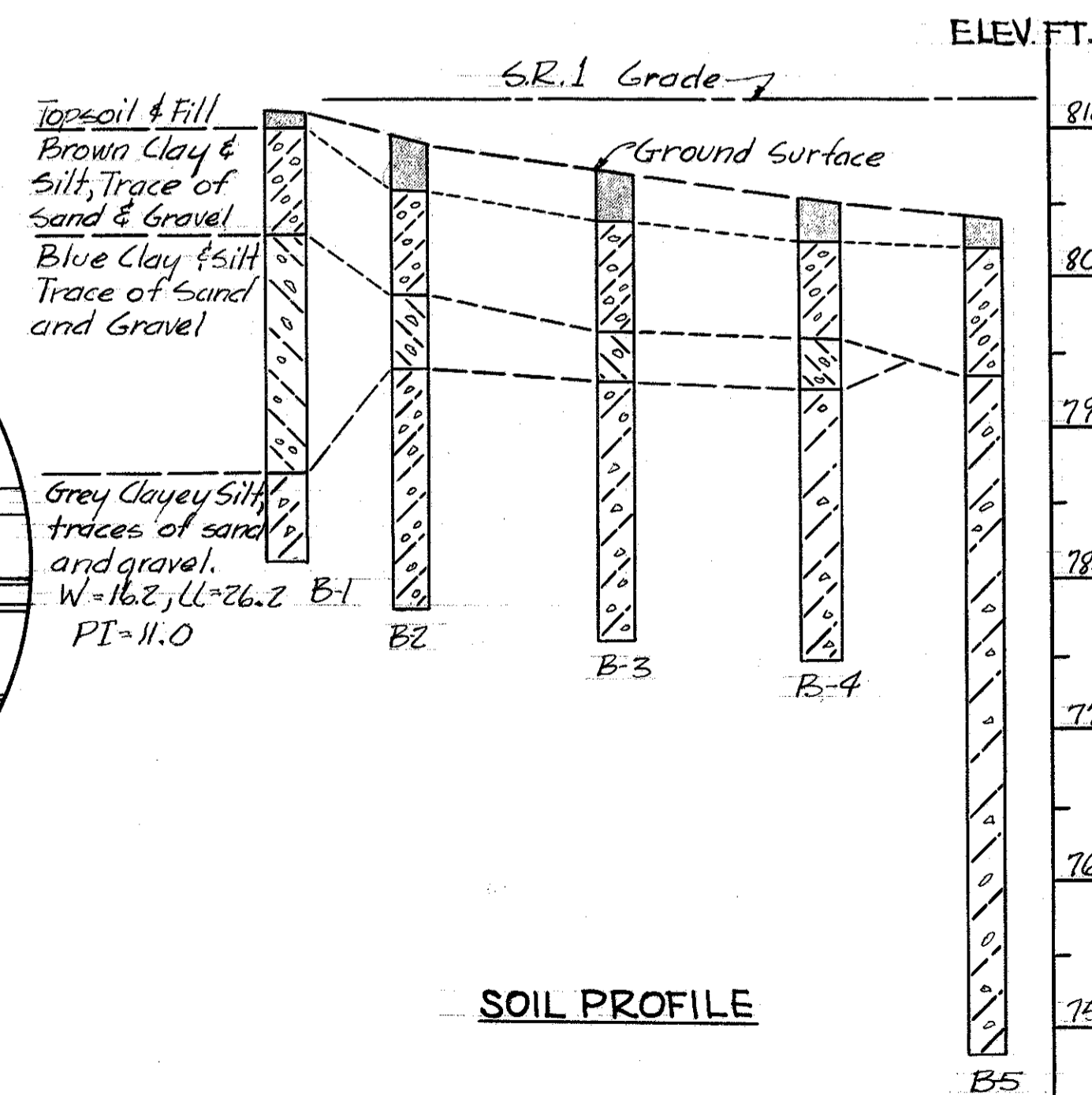
BAR SIZE: for reinforcing steel is indicated in the bar mark. The first digit indicates bar size number. For Example, #601 is a No. 6 Bar size and A104 is a No. 10 size.

ESTIMATED QUANTITIES

ITEM	TOTAL	UNIT	DESCRIPTION	SUPER STR.	ABUT 1	ABUT 5	PIER 2	PIER 3	PIER 4	GENL.
E-2	544	Cu. Yd.	Excavation For Structures	-	85	85	94	184	96	-
E-2	L.S.	L.S.	Cofferdams, Crises, Sheeting	-	-	-	-	-	-	L.S.
5-1	231	Cu. Yd.	Class "C" Concrete (Superstructure)	231	-	-	-	-	-	-
5-1	73	Cu. Yd.	Class "C" Concrete (Pier Caps & Cols.)	-	-	-	22	27	24	-
5-1	76	Cu. Yd.	Class "C" Abutments above footings	-	38	38	-	-	-	-
5-1	147	Cu. Yd.	Class "E" Concrete (Piers & Abut. Footings)	-	17	17	36	40	37	-
5-4	95,413	Lbs.	Reinforcing Steel	60605	4408	4409	-	25991	-	-
5-7	214,814	Lbs.	Structural Steel	214814	-	-	-	-	-	-
5-8	214,814	Lbs.	Field Painting of Structural Steel	214814	-	-	-	-	-	-
5-14	578	Lin. Ft.	Railings (Aluminum Type A & Concrete Parapet)	578	26	26	-	-	-	-
5-29	18	Cu. Yd.	Porous Backfill	-	9	9	-	-	-	-
5-29	100	Cu. Yd.	Stone Slope Protection (1'-0" thick)	-	50	50	-	-	-	-



DETAIL "A"



SOIL PROFILE

CHARLES L. BARBER AND ASSOCIATES
HARRY BALKE ENGINEERS
TOLEDO, OHIO

GENERAL PLAN & ELEVATION

BRIDGE No. ATB-1-0233
SRI UNDER LEFEVER RD.
ASHTABULA CO. SRI
STA 123+59.21

DESIGNED	DRAWN	TRACED	CHECKED	REVIEWED	DATE	REVISED
CTL	GS.	LCH	RGE.	ACA	8/29/57	