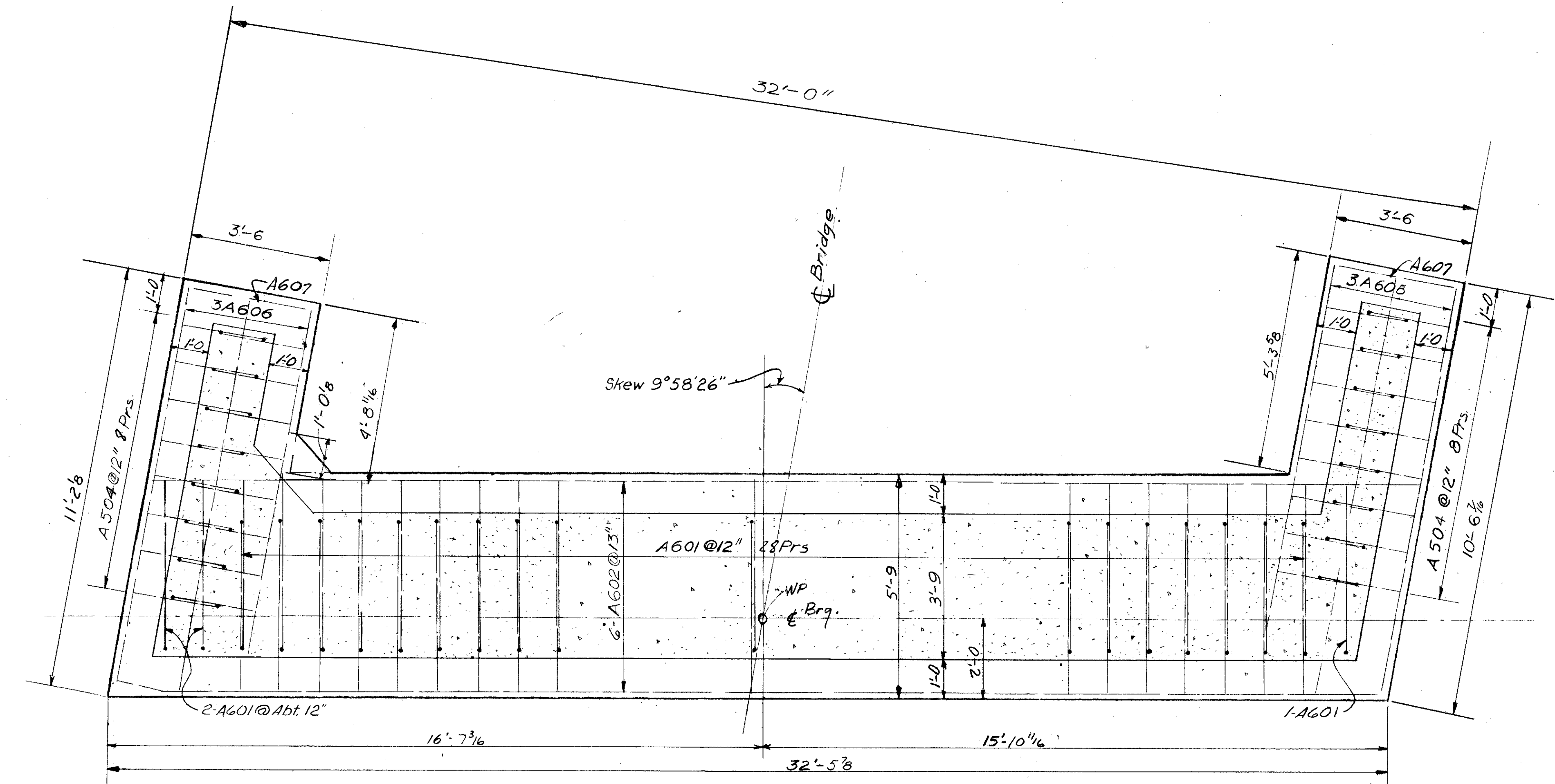
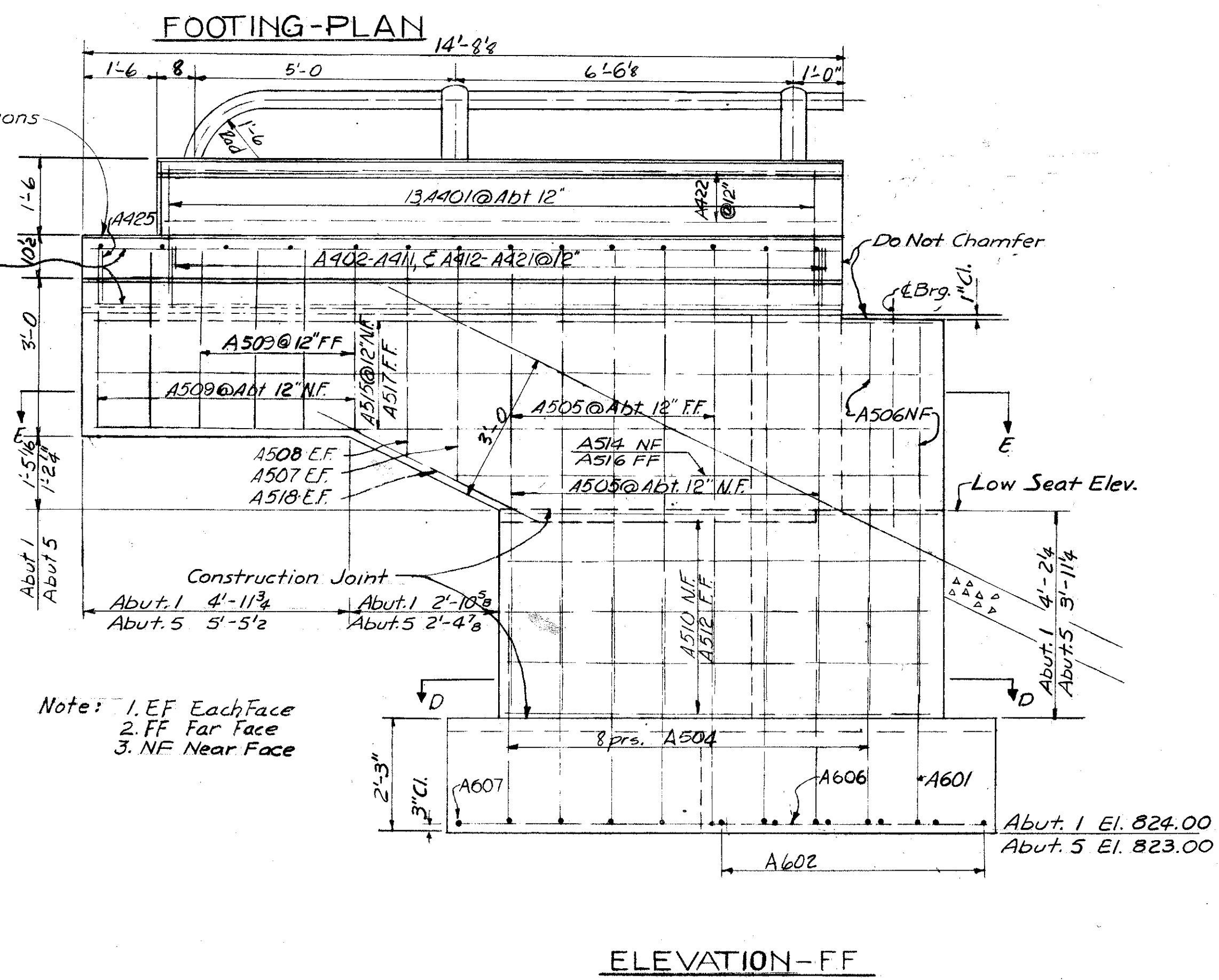


LAKE COUNTY  
LAK-1-26.51  
ASHTABULA COUNTY  
ATB-1-0.00

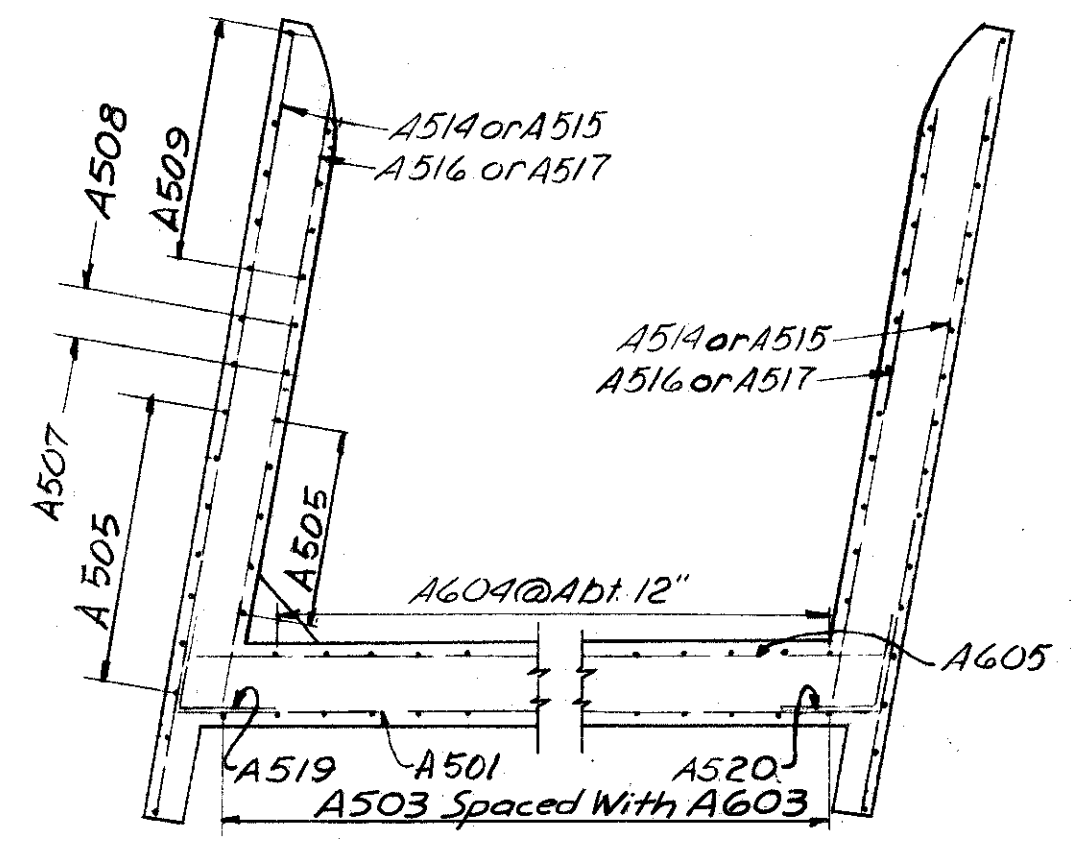
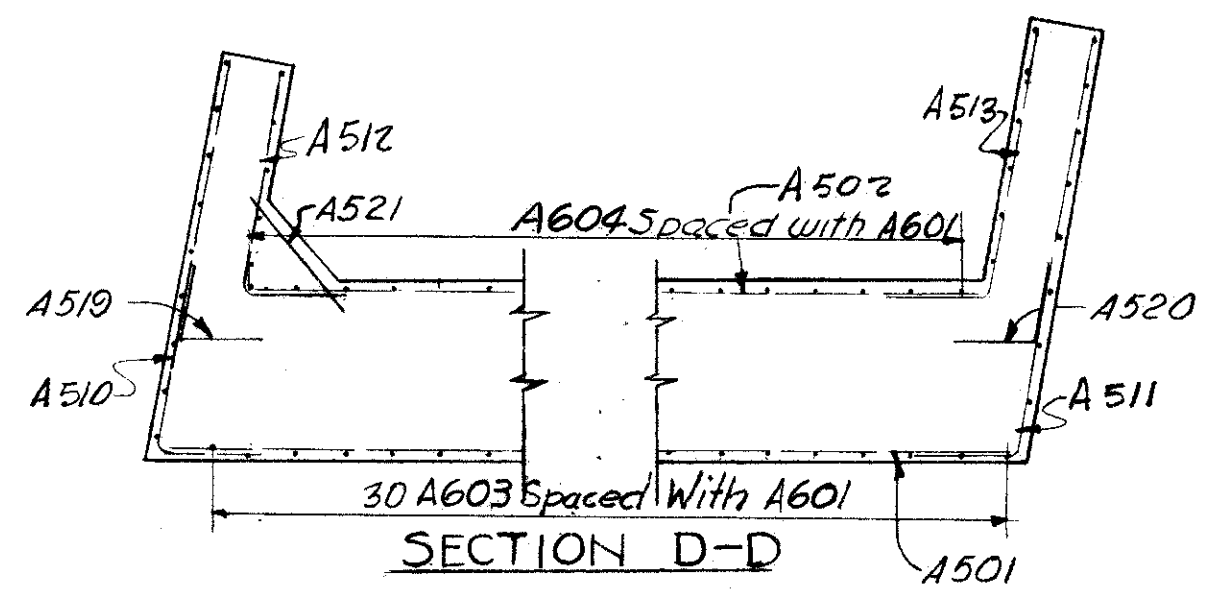


Parapet Concrete included with 5-14 for Payment.

See Plan for Elevations



Note: 1. EF Each Face  
2. FF Far Face  
3. NF Near Face



SECTION E-E

REINFORCING STEEL LIST

BOTH ABUTMENTS

Mark	Length	Shape	No.	Weight	Bar Diagram
A401	5'-8"	Bent	52	197	
A402	5'-8"	Bent	12	45	
A403	5'-6"	Bent	8	29	
A404	5'-4"	Bent	4	14	
A405	5'-2"	Bent	4	14	
A406	5'-0"	Bent	4	13	
A407	4'-9"	Bent	4	13	
A408	4'-6"	Bent	4	12	
A409	4'-3"	Bent	4	11	
A410	3'-7"	Bent	4	10	
A411	3'-3"	Bent	4	9	
A412	4'-0"	Bent	12	32	
A413	3'-10"	Bent	8	20	
A414	3'-8"	Bent	4	10	
A415	3'-6"	Bent	4	9	
A416	3'-4"	Bent	4	9	
A417	3'-1"	Bent	4	8	
A418	2'-10"	Bent	4	8	
A419	2'-7"	Bent	4	7	
A420	2'-4"	Bent	4	6	
A421	2'-0"	Bent	4	5	
A422	12'-10"	Str.	16	137	
A423	10'-0"	Str.	8	53	
A424	14'-2"	Str.	16	151	
A501	30'-0"	Str.	28	876	
A502	27'-8"	Str.	10	289	
A503	9'-0"	Bent	56	526	
A504	6'-6"	Bent	64	434	
A505	8'-10"	Str.	48	442	
A506	7'-8"	Str.	8	64	
A507	4'-4"	Str.	8	36	
A508	3'-10"	Str.	8	32	
A509	3'-5"	Str.	40	143	
A510	10'-0"	Bent	10	104	
A511	10'-0"	Bent	10	104	
A512	6'-0"	Bent	10	63	
A513	7'-2"	Bent	10	75	
A514	9'-4"	Str.	4	39	
A515	16'-0"	Str.	12	200	
A516	7'-4"	Str.	4	31	
A517	11'-10"	Str.	12	148	
A518	4'-3"	Str.	8	35	
A519	4'-6"	Bent	8	38	
A520	4'-6"	Bent	8	38	
A521	4'-0"	Str.	16	67	
A601	9'-0"	Bent	118	1595	
A602	32'-0"	Str.	12	577	
A603	8'-6"	Bent	60	759	
A604	8'-2"	Bent	56	687	
A605	30'-0"	Str.	6	270	
A606	10'-8"	Str.	6	96	
A607	3'-2"	Str.	4	19	
A608	10'-2"	Str.	6	93	
A425	1'-8"	Bent	4	4	
A426	1'-6"	Str.	56	56	
A427	2'-4"	Str.	40	62	
<b>Total</b>				<b>8824</b>	

CHARLES L. BARBER AND ASSOCIATES  
HARRY BALKE ENGINEERS  
TOLEDO, OHIO

ABUTMENT DETAILS

BRIDGE NO. LAK-1-2841  
SR 1 UNDER COUNTY LINE RD.  
LAKE CO. SR 1 STA. 119+07.39

DESIGNED	DRAWN	TRACED	CHECKED	REVIEWED	DATE	REVISED
LTT	MS	A.J.S.	JPR	ACA	8/28/57	