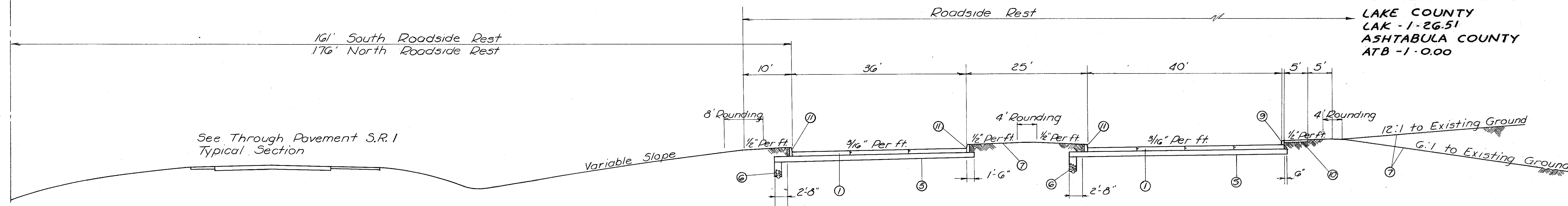


FED. RD. DIVISION	STATE	PROJECT
2	OHIO	I-1103(5)

116
176

LAKE COUNTY
LAK - 1-26.51
ASHTABULA COUNTY
ATB - 1-0.00

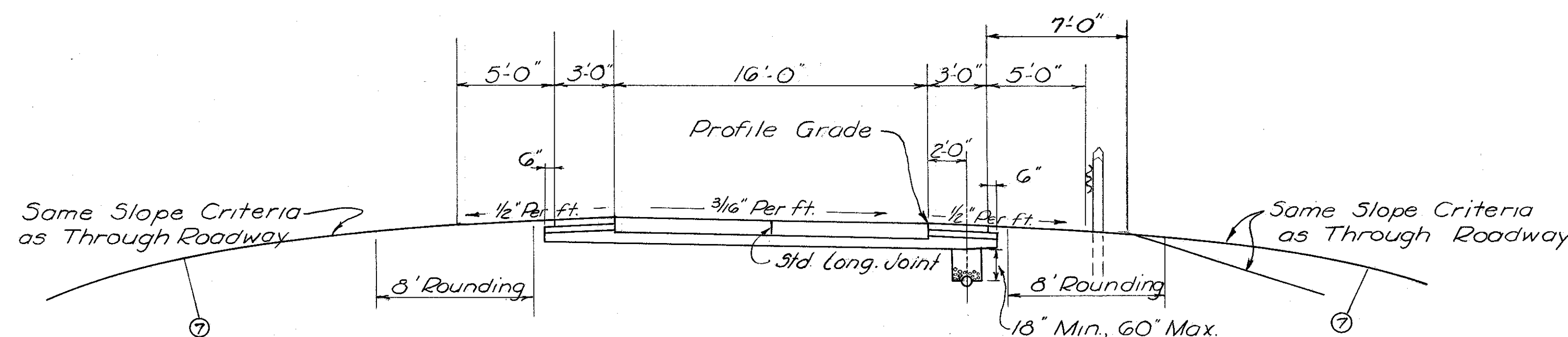


TYPICAL SECTION - ROADSIDE REST

SCALE 1" = 10'

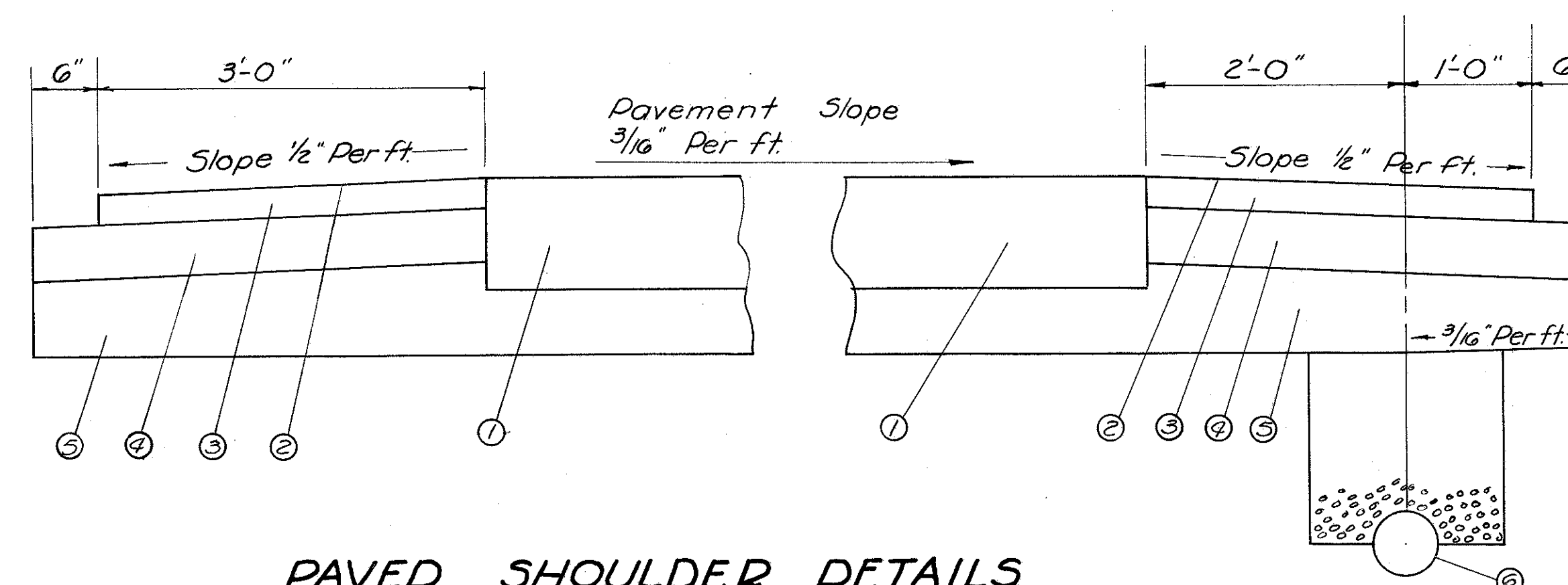
LEGEND

- ① Item T-71, 10" Reinforced Portland Cement Concrete Pavement.
- ② Item T-31, Bituminous Surface Treatment.
- ③ Item B-33, 3" Bituminous Macadam Base Course.
- ④ Item I-18, 5" Stabilized Crushed Aggregate Shoulders and Approaches.
- ⑤ Item I-22, Subbase (Variable Depth).
- ⑥ Item I-4, 6" Pipe Underdrain.
- ⑦ Item L-9, Seeding and Protecting Roadway Areas.
- ⑧ Item I-12, Portland Cement Concrete Curb, Type 6.
- ⑨ Item I-13, Portland Cement Concrete Sidewalk.
- ⑩ Item I-12, Special Portland Cement Concrete Curb.



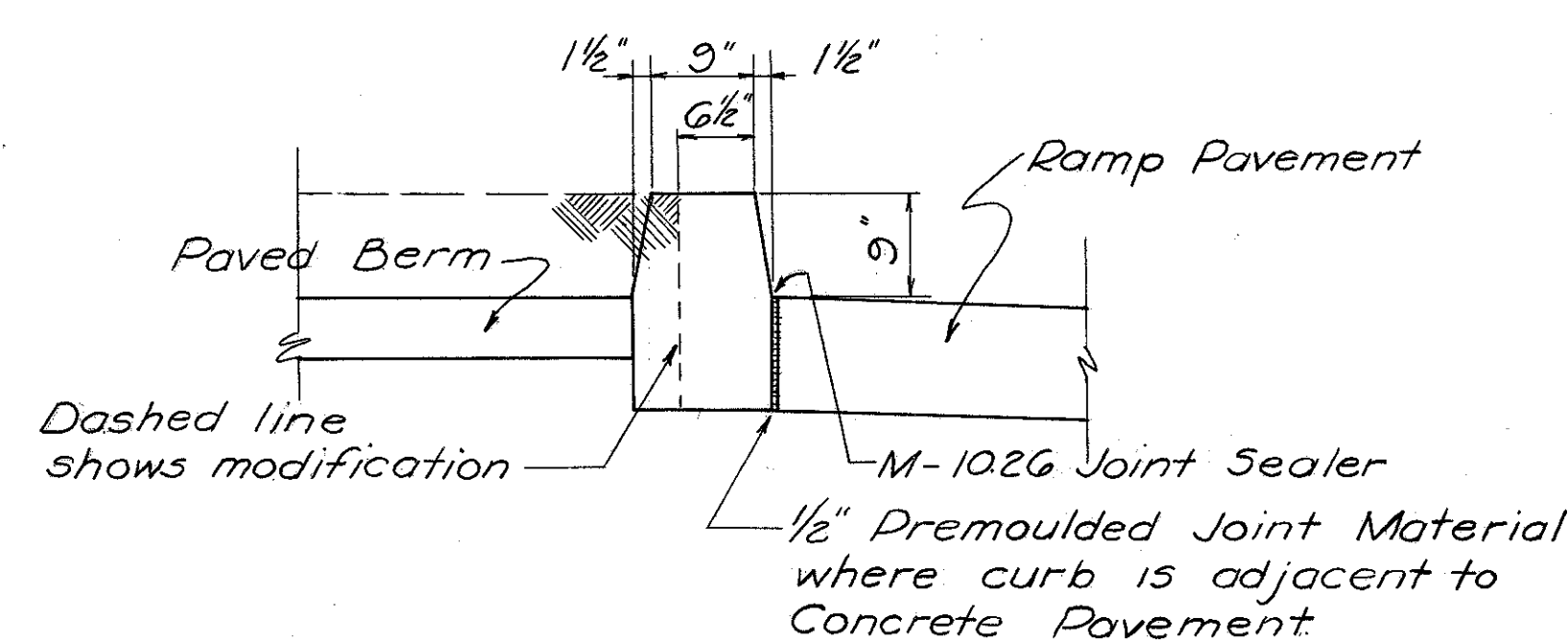
NORMAL RAMP SECTION

SCALE 1" = 5'



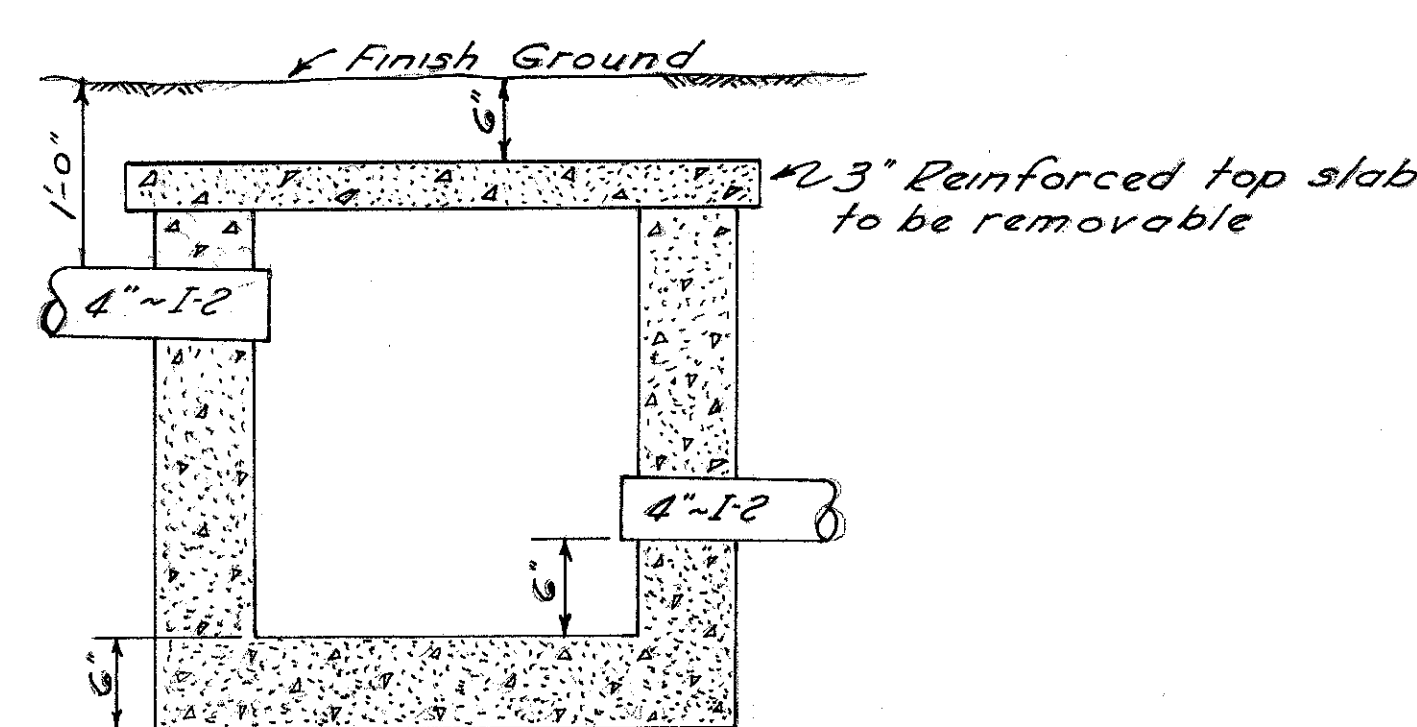
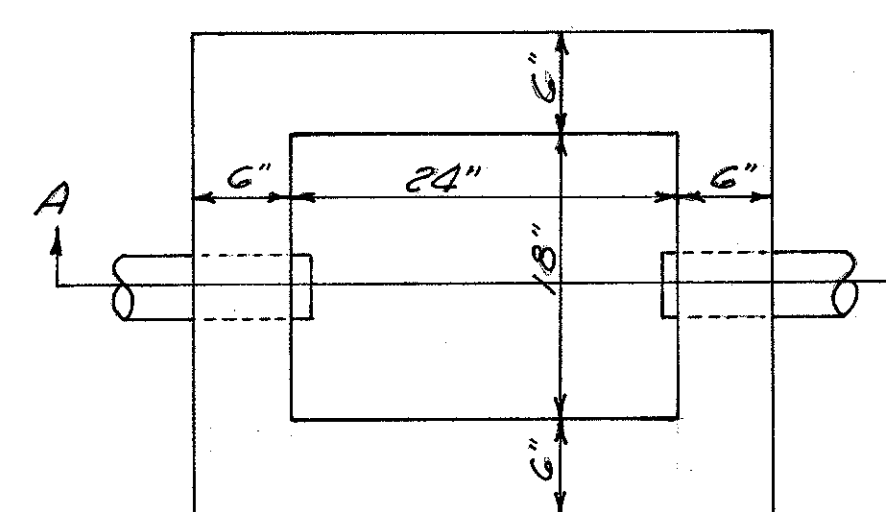
PAVED SHOULDER DETAILS

SCALE 1" = 1'



SPECIAL PORTLAND CEMENT CONCRETE CURB DETAIL

SCALE 3/4" = 1'-0"



TYPE A CATCH BASIN

ROADSIDE REST TYPICAL SECTIONS & SPECIAL DETAILS