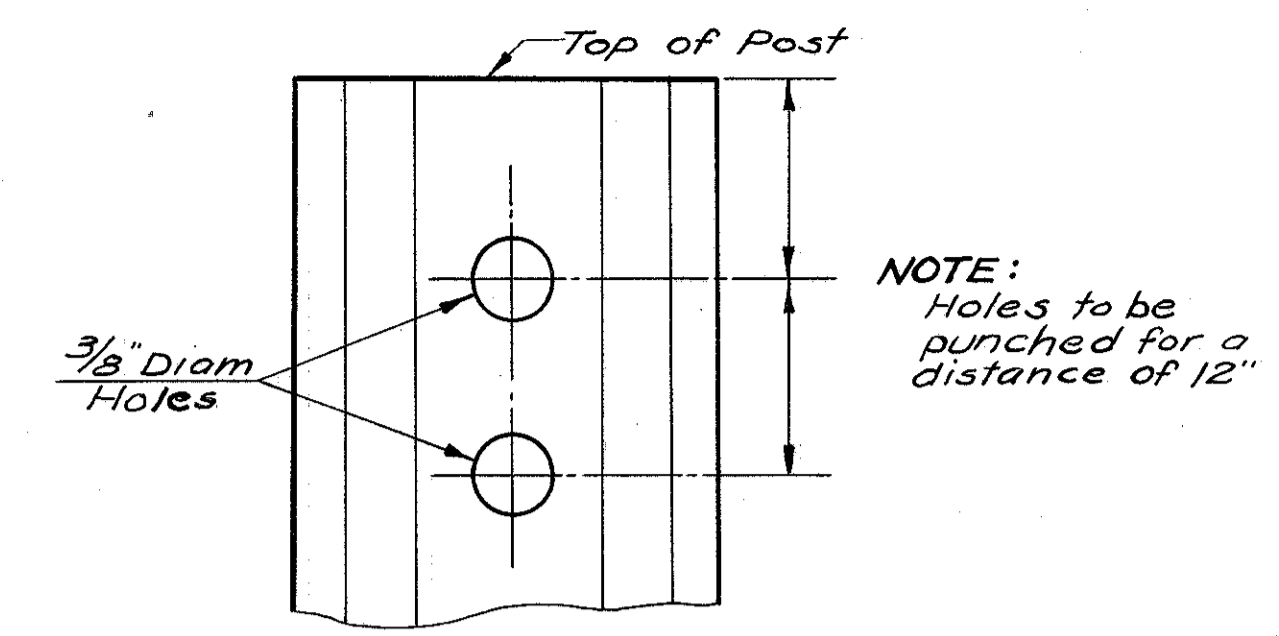


FED. RD. DIVISION	STATE	PROJECT
2	OHIO	I-1103 (15)

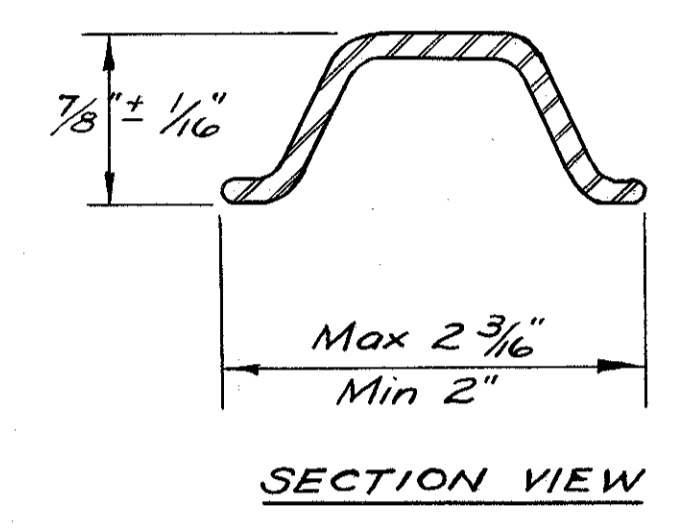
114  
176

LAKE COUNTY  
LAK-1-26.51  
ASHTABULA COUNTY  
ATB-1-0.00



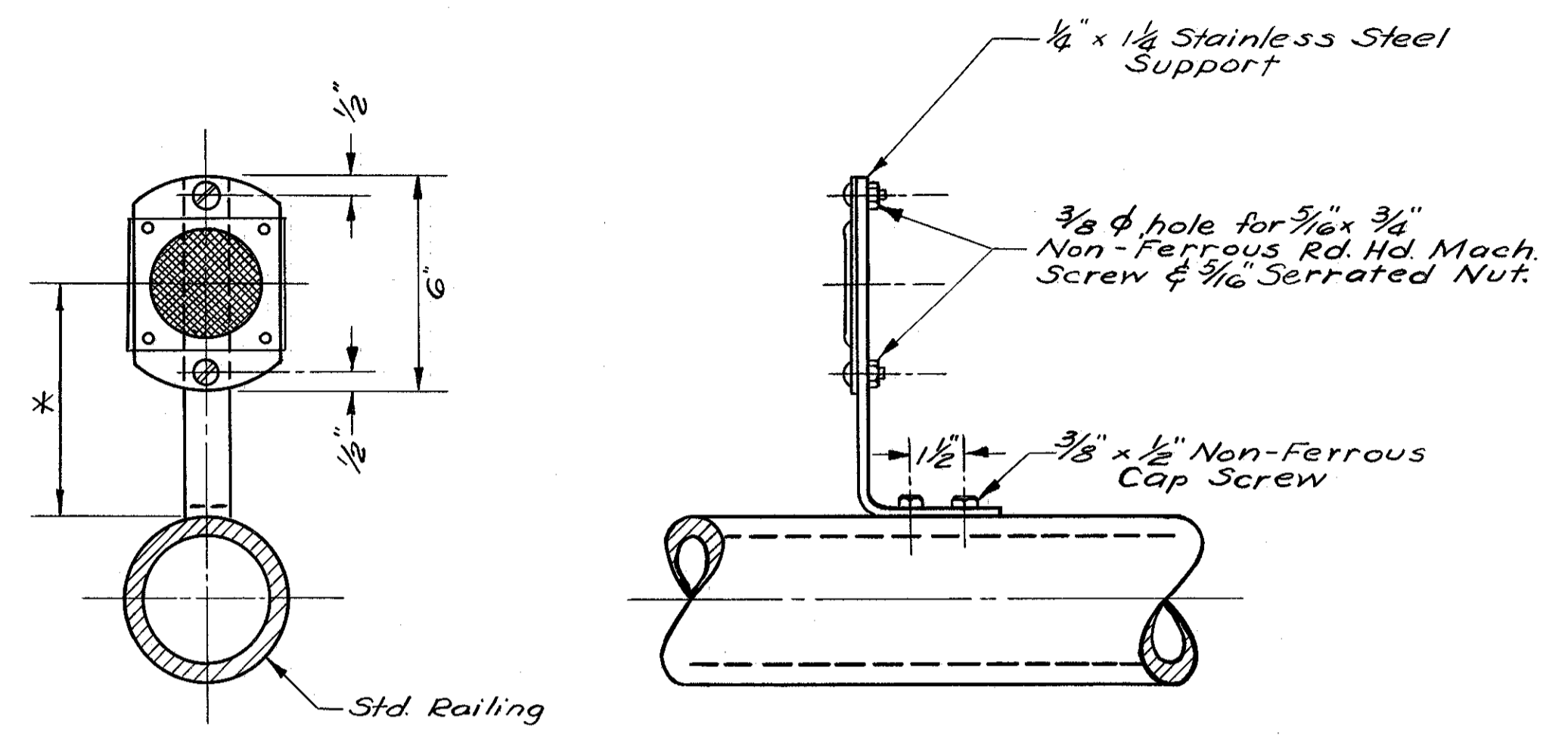
NOTE:  
Holes to be punched for a distance of 12"

Length of Post... 7'-6" ± 1/4"  
No. Holes... 12 per post  
Weight... 1.12 lbs. per foot

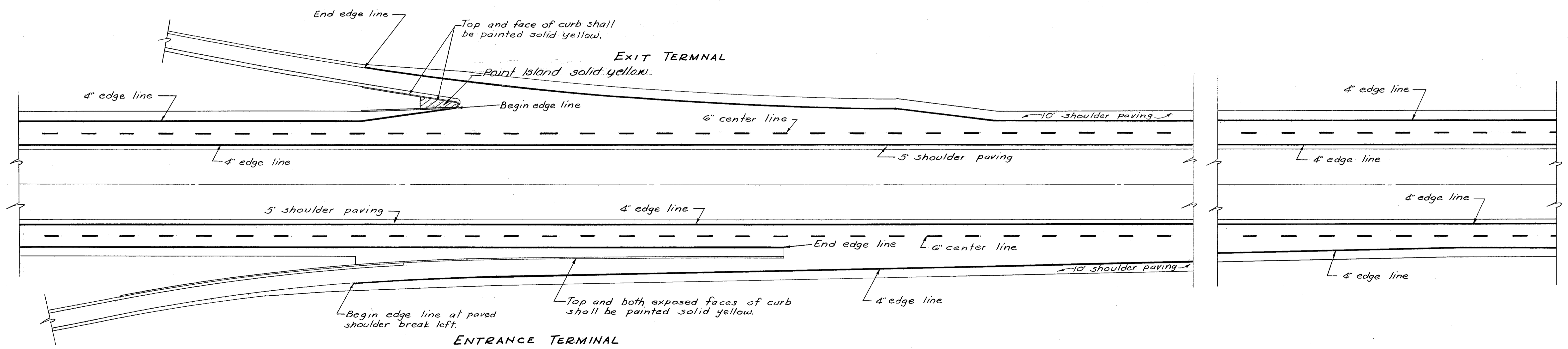


DETAIL OF STEEL DRIVE POST FOR DELINEATOR

\* Length of steel support shall be such that the center of the delineator will be 48" above the elevation of a point in the bridge deck located 12' from the face of the parapet.



DELINEATOR AND BRIDGE RAIL BRACKET  
Scale: 3" = 1'-0"



TYPICAL DRAWING  
EDGE LINE STRIPING  
CENTER LINE STRIPING  
CURB PAINTING  
Scale 1" = 50'